



TMR Medium Profile Heat Reclaim

60
Hz

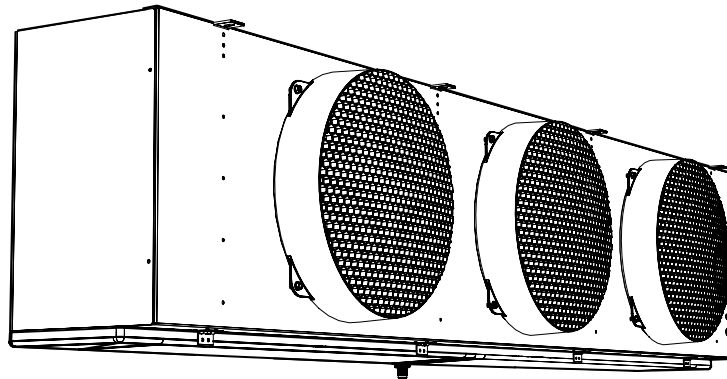
PRODUCT DATA & SPECIFICATIONS

Bulletin T30-TMR-PDS-1
Part # 1109363

Electrical Power:
208-230/1/60, 460/1/60, 575/1/60

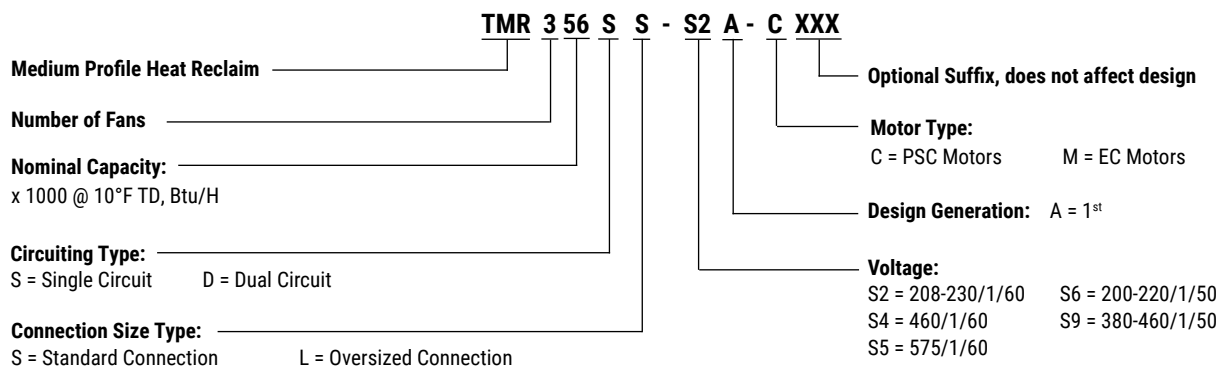
 **PRODUCT SUPPORT**
 web: www.t-rp.com/tmr
 email: evaps@t-rp.com
 call: 1-844-893-3222 x520

scan: 



CONTENTS

	Page
Nomenclature.....	2
Features & Options.....	2
Capacity Data.....	3
Electrical Data.....	3
Specifications.....	3
Wiring Diagrams.....	4 - 6
Dimensional Data/Shipping Weights.....	7
Product Support Resources: Service Parts, Troubleshooting, Warranty, etc.....	BACK



STANDARD FEATURES

- Compatible with Low GWP Refrigerants
- Totally enclosed high efficiency PSC motors
- High efficiency and high strength fan guard
- Hinged access panels
- Ample electrical and header compartments

AVAILABLE OPTIONS

- Wire fan guard
- Corrosion protection: alternate fin materials and coatings
- EC motors
- Additional options available, please contact factory

SELECTION DATA

TMR - MEDIUM PROFILE HEAT RECLAIM

Heat Reclaim Capacity - R404A

Model TMR	Qty. Fans	TD * - MBH (kW)				
		10°F (5.5°C)	20°F (11°C)	30°F (17°C)	40°F (22°C)	50°F (28°C)
118	1	18 (5.3)	36 (10.6)	54 (15.8)	72 (21.1)	90 (26.4)
228	2	28 (8.2)	56 (16.4)	84 (24.6)	112 (32.8)	140 (41.0)
235		35 (10.3)	70 (20.5)	105 (30.8)	140 (41.0)	175 (51.3)
345	3	45 (13.2)	90 (26.4)	135 (39.6)	180 (52.8)	225 (66.0)
356		56 (16.4)	112 (32.8)	168 (49.3)	224 (65.7)	280 (82.1)

* = Condensing Temperature - Entering Air Temperature
Capacity based on standard configuration single circuit

ELECTRICAL DATA

Models with Standard PSC Motors

MODEL TMR	MBH/°TD R404A	Air Flow Rate (CFM)	PSC FAN MOTORS													
			Qty.	HP	S2 - 208-230/1/60				S4 - 460/1/60				S5 - 575/1/60			
					FLA Total	Watts	MCA (A)	Max. Fuse (AMPS)	FLA Total	Watts	MCA (A)	Max. Fuse (AMPS)	FLA Total	Watts	MCA (A)	Max. Fuse (AMPS)
118	1.8	3240	1	1/3	1.7	320	2.1	15	0.9	330	1.1	15	0.7	337	0.9	15
228	2.8	6870	2	1/3	3.4	640	3.8	15	1.8	660	2.0	15	1.4	674	1.6	15
235	3.5	6480	2	1/3	3.4	640	3.8	15	1.8	660	2.0	15	1.4	674	1.6	15
345	4.5	10300	3	1/3	5.1	960	5.5	15	2.7	990	2.9	15	2.1	1011	2.3	15
356	5.6	9720	3	1/3	5.1	960	5.5	15	2.7	990	2.9	15	2.1	1011	2.3	15

Models with Optional EC Motors

MODEL TMR	MBH/°TD R404A	Air Flow Rate (CFM)	EC FAN MOTORS									
			Qty.	HP	S2 - 208-230/1/60				S4 - 460/1/60			
					FLA Total	Watts	MCA (A)	Max. Fuse (AMPS)	FLA Total	Watts	MCA (A)	Max. Fuse (AMPS)
118	1.8	3240	1	1/3	2.6	245	3.3	15	1.0	230	1.3	15
228	2.8	6870	2	1/3	5.2	490	5.9	15	2.0	460	2.5	15
235	3.5	6480	2	1/3	5.2	490	5.9	15	2.0	460	2.5	15
345	4.5	10300	3	1/3	7.8	735	8.5	15	3.0	690	3.8	15
356	5.6	9720	3	1/3	7.8	735	8.5	15	3.0	690	3.8	15

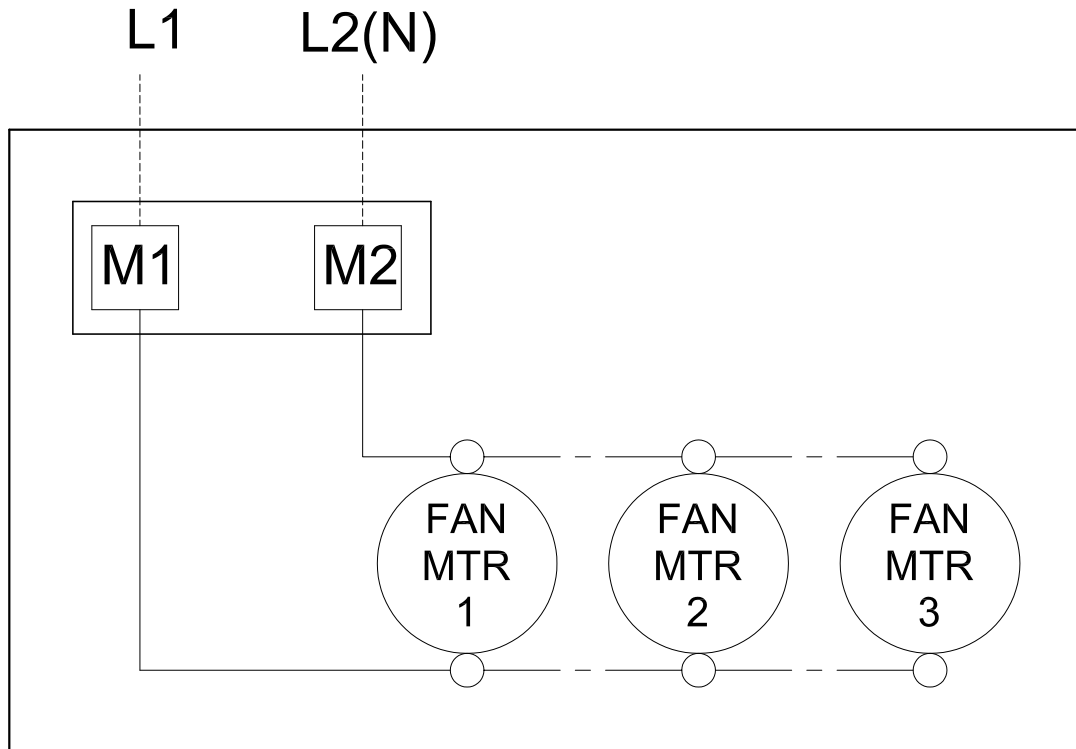
SPECIFICATIONS

Connection Sizes

Model TMR	Qty. Fans	STANDARD CONNECTION		OVERSIZED CONNECTION	
		Inlet IN (mm)	Outlet IN (mm)	Inlet IN (mm)	Outlet IN (mm)
118	1	1 1/8 (28.5)	1 1/8 (28.5)	1 3/8 (35.0)	1 3/8 (35.0)
228	2	1 3/8 (35.0)	1 3/8 (35.0)	1 5/8 (41.3)	1 5/8 (41.3)
235		1 3/8 (35.0)	1 3/8 (35.0)	1 5/8 (41.3)	1 5/8 (41.3)
345	3	1 5/8 (41.3)	1 5/8 (41.3)	2 1/8 (54.0)	2 1/8 (54.0)
356		1 5/8 (41.3)	1 5/8 (41.3)	2 1/8 (54.0)	2 1/8 (54.0)

WIRING DIAGRAM - PSC MOTOR(S)

REFER TO HEAT EXCHANGER NAMEPLATE
FOR ELECTRICAL REQUIREMENTS

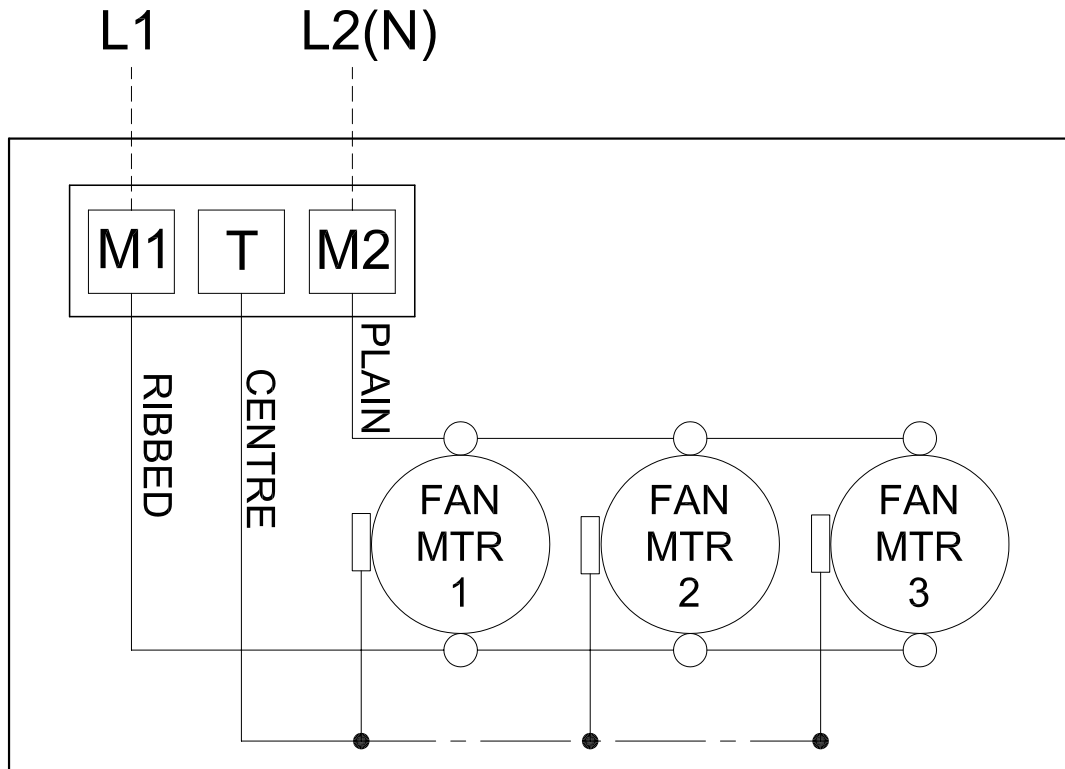


- 1). USE MINIMUM 90°C. COPPER CONDUCTORS ONLY
- 2). ALL FIELD WIRING MUST BE DONE IN COMPLIANCE WITH ALL APPLICABLE LOCAL AND NATIONAL CODES.
- 3). REFER TO PRODUCT DATA & INSTALLATION MANUAL SUPPLIED WITH UNIT FOR OPTIONAL COMPONENT WIRING.

208-230/1/60: Models with Optional EC Motors

WIRING DIAGRAM: EC MOTOR(S) - 230V

REFER TO HEAT EXCHANGER NAMEPLATE FOR ELECTRICAL REQUIREMENTS

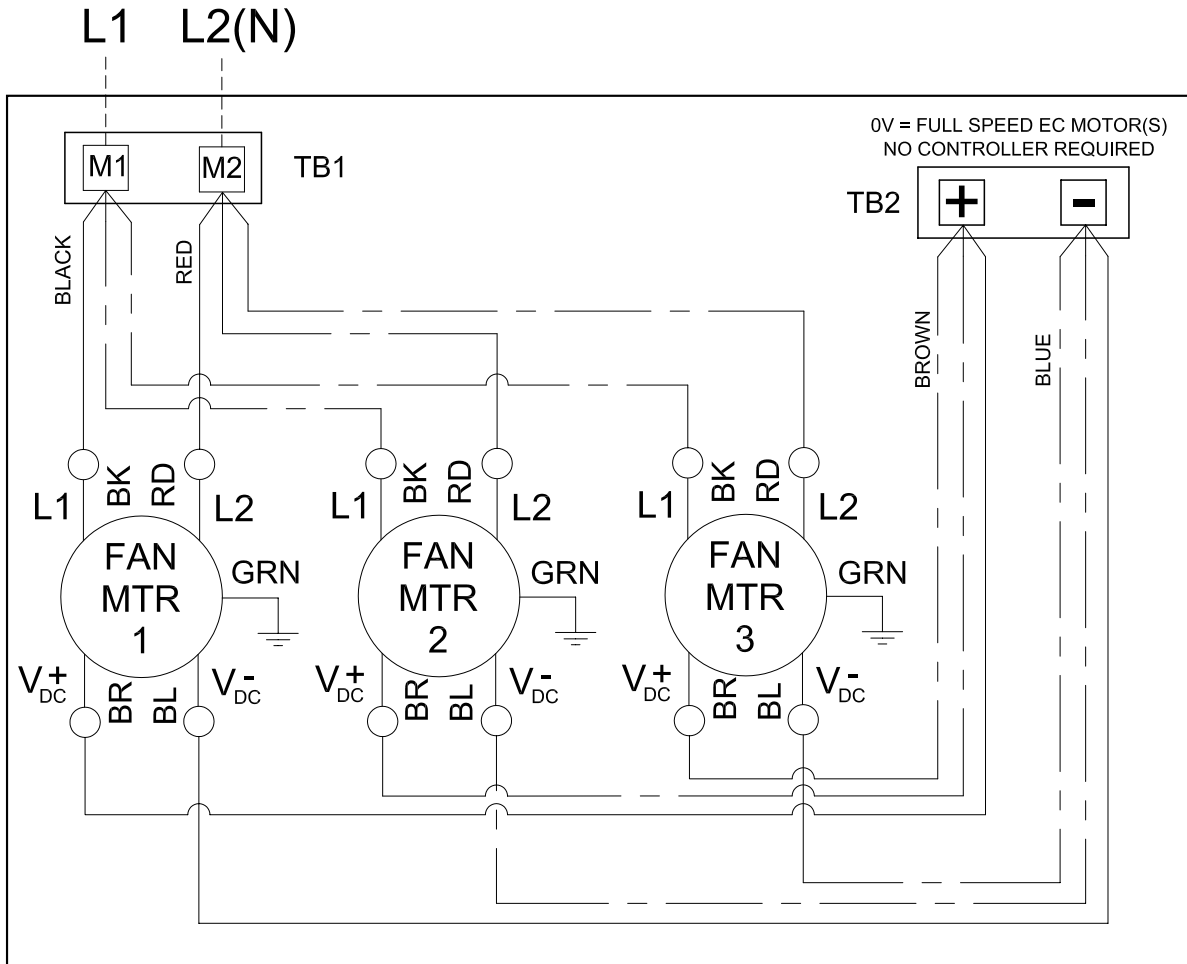


- 1). USE MINIMUM 90°C. COPPER CONDUCTORS ONLY
- 2). ALL FIELD WIRING MUST BE DONE IN COMPLIANCE WITH ALL APPLICABLE LOCAL AND NATIONAL CODES.
- 3). REFER TO PRODUCT DATA & INSTALLATION MANUAL SUPPLIED WITH UNIT FOR OPTIONAL COMPONENT WIRING.

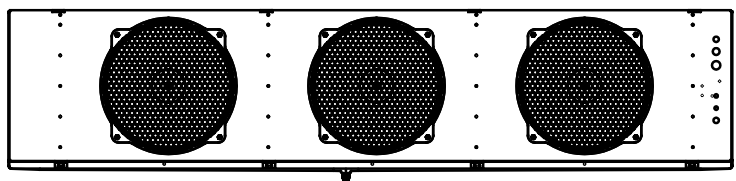
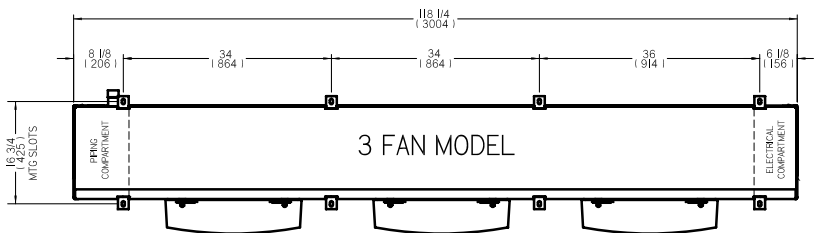
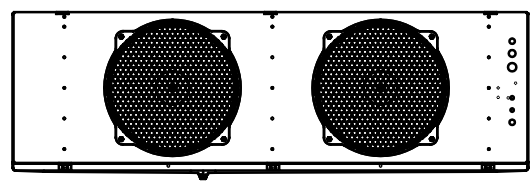
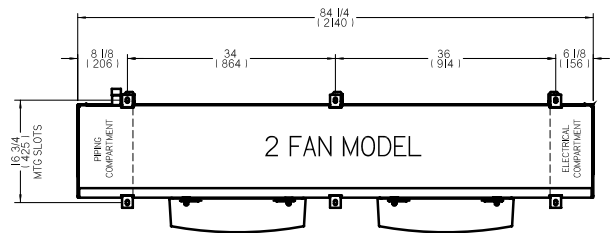
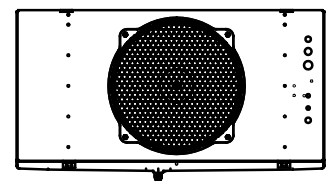
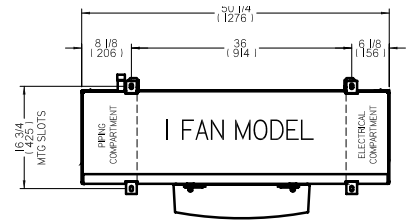
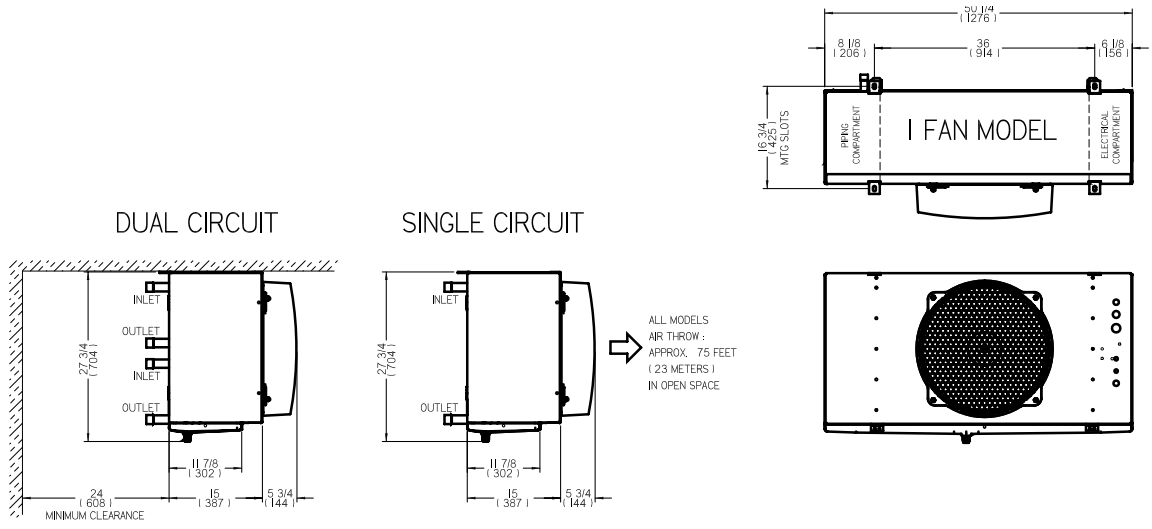
460/1/60: Models with Optional EC Motors

WIRING DIAGRAM: EC MOTOR(S) - 460V

REFER TO HEAT EXCHANGER NAMEPLATE FOR ELECTRICAL REQUIREMENTS



- 1). USE MINIMUM 90°C. COPPER CONDUCTORS ONLY
- 2). ALL FIELD WIRING MUST BE DONE IN COMPLIANCE WITH ALL APPLICABLE LOCAL AND NATIONAL CODES.
- 3). REFER TO PRODUCT DATA & INSTALLATION MANUAL SUPPLIED WITH UNIT FOR OPTIONAL COMPONENT WIRING.



Model TMR	Qty. Fans	SHIPPING WEIGHT	
		LB.	kg.
118	1	161	73
223	2	240	109
235		254	115
345	3	326	148
356		349	158


PRODUCT SUPPORT


web: www.t-rp.com/tmr
email: evaps@t-rp.com
call: 1-844-893-3222 x520


TROUBLESHOOTING


email: troubleshooting@t-rp.com
call: 1-844-893-3222 x529


SERVICE PARTS


web: www.t-rp.com/parts
email: parts@t-rp.com
call: 1-844-893-3222 x520


WARRANTY

web: www.t-rp.com/warranty
email: warranty@t-rp.com
call: 1-844-893-3222 x501


ORDERS

email: orders@t-rp.com
call: 1-844-893-3222 x501


SHIPPING

email: shipping@t-rp.com
call: 1-844-893-3222 x503



Trenton Refrigeration
Brantford, ON • Longview, TX
1-800-463-9517 info@t-rp.com www.t-rp.com

