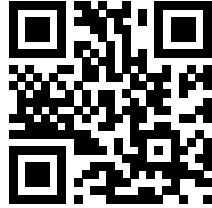




# TMH-LINE CONDENSING UNITS

## PRODUCT DATA & SPECIFICATIONS

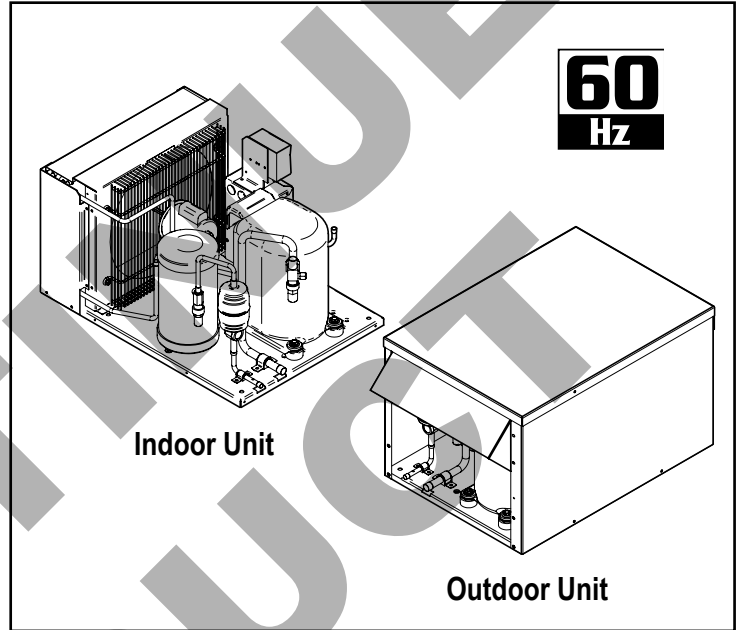


INDOOR/OUTDOOR  
AIR COOLED  
HERMETIC CONDENSING UNITS

1/2 TO 5 HP  
HIGH, MEDIUM AND LOW  
TEMPERATURE REFRIGERATION

Bulletin T40-TMH-PDS-60-3

1079231

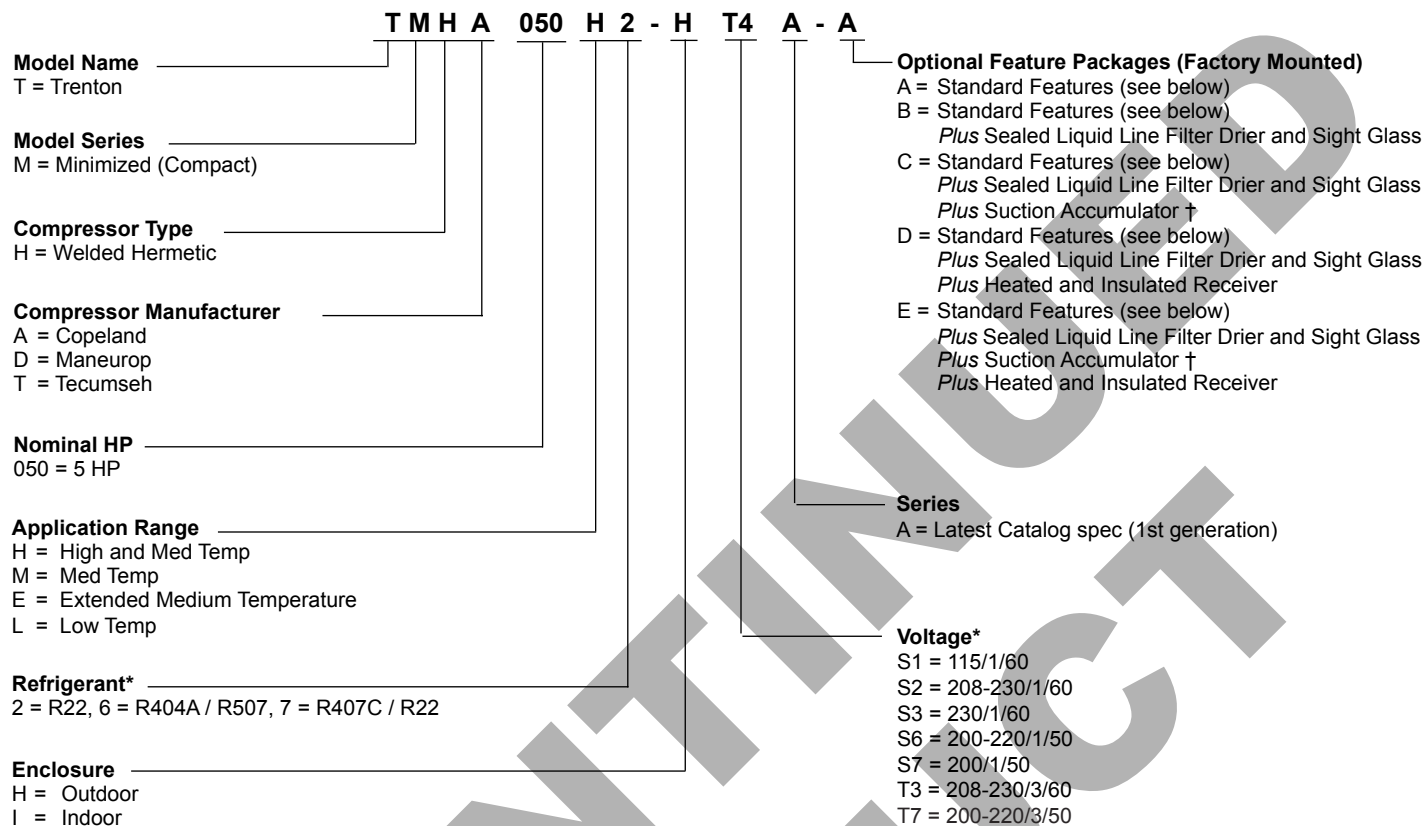


## CONTENTS

	Page
Nomenclature.....	2
Features.....	2
Capacity Data (Imperial and <i>Metric</i> ).....	3 - 14
Electrical Data.....	15 - 17
Dimensional Data.....	18 - 20
Specifications.....	20 - 21
Wiring Diagrams.....	22 - 24
Generic Service Parts List.....	25 - 26
Warranty.....	27
Project Information.....	27
“As Built” Service Parts List.....	BACK

For the latest product updates and further information, visit [www.trentonrefrigeration.com](http://www.trentonrefrigeration.com)

# NOMENCLATURE



\* Subject to compressor availability

† Suction Accumulator Option Available ONLY with 2HP and larger TMHA

## STANDARD FEATURES

- Copeland (H/E/L), Tecumseh (H/M/L) or Maneurop R404A/R507 (M/L) hermetic compressor
- High efficiency PSC fan motors
- Enhanced tube condenser coil
- Copper tubing secured with cushion clamps
- Adjustable low (1 HP and below) or high/low pressure control (above 1 HP)
- Fan guard
- Receiver outlet valve
- Flooded Head Pressure Control (outdoor models)
- Crankcase heater (outdoor models)
- Outdoor weather resistant housing with removable hood (outdoor models)

---

## OPTIONAL FEATURE (Field Mounted)

- Availability of knockdown outdoor cabinet

**CAPACITY DATA - R407C**  
**HIGH TEMPERATURE**

CONDENSING UNIT MODEL	SATURATED SUCTION TEMPERATURE		CAPACITY BTU/H (WATTS) <b>R407C</b> AMBIENT TEMPERATURE °F (°C)							
	°F	°C	80 (26.6)	85 (29.4)	90 (32.2)	95 (35.0)	100 (37.8)	105 (40.6)	110 (43.3)	
TMHA015H7 Compressor Model CR18K6E	45 (7.2)		19100 (5600)	18500 (5420)	17900 (5250)	17200 (5040)	16500 (4840)	15900 (4660)	15200 (4450)	
	40 (4.4)		17400 (5100)	16800 (4920)	16200 (4750)	15500 (4540)	14900 (4370)	14400 (4220)	13800 (4040)	
	35 (1.7)		15800 (4630)	15200 (4450)	14600 (4280)	14100 (4130)	13400 (3930)	12900 (3780)	12300 (3600)	
	30 (-1.1)		14200 (4160)	13700 (4020)	13100 (3840)	12600 (3690)	12100 (3550)	11600 (3400)	11000 (3220)	
	25 (-3.9)		12700 (3720)	12200 (3580)	11700 (3430)	11200 (3280)	10700 (3140)	10200 (2990)	9700 (2840)	
	20 (-6.7)		11200 (3280)	10800 (3170)	10350 (3030)	9870 (2890)	9410 (2760)	8950 (2620)	8480 (2490)	
	15 (-9.4)		9900 (2900)	9480 (2780)	9050 (2650)	8620 (2530)	8180 (2400)	7740 (2270)	7310 (2140)	
10 (-12.2)		8610 (2520)	8220 (2410)	7820 (2290)	7410 (2170)	6990 (2050)	6590 (1930)	6200 (1820)		
TMHA020H7 Compressor Model CR24K6E	45 (7.2)		25700 (7530)	24900 (7300)	24000 (7030)	23200 (6800)	22300 (6540)	21400 (6270)	20600 (6040)	
	40 (4.4)		23300 (6830)	22600 (6620)	21700 (6360)	21000 (6150)	20200 (5920)	19300 (5660)	18500 (5420)	
	35 (1.7)		21100 (6180)	20400 (5980)	19600 (5740)	18900 (5540)	18100 (5300)	17300 (5070)	16600 (4860)	
	30 (-1.1)		19000 (5570)	18300 (5360)	17500 (5130)	16900 (4950)	16200 (4750)	15400 (4510)	14700 (4310)	
	25 (-3.9)		16900 (4950)	16300 (4780)	15600 (4570)	15000 (4400)	14300 (4190)	13700 (4020)	13000 (3810)	
	20 (-6.7)		15000 (4400)	14400 (4220)	13900 (4070)	13200 (3870)	12600 (3690)	12000 (3520)	11300 (3310)	
	15 (-9.4)		13200 (3870)	12600 (3690)	12100 (3550)	11600 (3400)	10900 (3190)	10360 (3040)	9800 (2870)	
10 (-12.2)		11400 (3340)	10900 (3190)	10430 (3060)	9890 (2900)	9370 (2750)	8840 (2590)	8310 (2440)		
TMHA025H7 Compressor Model CR32K6E	45 (7.2)		33700 (9880)	32600 (9550)	31400 (9200)	30300 (8880)	29200 (8560)	28000 (8210)	26900 (7880)	
	40 (4.4)		30600 (8970)	29500 (8650)	28500 (8350)	27400 (8030)	26400 (7740)	25300 (7410)	24300 (7120)	
	35 (1.7)		27600 (8090)	26700 (7820)	25700 (7530)	24700 (7240)	23700 (6950)	22700 (6650)	21700 (6360)	
	30 (-1.1)		24900 (7300)	23900 (7000)	23000 (6740)	22200 (6510)	21200 (6210)	20300 (5950)	19300 (5660)	
	25 (-3.9)		22300 (6540)	21400 (6270)	20500 (6010)	19600 (5740)	18800 (5510)	18000 (5280)	17000 (4980)	
	20 (-6.7)		19700 (5770)	18900 (5540)	18200 (5330)	17300 (5070)	16500 (4840)	15800 (4630)	14900 (4370)	
	15 (-9.4)		17300 (5070)	16600 (4860)	15900 (4660)	15100 (4430)	14400 (4220)	13500 (3960)	12800 (3750)	
10 (-12.2)		15000 (4400)	14400 (4220)	13700 (4020)	13000 (3810)	12300 (3600)	11600 (3400)	10900 (3190)		
TMHA031H7 Compressor Model CR38K6E	45 (7.2)		38900 (11400)	37300 (10930)	35700 (10460)	34100 (9990)	32400 (9500)	30900 (9060)	29200 (8560)	
	40 (4.4)		35300 (10350)	33800 (9910)	32200 (9440)	30800 (9030)	29200 (8560)	27600 (8090)	26100 (7650)	
	35 (1.7)		31800 (9320)	30500 (8940)	29000 (8500)	27500 (8060)	26100 (7650)	24700 (7240)	23200 (6800)	
	30 (-1.1)		28600 (8380)	27200 (7970)	25800 (7560)	24600 (7210)	23200 (6800)	21800 (6390)	20500 (6010)	
	25 (-3.9)		25400 (7440)	24200 (7090)	22900 (6710)	21600 (6330)	20400 (5980)	19100 (5600)	17900 (5250)	
	20 (-6.7)		22500 (6590)	21300 (6240)	20200 (5920)	18900 (5540)	17700 (5190)	16600 (4860)	15400 (4510)	
	15 (-9.4)		19600 (5740)	18600 (5450)	17400 (5100)	16400 (4810)	15200 (4450)	14200 (4160)	13000 (3810)	
10 (-12.2)		16900 (4950)	15900 (4660)	14900 (4370)	13900 (4070)	12800 (3750)	11800 (3460)	10700 (3140)		
TMHA035H7 Compressor Model CR42K6E	45 (7.2)		41600 (12190)	39900 (11690)	38100 (11170)	36300 (10640)	34500 (10110)	32900 (9640)	31100 (9110)	
	40 (4.4)		37900 (11110)	36200 (10610)	34500 (10110)	32900 (9640)	31200 (9140)	29500 (8650)	27800 (8150)	
	35 (1.7)		34200 (10020)	32700 (9580)	31200 (9140)	29500 (8650)	27900 (8180)	26400 (7740)	24800 (7270)	
	30 (-1.1)		30800 (9030)	29300 (8590)	27800 (8150)	26400 (7740)	24900 (7300)	23300 (6830)	21800 (6390)	
	25 (-3.9)		27500 (8060)	26000 (7620)	24700 (7240)	23300 (6830)	21800 (6390)	20500 (6010)	19100 (5600)	
	20 (-6.7)		24300 (7120)	23000 (6740)	21700 (6360)	20400 (5980)	19000 (5570)	17700 (5190)	16500 (4840)	
	15 (-9.4)		21200 (6210)	20100 (5890)	18800 (5510)	17500 (5130)	16400 (4810)	15100 (4430)	13900 (4070)	
10 (-12.2)		18300 (5360)	17200 (5040)	16100 (4720)	14900 (4370)	13800 (4040)	12600 (3690)	11400 (3340)		
TMHA040H7 Compressor Model CR53KQE	45 (7.2)		58200 (17060)	55800 (16350)	53300 (15620)	50900 (14920)	48500 (14210)	46000 (13480)	43600 (12780)	
	40 (4.4)		52600 (15420)	50400 (14770)	48100 (14100)	45900 (13450)	43500 (12750)	41200 (12070)	38900 (11400)	
	35 (1.7)		47400 (13890)	45300 (13280)	43200 (12660)	41000 (12020)	38900 (11400)	36600 (10730)	34400 (10080)	
	30 (-1.1)		42300 (12400)	40400 (11840)	38400 (11250)	36400 (10670)	34400 (10080)	32300 (9470)	30300 (8880)	
	25 (-3.9)		37700 (11050)	35900 (10520)	34000 (9960)	32100 (9410)	30200 (8850)	28400 (8320)	26500 (7770)	
	20 (-6.7)		33300 (9760)	31600 (9260)	29800 (8730)	28000 (8210)	26300 (7710)	24600 (7210)	22800 (6680)	
	15 (-9.4)		29000 (8500)	27400 (8030)	25800 (7560)	24300 (7120)	22600 (6620)	20900 (6130)	19300 (5660)	
10 (-12.2)		25000 (7330)	23500 (6890)	22100 (6480)	20500 (6010)	18900 (5540)	17400 (5100)	15900 (4660)		
TMHA050H7 Compressor Model CRNQ-050E	45 (7.2)		66600 (19520)	63800 (18700)	61100 (17910)	58300 (17090)	55500 (16270)	52700 (15440)	50000 (14650)	
	40 (4.4)		61100 (17910)	58600 (17170)	56000 (16410)	53300 (15620)	50700 (14860)	48100 (14100)	45500 (13330)	
	35 (1.7)		55800 (16350)	53300 (15620)	50800 (14890)	48400 (14180)	46000 (13480)	43600 (12780)	41200 (12070)	
	30 (-1.1)		50500 (14800)	48200 (14130)	45900 (13450)	43700 (12810)	41400 (12130)	39200 (11490)	37000 (10840)	
	25 (-3.9)		45400 (13310)	43200 (12660)	41100 (12050)	39000 (11430)	37000 (10840)	34900 (10230)	32900 (9640)	
	20 (-6.7)		40400 (11840)	38400 (11250)	36500 (10700)	34500 (10110)	32700 (9580)	30800 (9030)	29000 (8500)	
	15 (-9.4)		35800 (10490)	33900 (9940)	32100 (9410)	30300 (8880)	28700 (8410)	26900 (7880)	25300 (7410)	
10 (-12.2)		31400 (9200)	29700 (8700)	28000 (8210)	26500 (7770)	24800 (7270)	23300 (6830)	21800 (6390)		

NOTES: - Above ratings are based on mean temperature. - To convert to dew point ratings, use 0.95 multiplier.

**CAPACITY DATA - R404A R507**  
**EXTENDED MEDIUM TEMPERATURE**

CONDENSING UNIT MODEL	SATURATED SUCTION TEMPERATURE		CAPACITY BTU/H (WATTS)						R404A R507		AMBIENT TEMPERATURE °F (°C)	
	°F	°C	80 (26.6)	85 (29.4)	90 (32.2)	95 (35.0)	100 (37.8)	105 (40.6)	110 (43.3)			
TMHA006E6 Compressor Model RST45C1E *	30	(-1.1)	7520 (2204)	7090 (2078)	6640 (1946)	6220 (1823)	5800 (1700)	5380 (1577)	4970 (1457)			
	25	(-3.9)	6920 (2028)	6510 (1908)	6120 (1794)	5730 (1679)	5340 (1565)	4950 (1451)	4580 (1342)			
	20	(-6.7)	6320 (1852)	5950 (1744)	5590 (1638)	5230 (1533)	4880 (1430)	4530 (1328)	4190 (1228)			
	15	(-9.4)	5740 (1682)	5400 (1583)	5070 (1486)	4750 (1392)	4430 (1298)	4110 (1205)	3790 (1111)			
	10	(-12.2)	5170 (1515)	4860 (1424)	4560 (1336)	4270 (1251)	3980 (1166)	3690 (1081)	3410 (999)			
	5	(-15.0)	4620 (1354)	4350 (1275)	4080 (1196)	3810 (1117)	3540 (1038)	3280 (961)	3020 (885)			
	0	(-17.8)	4100 (1202)	3850 (1128)	3610 (1058)	3370 (988)	3120 (914)	2880 (844)	2650 (777)			
	-5	(-20.6)	3511 (1029)	3288 (964)	3065 (898)	2862 (839)	2638 (773)	2425 (711)	2212 (648)			
	-10	(-23.3)	3056 (895)	2871 (842)	2668 (782)	2464 (722)	2270 (665)	2066 (605)	1872 (549)			
	-15	(-26.1)	2658 (779)	2474 (725)	2299 (674)	2105 (617)	1930 (566)	1736 (509)	1552 (455)			
-20	(-28.9)	2289 (671)	2124 (623)	1959 (574)	1775 (520)	1610 (472)	1426 (418)	1251 (367)				
-25	(-31.7)	1969 (577)	1804 (529)	1649 (483)	1484 (435)	1319 (387)	1135 (333)	970 (284)				
TMHA008E6 Compressor Model RST55C1E *	30	(-1.1)	9140 (2679)	8620 (2526)	8100 (2374)	7580 (2222)	7080 (2075)	6570 (1926)	6080 (1782)			
	25	(-3.9)	8390 (2459)	7920 (2321)	7440 (2181)	6960 (2040)	6500 (1905)	6040 (1770)	5580 (1635)			
	20	(-6.7)	7670 (2248)	7230 (2119)	6800 (1993)	6360 (1864)	5930 (1738)	5500 (1612)	5090 (1492)			
	15	(-9.4)	6970 (2043)	6560 (1923)	6160 (1805)	5770 (1691)	5370 (1574)	4990 (1462)	4590 (1345)			
	10	(-12.2)	6290 (1843)	5920 (1735)	5550 (1627)	5190 (1521)	4830 (1416)	4470 (1310)	4120 (1208)			
	5	(-15.0)	5630 (1650)	5290 (1550)	4960 (1454)	4620 (1354)	4300 (1260)	3980 (1166)	3660 (1073)			
	0	(-17.8)	5020 (1471)	4710 (1380)	4400 (1290)	4090 (1199)	3790 (1111)	3490 (1023)	3200 (938)			
	-5	(-20.6)	4297 (1259)	4016 (1177)	3744 (1097)	3473 (1018)	3211 (941)	2939 (861)	2677 (785)			
	-10	(-23.3)	3754 (1100)	3511 (1029)	3259 (955)	3007 (882)	2755 (807)	2522 (739)	2280 (668)			
	-15	(-26.1)	3269 (958)	3036 (889)	2803 (822)	2580 (757)	2347 (688)	2115 (620)	1901 (557)			
-20	(-28.9)	2813 (825)	2609 (764)	2386 (699)	2173 (637)	1959 (574)	1736 (509)	1533 (449)				
-25	(-31.7)	2415 (708)	2221 (651)	2008 (589)	1795 (526)	1601 (469)	1397 (409)	1203 (352)				
TMHA009E6 Compressor Model RST64C1E *	30	(-1.1)	10640 (3118)	10090 (2957)	9550 (2799)	8990 (2635)	8440 (2474)	7880 (2309)	7310 (2142)			
	25	(-3.9)	9800 (2872)	9300 (2726)	8790 (2576)	8280 (2427)	7770 (2277)	7250 (2125)	6740 (1975)			
	20	(-6.7)	8980 (2632)	8520 (2497)	8050 (2359)	7590 (2225)	7120 (2087)	6650 (1949)	6180 (1811)			
	15	(-9.4)	8190 (2400)	7770 (2277)	7340 (2151)	6920 (2028)	6490 (1902)	6060 (1776)	5620 (1647)			
	10	(-12.2)	7440 (2181)	7050 (2066)	6650 (1949)	6270 (1838)	5880 (1723)	5490 (1609)	5100 (1495)			
	5	(-15.0)	6710 (1967)	6360 (1864)	5990 (1756)	5640 (1653)	5280 (1547)	4930 (1445)	4570 (1339)			
	0	(-17.8)	6000 (1758)	5690 (1668)	5360 (1571)	5040 (1477)	4720 (1383)	4400 (1290)	4070 (1193)			
	-5	(-20.6)	5180 (1518)	4889 (1433)	4608 (1350)	4317 (1265)	4035 (1182)	3754 (1100)	3473 (1018)			
	-10	(-23.3)	4559 (1336)	4297 (1259)	4026 (1180)	3773 (1106)	3521 (1032)	3259 (955)	3007 (882)			
	-15	(-26.1)	3967 (1163)	3715 (1089)	3473 (1018)	3250 (953)	3007 (882)	2774 (813)	2561 (751)			
-20	(-28.9)	3395 (995)	3172 (929)	2949 (864)	2735 (801)	2522 (739)	2309 (677)	2105 (617)				
-25	(-31.7)	2862 (839)	2648 (776)	2435 (714)	2241 (657)	2047 (599)	1853 (543)	1668 (489)				
TMHA010E6 Compressor Model RST70C1E *	30	(-1.1)	11120 (3260)	10650 (3120)	10200 (2990)	9720 (2850)	9250 (2710)	8690 (2550)	8190 (2400)			
	25	(-3.9)	10280 (3010)	9860 (2890)	9430 (2760)	8930 (2620)	8490 (2490)	8040 (2360)	7580 (2220)			
	20	(-6.7)	9400 (2750)	9010 (2640)	8610 (2520)	8220 (2410)	7810 (2290)	7400 (2170)	6970 (2040)			
	15	(-9.4)	8600 (2520)	8240 (2410)	7880 (2310)	7520 (2200)	7140 (2090)	6770 (1980)	6310 (1850)			
	10	(-12.2)	7820 (2290)	7490 (2200)	7160 (2100)	6780 (1990)	6440 (1890)	6090 (1780)	5730 (1680)			
	5	(-15.0)	7020 (2060)	6730 (1970)	6420 (1880)	6110 (1790)	5800 (1700)	5480 (1610)	5150 (1510)			
	0	(-17.8)	6290 (1840)	6030 (1770)	5750 (1690)	5460 (1600)	5180 (1520)	4880 (1430)	4590 (1350)			
	-5	(-20.6)	5600 (1640)	5350 (1570)	5100 (1490)	4840 (1420)	4550 (1330)	4280 (1250)	4010 (1180)			
	-10	(-23.3)	4910 (1440)	4690 (1370)	4460 (1310)	4220 (1240)	3980 (1170)	3740 (1100)	3480 (1020)			
	-15	(-26.1)	4310 (1260)	4090 (1200)	3880 (1140)	3670 (1080)	3440 (1010)	3210 (940)	2990 (880)			
-20	(-28.9)	3730 (1090)	3540 (1040)	3340 (980)	3140 (920)	2940 (860)	2730 (800)	2490 (730)				
-25	(-31.7)	3200 (940)	3030 (890)	2830 (830)	2650 (780)	2450 (720)	2260 (660)	2060 (600)				
TMHA016E6 Compressor Model CS10K6E	30	(-1.1)	17500 (5129)	16400 (4807)	15400 (4513)	14400 (4220)	13400 (3927)	12400 (3634)	11400 (3341)			
	25	(-3.9)	16000 (4689)	15100 (4426)	14100 (4132)	13200 (3869)	12200 (3576)	11300 (3312)	10400 (3048)			
	20	(-6.7)	14600 (4279)	13700 (4015)	12900 (3781)	12000 (3517)	11100 (3253)	10200 (2989)	9390 (2752)			
	15	(-9.4)	13200 (3869)	12400 (3634)	11600 (3400)	10800 (3165)	9970 (2922)	9180 (2691)	8380 (2456)			
	10	(-12.2)	11800 (3458)	11100 (3253)	10300 (3019)	9570 (2805)	8840 (2591)	8110 (2377)	7370 (2160)			
	5	(-15.0)	10400 (3048)	9750 (2858)	9060 (2655)	8390 (2459)	7710 (2260)	7050 (2066)	6380 (1870)			
	0	(-17.8)	9110 (2670)	8480 (2485)	7860 (2304)	7240 (2122)	6630 (1943)	6020 (1764)	5410 (1586)			
	-5	(-20.6)	7595 (2226)	7052 (2067)	6509 (1908)	5966 (1748)	5422 (1589)	4879 (1430)	4336 (1271)			
	-10	(-23.3)	6431 (1885)	5946 (1743)	5451 (1598)	4957 (1453)	4462 (1308)	3977 (1166)	3482 (1020)			
	-15	(-26.1)	5354 (1569)	4918 (1441)	4472 (1310)	4035 (1182)	3589 (1051)	3133 (919)	2687 (788)			
-20	(-28.9)	4384 (1285)	3996 (1172)	3599 (1054)	3201 (938)	2794 (819)	2386 (699)	1979 (580)				
-25	(-31.7)	3550 (1041)	3201 (938)	2842 (833)	2474 (725)	2105 (617)	1736 (509)	1358 (398)				
TMHA021E6 Compressor Model CS12K6E	30	(-1.1)	22600 (6624)	21400 (6272)	20100 (5891)	18900 (5539)	17700 (5188)	16500 (4836)	15300 (4484)			
	25	(-3.9)	20400 (5979)	19300 (5657)	18200 (5334)	17100 (5012)	15900 (4660)	14800 (4338)	13700 (4015)			
	20	(-6.7)	18400 (5393)	17400 (5100)	16300 (4777)	15300 (4484)	14200 (4162)	13200 (3869)	12200 (3576)			
	15	(-9.4)	16500 (4836)	15500 (4543)	14600 (4279)	13600 (3986)	12700 (3722)	11700 (3429)	10800 (3165)			
	10	(-12.2)	14700 (4308)	13800 (4045)	12900 (3781)	12000 (3517)	11200 (3283)	10300 (3019)	9420 (2761)			
	5	(-15.0)	13000 (3810)	12200 (3576)	11400 (3341)	10500 (3077)	9730 (2852)	8950 (2623)	8160 (2392)			
	0	(-17.8)	11400 (3341)	10600 (3107)	9870 (2893)	9130 (2676)	8390 (2459)	7680 (2251)	6970 (2043)			
	-5	(-20.6)	9584 (2809)	8885 (2604)	8216 (2408)	7556 (2215)	6916 (2027)	6286 (1842)	5665 (1661)			
	-10	(-23.3)	8187 (2400)	7537 (2209)	6916 (2027)	6315 (1851)	5733 (1680)	5170 (1515)	4617 (1353)			
	-15	(-26.1)	6858 (2010)	6257 (1833)	5684 (1665)	5122 (1501)	4608 (1350)	4093 (1200)	3608 (1057)			
-20	(-28.9)	5578 (1634)	5025 (1472)	4481 (1313)	3987 (1169)	3511 (1029)	3046 (892)	2619 (767)				
-25	(-31.7)	4355 (1277)	3822 (1120)	3337 (978)	2881 (844)	2435 (714)	2027 (595)	1649 (483)				

--- Outside Operating Range † Max 40°F RGT \* Not suitable for use with R-507

**CAPACITY DATA - R404A R507**  
**EXTENDED MEDIUM TEMPERATURE (cont'd)**

CONDENSING UNIT MODEL	SATURATED SUCTION TEMPERATURE		CAPACITY BTU/H (WATTS) R404A R507										AMBIENT TEMPERATURE °F (°C)			
	°F	°C	80	(26.6)	85	(29.4)	90	(32.2)	95	(35.0)	100	(37.8)	105	(40.6)	110	(43.3)
	TMHA025E6 Compressor Model CS14K6E	30	(-1.1)	25900	(7591)	24500	(7181)	23100	(6770)	21700	(6360)	20300	(5950)	18900	(5539)	17400
25		(-3.9)	23800	(6975)	22500	(6594)	21200	(6213)	19900	(5832)	18600	(5451)	17300	(5070)	16000	(4689)
20		(-6.7)	21700	(6360)	20500	(6008)	19300	(5657)	18100	(5305)	17000	(4982)	15800	(4631)	14600	(4279)
15		(-9.4)	19600	(5744)	18500	(5422)	17400	(5100)	16400	(4807)	15300	(4484)	14200	(4162)	13200	(3869)
10		(-12.2)	17600	(5158)	16600	(4865)	15600	(4572)	14600	(4279)	13700	(4015)	12700	(3722)	11700	(3429)
5		(-15.0)	15600	(4572)	14700	(4308)	13800	(4045)	13000	(3810)	12100	(3546)	11200	(3283)	10300	(3019)
0		(-17.8)	13700	(4015)	12900	(3781)	12100	(3546)	11300	(3312)	10600	(3107)	9760	(2860)	8980	(2632)
-5		(-20.6)	11543	(3383)	10864	(3185)	10185	(2985)	9496	(2783)	8808	(2581)	8129	(2382)	7450	(2183)
-10		(-23.3)	9894	(2899)	9312	(2730)	8691	(2547)	8080	(2368)	7469	(2189)	6877	(2016)	6276	(1839)
-15		(-26.1)	8429	(2471)	7886	(2312)	7333	(2150)	6780	(1988)	6247	(1830)	5704	(1671)	5180	(1518)
-20	(-28.9)	7081	(2076)	6586	(1930)	6092	(1786)	5616	(1646)	5131	(1504)	4656	(1365)	4190	(1228)	
-25	(-31.7)	5907	(1731)	5461	(1601)	5025	(1472)	4588	(1344)	4171	(1222)	3735	(1094)	3317	(972)	
TMHA031E6 Compressor Model CS18K6E	30	(-1.1)	31600	(9261)	29800	(8734)	28000	(8206)	26200	(7679)	24500	(7181)	22700	(6653)	20900	(6125)
	25	(-3.9)	29200	(8558)	27500	(8060)	25800	(7562)	24200	(7093)	22500	(6594)	20900	(6125)	19200	(5627)
	20	(-6.7)	26700	(7825)	25200	(7386)	23600	(6917)	22100	(6477)	20500	(6008)	19000	(5569)	17500	(5129)
	15	(-9.4)	24200	(7093)	22800	(6682)	21300	(6243)	19900	(5832)	18500	(5422)	17100	(5012)	15700	(4601)
	10	(-12.2)	21700	(6360)	20400	(5979)	19100	(5598)	17700	(5188)	16400	(4807)	15200	(4455)	13900	(4074)
	5	(-15.0)	19200	(5627)	18000	(5275)	16800	(4924)	15600	(4572)	14400	(4220)	13300	(3898)	12100	(3546)
	0	(-17.8)	16800	(4924)	15700	(4601)	14600	(4279)	13600	(3986)	12500	(3664)	11500	(3370)	10400	(3048)
	-5	(-20.6)	14065	(4123)	13192	(3866)	12222	(3582)	11252	(3298)	10379	(3042)	9419	(2761)	8555	(2507)
	-10	(-23.3)	12028	(3525)	11155	(3269)	10282	(3014)	9477	(2777)	8662	(2538)	7876	(2309)	7110	(2084)
	-15	(-26.1)	10088	(2957)	9361	(2743)	8623	(2528)	7886	(2312)	7178	(2104)	6499	(1905)	5849	(1714)
-20	(-28.9)	8429	(2471)	7779	(2280)	7130	(2089)	6509	(1908)	5898	(1729)	5325	(1561)	4792	(1405)	
-25	(-31.7)	7013	(2055)	6460	(1893)	5917	(1734)	5384	(1578)	4889	(1433)	4414	(1294)	4006	(1174)	
TMHA035E6 Compressor Model CS20K6E *	30	(-1.1)	35500	(10404)	33400	(9789)	31300	(9174)	29300	(8587)	27400	(8030)	25400	(7444)	23500	(6887)
	25	(-3.9)	32100	(9408)	30200	(8851)	28300	(8294)	26400	(7737)	24600	(7210)	22800	(6682)	21000	(6155)
	20	(-6.7)	29000	(8499)	27200	(7972)	25400	(7444)	23700	(6946)	22000	(6448)	20300	(5950)	18700	(5481)
	15	(-9.4)	26000	(7620)	24400	(7151)	22800	(6682)	21200	(6213)	19600	(5744)	18100	(5305)	16600	(4865)
	10	(-12.2)	23400	(6858)	21800	(6389)	20300	(5950)	18900	(5539)	17400	(5100)	16000	(4689)	14600	(4279)
	5	(-15.0)	20800	(6096)	19500	(5715)	18100	(5305)	16700	(4894)	15400	(4513)	14100	(4132)	12900	(3781)
	0	(-17.8)	18500	(5422)	17200	(5041)	16000	(4689)	14800	(4338)	13600	(3986)	12400	(3634)	11200	(3283)
	-5	(-20.6)	15811	(4634)	14744	(4321)	13580	(3980)	12513	(3668)	11446	(3354)	10379	(3042)	9312	(2730)
	-10	(-23.3)	13774	(4037)	12804	(3753)	11737	(3440)	10767	(3155)	9797	(2871)	8788	(2575)	7809	(2288)
	-15	(-26.1)	11834	(3469)	10961	(3213)	9991	(2928)	9079	(2661)	8148	(2388)	7236	(2120)	6324	(1854)
-20	(-28.9)	9991	(2928)	9099	(2667)	8245	(2416)	7382	(2163)	6518	(1911)	5645	(1655)	4782	(1402)	
-25	(-31.7)	8032	(2354)	7256	(2126)	6451	(1891)	5636	(1652)	4811	(1410)	3987	(1169)	3153	(924)	
TMHA040E6 Compressor Model CS27K6E *	30	(-1.1)	48200	(14100)	45800	(13400)	43300	(12700)	40900	(12000)	38500	(11300)	36100	(10600)	33700	(9900)
	25	(-3.9)	43800	(12800)	41600	(12200)	39400	(11500)	37200	(10900)	34900	(10200)	32700	(9600)	30500	(9300)
	20	(-6.7)	39600	(11600)	37600	(11000)	35500	(10400)	33500	(9800)	31500	(9200)	29500	(8600)	27500	(8100)
	15	(-9.4)	35600	(10400)	33700	(9900)	31900	(9300)	30000	(8800)	28200	(8300)	26400	(7700)	24500	(7200)
	10	(-12.2)	31700	(9290)	30000	(8790)	28400	(8320)	26700	(7830)	25100	(7360)	23400	(6860)	21800	(6390)
	5	(-15.0)	28000	(8210)	26500	(7770)	25000	(7330)	23600	(6920)	22100	(6480)	20600	(6040)	19200	(5630)
	0	(-17.8)	24600	(7210)	23200	(6800)	21900	(6420)	20600	(6040)	19300	(5660)	18100	(5310)	16700	(4890)
	-5	(-20.6)	20700	(6070)	19600	(5740)	18500	(5420)	17400	(5100)	16300	(4780)	15200	(4460)	14100	(4130)
	-10	(-23.3)	17800	(5220)	16800	(4920)	15900	(4660)	14900	(4370)	14000	(4100)	13100	(3840)	12100	(3550)
	-15	(-26.1)	15100	(4430)	14300	(4190)	13500	(3960)	12700	(3720)	12000	(3520)	11200	(3280)	10400	(3050)
-20	(-28.9)	12700	(3720)	12000	(3520)	11400	(3340)	10800	(3170)	10100	(2960)	9500	(2780)	8800	(2580)	
-25	(-31.7)	10500	(3080)	10000	(2930)	9500	(2780)	9000	(2640)	8600	(2520)	8100	(2370)	7500	(2200)	
TMHA050E6 Compressor Model CS33K6E *	30	(-1.1)	51600	(15100)	49000	(14400)	46400	(13600)	43800	(12800)	41300	(12100)	38800	(11400)	36300	(10600)
	25	(-3.9)	47500	(13900)	45100	(13200)	42800	(12500)	40400	(11800)	38100	(11200)	35800	(10500)	33500	(9820)
	20	(-6.7)	43400	(12700)	41300	(12100)	39100	(11500)	37000	(10800)	34800	(10200)	32700	(9580)	30600	(8970)
	15	(-9.4)	39400	(11500)	37500	(11000)	35500	(10400)	33600	(9800)	31600	(9260)	29700	(8710)	27800	(8150)
	10	(-12.2)	35500	(10410)	33700	(9880)	32000	(9380)	30200	(8850)	28400	(8320)	26700	(7830)	25000	(7330)
	5	(-15.0)	31700	(9290)	30100	(8820)	28500	(8350)	26900	(7880)	25300	(7420)	23800	(6980)	22200	(6510)
	0	(-17.8)	28000	(8210)	26600	(7800)	25200	(7390)	23800	(6980)	22400	(6570)	21000	(6160)	19500	(5720)
	-5	(-20.6)	23800	(6980)	22600	(6620)	21400	(6270)	20200	(5920)	19000	(5570)	17800	(5220)	16500	(4840)
	-10	(-23.3)	20700	(6070)	19700	(5770)	18600	(5450)	17500	(5130)	16400	(4810)	15300	(4480)	14200	(4160)
	-15	(-26.1)	17900	(5250)	17000	(4980)	16100	(4720)	15100	(4430)	14100	(4130)	13100	(3840)	12100	(3550)
-20	(-28.9)	15500	(4540)	14700	(4310)	13800	(4040)	13000	(3810)	12100	(3550)	11200	(3280)	10300	(3020)	
-25	(-31.7)	13400	(3930)	12700	(3720)	12000	(3520)	11200	(3280)	10400	(3050)	9590	(2810)	8770	(2570)	

--- Outside Operating Range † Max 40°F RGT \* Not suitable for use with R-507

**CAPACITY DATA - R404A R507**  
**LOW TEMPERATURE**

CONDENSING UNIT MODEL	SATURATED SUCTION TEMPERATURE		CAPACITY BTU/H (WATTS) R404A R507 AMBIENT TEMPERATURE °F (°C)							
	° F	° C	80 (26.6)	85 (29.4)	90 (32.2)	95 (35)	100 (37.8)	105 (40.6)	110 (43.3)	
TMHA006L6 Compressor Model RFT22C1E *	10 (-12.2)		4810 (1410)	4580 (1340)	4360 (1280)	4120 (1210)	3880 (1140)	3640 (1070)	3380 (990)	
	5 (-15.0)		4350 (1270)	4140 (1210)	3930 (1150)	3720 (1090)	3500 (1030)	3270 (960)	3040 (890)	
	0 (-17.8)		3900 (1140)	3720 (1090)	3530 (1030)	3340 (980)	3130 (920)	2930 (860)	2710 (790)	
	-5 (-20.6)		3480 (1020)	3320 (970)	3140 (920)	2970 (870)	2780 (810)	2590 (760)	2400 (700)	
	-10 (-23.3)		3090 (910)	2940 (860)	2770 (810)	2620 (770)	2450 (720)	2280 (670)	2100 (620)	
	-15 (-26.1)		2710 (790)	2560 (750)	2430 (710)	2280 (670)	2130 (620)	1980 (580)	1820 (530)	
	-20 (-28.9)		2350 (690)	2220 (650)	2100 (620)	1970 (580)	1840 (540)	1710 (500)	1570 (460)	
	-25 (-31.7)		2020 (590)	1910 (560)	1790 (520)	1680 (490)	1570 (460)	1450 (420)	1330 (390)	
	-30 (-34.4)		1710 (500)	1610 (470)	1510 (440)	1410 (410)	1320 (390)	1220 (360)	1110 (330)	
TMHA008L6 Compressor Model RFT26C1E *	10 (-12.2)		5540 (1620)	5270 (1540)	5000 (1470)	4720 (1380)	4440 (1300)	4160 (1220)	3880 (1140)	
	5 (-15.0)		5040 (1480)	4780 (1400)	4530 (1330)	4270 (1250)	4030 (1180)	3770 (1100)	3510 (1030)	
	0 (-17.8)		4540 (1330)	4320 (1270)	4090 (1200)	3850 (1130)	3630 (1060)	3390 (990)	3150 (920)	
	-5 (-20.6)		4080 (1200)	3870 (1130)	3660 (1070)	3450 (1010)	3230 (950)	3030 (890)	2810 (820)	
	-10 (-23.3)		3640 (1070)	3440 (1010)	3250 (950)	3060 (900)	2870 (840)	2680 (790)	2490 (730)	
	-15 (-26.1)		3210 (940)	3040 (890)	2860 (840)	2700 (790)	2520 (740)	2360 (690)	2180 (640)	
	-20 (-28.9)		2810 (820)	2660 (780)	2500 (730)	2350 (690)	2200 (640)	2050 (600)	1900 (560)	
	-25 (-31.7)		2430 (710)	2300 (670)	2160 (630)	2030 (590)	1900 (560)	1760 (520)	1630 (480)	
	-30 (-34.4)		2080 (610)	1970 (580)	1840 (540)	1730 (510)	1610 (470)	1490 (440)	1380 (400)	
TMHA010L6 Compressor Model CF04K6E *	10 (-12.2)		9580 (2808)	8920 (2614)	8250 (2418)	7590 (2225)	6930 (2031)	6280 (1841)	5640 (1653)	
	5 (-15.0)		8530 (2500)	7920 (2321)	7310 (2142)	6710 (1967)	6110 (1791)	5510 (1615)	4930 (1445)	
	0 (-17.8)		7560 (2216)	7010 (2055)	6460 (1893)	5910 (1732)	5370 (1574)	4820 (1413)	4280 (1254)	
	-5 (-20.6)		6680 (1958)	6180 (1811)	5690 (1668)	5180 (1518)	4690 (1375)	4200 (1231)	3720 (1090)	
	-10 (-23.3)		5870 (1720)	5420 (1589)	4970 (1457)	4520 (1325)	4070 (1193)	3640 (1067)	3200 (938)	
	-15 (-26.1)		5110 (1498)	4710 (1380)	4310 (1263)	3900 (1143)	3500 (1026)	3110 (911)	2740 (803)	
	-20 (-28.9)		4390 (1287)	4040 (1184)	3680 (1079)	3320 (973)	2960 (868)	2620 (768)	2290 (671)	
	-25 (-31.7)		3690 (1081)	3370 (988)	3050 (894)	2730 (800)	2420 (709)	2120 (621)	1830 (536)	
	-30 (-34.4)		2990 (876)	2700 (791)	2420 (709)	2130 (624)	1850 (542)	1600 (469)	1350 (396)	
TMHA020L6 Compressor Model CF06K6E *	10 (-12.2)		14900 (4367)	14100 (4132)	13200 (3869)	12400 (3634)	11600 (3400)	10700 (3136)	9900 (2902)	
	5 (-15.0)		13600 (3986)	12800 (3751)	12100 (3546)	11300 (3312)	10500 (3077)	9800 (2872)	8990 (2635)	
	0 (-17.8)		12300 (3605)	11600 (3400)	10900 (3195)	10200 (2989)	9500 (2784)	8770 (2570)	8050 (2359)	
	-5 (-20.6)		11000 (3224)	10400 (3048)	9700 (2843)	9100 (2667)	8420 (2468)	7770 (2277)	7130 (2090)	
	-10 (-23.3)		9700 (2843)	9100 (2667)	8530 (2500)	7940 (2327)	7350 (2154)	6780 (1987)	6200 (1817)	
	-15 (-26.1)		8480 (2485)	7920 (2321)	7390 (2166)	6850 (2008)	6320 (1852)	5810 (1703)	5290 (1550)	
	-20 (-28.9)		7270 (2131)	6770 (1984)	6280 (1841)	5800 (1700)	5340 (1565)	4870 (1427)	4430 (1298)	
	-25 (-31.7)		6140 (1800)	5690 (1668)	5240 (1536)	4810 (1410)	4400 (1290)	4010 (1175)	3630 (1064)	
	-30 (-34.4)		5100 (1495)	4680 (1372)	4280 (1254)	3900 (1143)	3550 (1040)	3210 (941)	2900 (850)	
TMHA025L6 Compressor Model CF09K6E *	10 (-12.2)		21900 (6419)	20700 (6067)	19500 (5715)	18300 (5363)	17100 (5012)	15900 (4660)	14800 (4338)	
	5 (-15.0)		19900 (5832)	18800 (5510)	17600 (5158)	16500 (4836)	15500 (4543)	14400 (4220)	13300 (3898)	
	0 (-17.8)		17900 (5246)	16900 (4953)	15900 (4660)	14900 (4367)	13800 (4045)	12900 (3781)	11900 (3488)	
	-5 (-20.6)		16000 (4689)	15100 (4426)	14100 (4132)	13200 (3869)	12300 (3605)	11400 (3341)	10500 (3077)	
	-10 (-23.3)		14200 (4162)	13300 (3898)	12500 (3664)	11600 (3400)	10800 (3165)	9980 (2925)	9180 (2691)	
	-15 (-26.1)		12500 (3664)	11700 (3429)	10900 (3195)	10100 (2960)	9370 (2746)	8630 (2529)	7900 (2315)	
	-20 (-28.9)		10800 (3165)	10100 (2960)	9390 (2752)	8690 (2547)	8010 (2348)	7350 (2154)	6700 (1964)	
	-25 (-31.7)		9250 (2711)	8600 (2521)	7970 (2336)	7340 (2151)	6740 (1975)	6150 (1802)	5560 (1630)	
	-30 (-34.4)		7790 (2283)	7210 (2113)	6640 (1946)	6090 (1785)	5540 (1624)	5020 (1471)	4510 (1322)	
TMHA031L6 Compressor Model CF12K6E *	10 (-12.2)		27400 (8030)	25900 (7591)	24300 (7122)	22800 (6682)	21300 (6243)	19800 (5803)	18400 (5393)	
	5 (-15.0)		24900 (7298)	23500 (6887)	22100 (6477)	20700 (6067)	19300 (5657)	18000 (5275)	16600 (4865)	
	0 (-17.8)		22500 (6594)	21200 (6213)	19900 (5832)	18700 (5481)	17400 (5100)	16200 (4748)	14900 (4367)	
	-5 (-20.6)		20200 (5920)	19000 (5569)	17900 (5246)	16700 (4894)	15600 (4572)	14400 (4220)	13300 (3898)	
	-10 (-23.3)		18000 (5275)	17000 (4982)	15900 (4660)	14900 (4367)	13800 (4045)	12800 (3751)	11800 (3458)	
	-15 (-26.1)		15900 (4660)	15000 (4396)	14000 (4103)	13100 (3839)	12100 (3546)	11200 (3283)	10300 (3019)	
	-20 (-28.9)		14000 (4103)	13100 (3839)	12200 (3576)	11400 (3341)	10500 (3077)	9670 (2834)	8850 (2594)	
	-25 (-31.7)		12100 (3546)	11300 (3312)	10500 (3077)	9720 (2849)	8940 (2620)	8170 (2394)	7420 (2175)	
	-30 (-34.4)		10300 (3019)	9570 (2805)	8840 (2591)	8120 (2380)	7400 (2169)	6680 (1958)	5990 (1756)	

--- Outside Operating Range † Max 40°F RGT \* Not suitable for use with R-507

table continues on next page >>>

**CAPACITY DATA - R22  
HIGH / MEDIUM TEMPERATURE**

CONDENSING UNIT MODEL	SATURATED SUCTION TEMPERATURE		CAPACITY BTU/H (WATTS) R22 AMBIENT TEMPERATURE °F (°C)													
	° F	° C	80 (26.6)		85 (29.4)		90 (32.2)		95 (35)		100 (37.8)		105 (40.6)		110 (43.3)	
TMHA015H7 Compressor Model CR18K6E	45 (7.2)		20700 (6067)	19800 (5803)	18900 (5539)	18000 (5275)	17100 (5011)	16200 (4748)	---	---						
	40 (4.4)		18800 (5510)	18000 (5275)	17100 (5011)	16300 (4777)	15500 (4543)	14600 (4279)	13800 (4044)							
	35 (1.7)		17000 (4982)	16200 (4748)	15400 (4513)	14700 (4308)	13900 (4074)	13100 (3839)	12300 (3605)	11600 (3400)	10800 (3165)					
	30 (-1.1)		15300 (4484)	14500 (4250)	13800 (4044)	13100 (3839)	12300 (3605)	11600 (3400)	10800 (3165)	10100 (2960)	9420 (2761)					
	25 (-3.9)		13600 (3986)	12900 (3781)	12200 (3575)	11500 (3370)	10800 (3165)	10100 (2960)	9410 (2758)	8760 (2567)	8100 (2374)					
	20 (-6.7)		12000 (3517)	11400 (3341)	10700 (3136)	10100 (2960)	9410 (2758)	8760 (2567)	8100 (2374)	7470 (2189)	6850 (2008)					
	15 (-9.4)		10500 (3077)	9930 (2910)	9310 (2728)	8700 (2550)	8090 (2371)	7470 (2189)	6850 (2008)	6260 (1835)†	5690 (1668)†					
	10 (-12.2)		9150† (2682)†	8580† (2515)†	8000† (2345)†	7430† (2178)†	6850† (2008)†	6260† (1835)†	5720† (1676)†	5170† (1515)†	---	---				
	5 (-15.0)		7870† (2306)†	7330† (2148)†	6800† (1993)†	6250† (1832)†	5720† (1676)†	5170† (1515)†	---	---	---	---				
0 (-17.8)		6710† (1966)†	6210† (1820)†	5720† (1676)†	5200† (1524)†	---	---	---	---	---	---					
TMHA020H7 Compressor Model CR24K6E	45 (7.2)		27300 (8001)	26200 (7678)	25200 (7385)	24100 (7063)	23000 (6741)	21900 (6418)	20700 (6067)							
	40 (4.4)		24900 (7297)	23900 (7004)	22900 (6711)	21900 (6418)	20800 (6096)	19800 (5803)	18700 (5480)							
	35 (1.7)		22600 (6623)	21700 (6360)	20700 (6067)	19800 (5803)	18800 (5510)	17800 (5217)	16800 (4924)							
	30 (-1.1)		20400 (5979)	19500 (5715)	18600 (5451)	17700 (5187)	16900 (4953)	15900 (4660)	15000 (4396)							
	25 (-3.9)		18300 (5363)	17500 (5129)	16700 (4894)	15800 (4631)	15000 (4396)	14200 (4162)	13300 (3898)							
	20 (-6.7)		16300 (4777)	15600 (4572)	14800 (4337)	14000 (4103)	13300 (3898)	12500 (3663)	11700 (3429)							
	15 (-9.4)		14400 (4220)	13700 (4015)	13100 (3839)	12400 (3634)	11600 (3400)	10900 (3194)	10200 (2989)							
	10 (-12.2)		12700 (3722)	12100 (3546)	11400 (3341)	10800 (3165)	10100 (2960)	9490 (2781)	8800 (2579)							
	5 (-15.0)		11100 (3253)	10500 (3077)	9940 (2913)	9360 (2743)	8780 (2573)	8170 (2394)	7540 (2210)							
0 (-17.8)		9580 (2808)	9080 (2661)	8580 (2515)	8060 (2362)	7540 (2210)	---	---	---	---						
TMHA025H7 Compressor Model CR32K6E	45 (7.2)		35400 (10375)	34100 (9994)	32800 (9613)	31500 (9232)	30300 (8880)	29000 (8499)	27700 (8118)							
	40 (4.4)		32400 (9495)	31200 (9144)	30000 (8792)	28800 (8440)	27600 (8089)	26400 (7737)	25200 (7385)							
	35 (1.7)		29500 (8646)	28400 (8323)	27300 (8001)	26200 (7678)	25100 (7356)	24000 (7034)	22900 (6711)							
	30 (-1.1)		26800 (7854)	25800 (7561)	24800 (7268)	23800 (6975)	22700 (6653)	21700 (6360)	20700 (6067)							
	25 (-3.9)		24200 (7092)	23300 (6829)	22300 (6535)	21400 (6272)	20400 (5979)	19500 (5715)	18600 (5451)							
	20 (-6.7)		21800 (6389)	20900 (6125)	20000 (5861)	19100 (5598)	18300 (5363)	17400 (5099)	16600 (4865)							
	15 (-9.4)		19400 (5686)	18600 (5451)	17800 (5217)	17000 (4982)	16200 (4748)	15400 (4513)	14600 (4279)							
	10 (-12.2)		17200 (5041)	16400 (4806)	15600 (4572)	14900 (4367)	14100 (4132)	13400 (3927)	12700 (3722)							
	5 (-15.0)		15000 (4396)	14200 (4162)	13500 (3956)	12800 (3751)	12100 (3546)	11500 (3370)	---	---						
0 (-17.8)		12800 (3751)	12100 (3546)	11400 (3341)	10800 (3165)	10100 (2960)	9520 (2790)	---	---	---	---					
TMHA031H7 Compressor Model CR38K6E	45 (7.2)		39600 (11606)	38100 (11166)	36600 (10726)	35200 (10316)	33700 (9876)	32300 (9466)	---	---						
	40 (4.4)		36400 (10668)	35000 (10257)	33600 (9847)	32200 (9437)	30800 (9027)	29500 (8646)	28200 (8265)							
	35 (1.7)		33300 (9759)	32000 (9378)	30700 (8997)	29400 (8616)	28100 (8235)	26800 (7854)	25600 (7503)							
	30 (-1.1)		30300 (8880)	29100 (8528)	27900 (8147)	26600 (7796)	25400 (7444)	24200 (7092)	23000 (6741)							
	25 (-3.9)		27400 (8030)	26200 (7678)	25100 (7356)	23900 (7004)	22700 (6653)	21600 (6330)	20500 (6008)							
	20 (-6.7)		24600 (7210)	23500 (6887)	22400 (6565)	21300 (6242)	20200 (5920)	19100 (5598)	18100 (5305)							
	15 (-9.4)		21900 (6418)	20900 (6125)	19800 (5803)	18800 (5510)	17800 (5217)	16800 (4924)	15800 (4631)							
	10 (-12.2)		19300 (5656)	18400 (5392)	17400 (5099)	16400 (4806)	15500 (4543)	14500 (4250)	13600 (3986)							
	5 (-15.0)		16900 (4953)	16000 (4689)	15100 (4425)	14100 (4132)	13200 (3869)	12300 (3605)	---	---						
0 (-17.8)		14600 (4279)	13700 (4015)	12900 (3781)	12000 (3517)	---	---	---	---	---	---					
TMHA035H7 Compressor Model CR42K6E	45 (7.2)		43100 (12631)	41500 (12162)	39800 (11664)	38200 (11195)	36500 (10697)	34800 (10199)	---	---						
	40 (4.4)		39700 (11635)	38200 (11195)	36600 (10726)	35100 (10287)	33600 (9847)	32000 (9378)	---	---						
	35 (1.7)		36300 (10638)	34900 (10228)	33500 (9818)	32100 (9408)	30700 (8997)	29300 (8587)	27800 (8147)							
	30 (-1.1)		33000 (9671)	31700 (9290)	30400 (8909)	29100 (8528)	27900 (8177)	26500 (7766)	25200 (7385)							
	25 (-3.9)		29800 (8733)	28600 (8382)	27500 (8059)	26300 (7708)	25100 (7356)	23900 (7004)	22700 (6653)							
	20 (-6.7)		26800 (7854)	25700 (7532)	24600 (7210)	23500 (6887)	22400 (6565)	21300 (6242)	20300 (5949)							
	15 (-9.4)		23800 (6975)	22800 (6682)	21800 (6389)	20900 (6125)	19900 (5832)	18900 (5539)	17900 (5246)							
	10 (-12.2)		21100† (6184)†	20200† (5920)†	19200† (5627)†	18300† (5363)†	17400† (5099)†	16500† (4836)†	15600† (4572)†							
	5 (-15.0)		18500† (5422)†	17600† (5158)†	16800† (4924)†	15900† (4660)†	15100† (4425)†	---	---							
0 (-17.8)		16100† (4718)†	15300† (4484)†	14500† (4250)†	13700† (4015)†	---	---	---	---	---	---					

--- Outside Operating Range † Max 40°F RGT

table continues on next page >>>

**CAPACITY DATA - R22  
HIGH / MEDIUM TEMPERATURE (cont'd)**

CONDENSING UNIT MODEL	SATURATED SUCTION TEMPERATURE		CAPACITY BTU/H (WATTS) R22 AMBIENT TEMPERATURE °F (°C)						
	° F	° C	80 (26.6)	85 (29.4)	90 (32.2)	95 (35)	100 (37.8)	105 (40.6)	110 (43.3)
TMHA040H7 Compressor Model CR53KQE	45 (7.2)		59100 (17320)	56900 (16676)	54700 (16031)	52500 (15386)	50200 (14712)	48000 (14067)	45800 (13423)
	40 (4.4)		54100 (15855)	52100 (15269)	50100 (14683)	48000 (14067)	46000 (13481)	43900 (12866)	41900 (12280)
	35 (1.7)		49300 (14448)	47500 (13921)	45600 (13364)	43700 (12807)	41900 (12280)	40000 (11723)	38100 (11166)
	30 (-1.1)		44700 (13100)	43000 (12602)	41300 (12104)	39600 (11606)	37800 (11078)	36100 (10580)	34400 (10082)
	25 (-3.9)		40200 (11781)	38700 (11342)	37100 (10873)	35500 (10404)	34000 (9964)	32400 (9495)	30800 (9027)
	20 (-6.7)		36000 (10551)	34600 (10140)	33100 (9701)	31700 (9290)	30300 (8880)	28800 (8440)	27400 (8030)
	15 (-9.4)		32000 (9378)	30700 (8997)	29300 (8587)	28000 (8206)	26700 (7825)	25400 (7444)	24100 (7063)
	10 (-12.2)		28200† (8265)†	27000† (7913)†	25800† (7561)†	24500† (7180)†	23300† (6829)†	22100† (6477)†	20900† (6125)†
	5 (-15.0)		24700† (7239)†	23600† (6916)†	22400† (6565)†	21300† (6242)†	20200† (5920)†	19000† (5568)†	---
	0 (-17.8)		21500† (6301)†	20400† (5979)†	19300† (5656)†	18200† (5334)†	---	---	---
TMHA050H7 Compressor Model CRNQ-050E	45 (7.2)		66700 (19548)	64400 (18874)	62000 (18170)	59800 (17526)	57500 (16852)	55200 (16177)	---
	40 (4.4)		61200 (17936)	59100 (17320)	57000 (16705)	54800 (16060)	52700 (15445)	50600 (14829)	---
	35 (1.7)		56000 (16412)	54000 (15826)	52100 (15269)	50100 (14683)	48100 (14097)	46200 (13540)	44200 (12954)
	30 (-1.1)		51000 (14947)	49200 (14419)	47400 (13892)	45600 (13364)	43700 (12807)	41900 (12280)	40000 (11723)
	25 (-3.9)		46200 (13540)	44600 (13071)	42900 (12573)	41200 (12074)	39400 (11547)	37700 (11049)	35900 (10521)
	20 (-6.7)		41700 (12221)	40100 (11752)	38500 (11283)	36900 (10814)	35300 (10345)	33600 (9847)	31900 (9349)
	15 (-9.4)		37300 (10932)	35800 (10492)	34300 (10052)	32800 (9613)	31200 (9144)	29600 (8675)	28000 (8206)
	10 (-12.2)		33000† (9671)†	31600† (9261)†	30200† (8851)†	28700† (8411)†	27300† (8001)†	25700† (7532)†	24100† (7063)†
	5 (-15.0)		28900† (8470)†	27600† (8089)†	26200† (7678)†	24800† (7268)†	23300† (6829)†	---	---
	0 (-17.8)		24900† (7297)†	23600† (6916)†	22300† (6535)†	20900† (6125)†	---	---	---

--- Outside Operating Range † Max 40°F RGT



**CAPACITY DATA - R407C**  
**HIGH TEMPERATURE**

CONDENSING UNIT MODEL	SATURATED SUCTION TEMPERATURE		CAPACITY BTU/H (WATTS) <b>R407C</b> AMBIENT TEMPERATURE °F (°C)							
	° F	° C	80 (26.6)	85 (29.4)	90 (32.2)	95 (35)	100 (37.8)	105 (40.6)	110 (43.3)	
TMHT015H7 Compressor Model AWG5520WX	45 (7.2)		20000 (5860)	19100 (5600)	18300 (5360)	17300 (5070)	16400 (4810)	15300 (4480)	-	-
	40 (4.4)		18200 (5330)	17400 (5100)	16700 (4890)	15900 (4660)	15000 (4400)	14100 (4130)	13100 (3840)	11800 (3460)
	35 (1.7)		16300 (4780)	15600 (4570)	15000 (4400)	14300 (4190)	13500 (3960)	12700 (3720)	11800 (3460)	11800 (3460)
	30 (-1.1)		14400 (4220)	13900 (4070)	13300 (3900)	12700 (3720)	12000 (3520)	11200 (3280)	10450 (3060)	10450 (3060)
	25 (-3.9)		12700 (3720)	12200 (3580)	11700 (3430)	11100 (3250)	10500 (3080)	9840 (2880)	9090 (2660)	9090 (2660)
	20 (-6.7)		11100 (3250)	10700 (3140)	10210 (2990)	9690 (2840)	9120 (2670)	8520 (2500)	7810 (2290)	7810 (2290)
	15 (-9.4)		9840 (2880)	9410 (2760)	8960 (2630)	8460 (2480)	7930 (2320)	7330 (2150)	6690 (1960)	6690 (1960)
10 (-12.2)		8900 (2610)	8440 (2470)	7990 (2340)	7510 (2200)	6980 (2050)	6410 (1880)	5760 (1690)	5760 (1690)	
TMHT020H7 Compressor Model AWG5524WX	45 (7.2)		25400 (7440)	24500 (7180)	23400 (6860)	22400 (6560)	21200 (6210)	20200 (5920)	19100 (5600)	19100 (5600)
	40 (4.4)		23000 (6740)	22100 (6480)	21100 (6180)	20200 (5920)	19200 (5630)	18200 (5330)	17200 (5040)	17200 (5040)
	35 (1.7)		20500 (6010)	19700 (5770)	18800 (5510)	18000 (5280)	17100 (5010)	16200 (4750)	15300 (4480)	15300 (4480)
	30 (-1.1)		18200 (5330)	17400 (5100)	16600 (4860)	15800 (4630)	14900 (4370)	14200 (4160)	13300 (3900)	13300 (3900)
	25 (-3.9)		16000 (4690)	15200 (4450)	14500 (4250)	13700 (4020)	12900 (3780)	12100 (3550)	11400 (3340)	11400 (3340)
	20 (-6.7)		14000 (4100)	13200 (3870)	12500 (3660)	11700 (3430)	10900 (3190)	10200 (2990)	9500 (2780)	9500 (2780)
	15 (-9.4)		12200 (3580)	11400 (3340)	10700 (3140)	9890 (2900)	9140 (2680)	8410 (2460)	7730 (2270)	7730 (2270)
10 (-12.2)		10700 (3140)	9930 (2910)	9120 (2670)	8330 (2440)	7560 (2220)	6810 (2000)	6130 (1800)	6130 (1800)	
TMHT025H7 Compressor Model AWG5530WX	45 (7.2)		30900 (9060)	29900 (8760)	28800 (8440)	27500 (8060)	26400 (7740)	25100 (7360)	23900 (7000)	23900 (7000)
	40 (4.4)		28000 (8210)	27200 (7970)	26100 (7650)	25000 (7330)	23900 (7000)	22800 (6680)	21700 (6360)	21700 (6360)
	35 (1.7)		25500 (7470)	24700 (7240)	23700 (6950)	22700 (6650)	21600 (6330)	20600 (6040)	19600 (5740)	19600 (5740)
	30 (-1.1)		23000 (6740)	22300 (6540)	21400 (6270)	20500 (6010)	19500 (5710)	18600 (5450)	17600 (5160)	17600 (5160)
	25 (-3.9)		20700 (6070)	20100 (5890)	19200 (5630)	18400 (5390)	17400 (5100)	16600 (4860)	15800 (4630)	15800 (4630)
	20 (-6.7)		18400 (5390)	17900 (5250)	17100 (5010)	16300 (4780)	15400 (4510)	14600 (4280)	13900 (4070)	13900 (4070)
	15 (-9.4)		16100 (4720)	15600 (4570)	14900 (4370)	14200 (4160)	13400 (3930)	12700 (3720)	12000 (3520)	12000 (3520)
10 (-12.2)		13800 (4040)	13300 (3900)	12700 (3720)	12100 (3550)	11300 (3310)	10600 (3110)	9930 (2910)	9930 (2910)	
TMHT030H7 Compressor Model AVA5538WX	45 (7.2)		38600 (11310)	37200 (10900)	35500 (10400)	33900 (9940)	32300 (9470)	30700 (9000)	-	-
	40 (4.4)		35300 (10350)	33900 (9940)	32400 (9500)	31000 (9090)	29500 (8650)	27900 (8180)	26500 (7770)	26500 (7770)
	35 (1.7)		31900 (9350)	30700 (9000)	29300 (8590)	27900 (8180)	26600 (7800)	25200 (7390)	23800 (6980)	23800 (6980)
	30 (-1.1)		28700 (8410)	27400 (8030)	26300 (7710)	25000 (7330)	23700 (6950)	22500 (6590)	21200 (6210)	21200 (6210)
	25 (-3.9)		25400 (7440)	24400 (7150)	23200 (6800)	22200 (6510)	21000 (6150)	19800 (5800)	18700 (5480)	18700 (5480)
	20 (-6.7)		22400 (6560)	21400 (6270)	20400 (5980)	19300 (5660)	18400 (5390)	17200 (5040)	16200 (4750)	16200 (4750)
	15 (-9.4)		19600 (5740)	18700 (5480)	17700 (5190)	16800 (4920)	15900 (4660)	14800 (4340)	13900 (4070)	13900 (4070)
10 (-12.2)		17100 (5010)	16300 (4780)	15300 (4480)	14400 (4220)	13500 (3960)	12600 (3690)	11700 (3430)	11700 (3430)	
TMHT035H7 Compressor Model AVA5542WX	45 (7.2)		47700 (13980)	45000 (13190)	42600 (12480)	40300 (11810)	38300 (11220)	36300 (10640)	34400 (10080)	34400 (10080)
	40 (4.4)		42700 (12510)	40300 (11810)	38100 (11170)	36100 (10580)	34200 (10020)	32400 (9500)	30800 (9030)	30800 (9030)
	35 (1.7)		38000 (11140)	35800 (10490)	33700 (9880)	31900 (9350)	30200 (8850)	28700 (8410)	27200 (7970)	27200 (7970)
	30 (-1.1)		33400 (9790)	31400 (9200)	29600 (8670)	28000 (8210)	26500 (7770)	25100 (7360)	23700 (6950)	23700 (6950)
	25 (-3.9)		29200 (8560)	27400 (8030)	25800 (7560)	24400 (7150)	23100 (6770)	21800 (6390)	20700 (6070)	20700 (6070)
	20 (-6.7)		25300 (7410)	23700 (6950)	22400 (6560)	21200 (6210)	20100 (5890)	19000 (5570)	18100 (5300)	18100 (5300)
	15 (-9.4)		21900 (6420)	20700 (6070)	19500 (5710)	18600 (5450)	17600 (5160)	16800 (4920)	15900 (4660)	15900 (4660)
10 (-12.2)		19200 (5630)	18200 (5330)	17300 (5070)	16500 (4840)	15800 (4630)	15000 (4400)	14300 (4190)	14300 (4190)	
TMHT040H7 Compressor Model AGA5553WX	45 (7.2)		54100 (15860)	51800 (15180)	49400 (14480)	46800 (13720)	44400 (13010)	42000 (12310)	39500 (11580)	39500 (11580)
	40 (4.4)		48700 (14270)	46600 (13660)	44300 (12980)	42100 (12340)	39800 (11660)	37600 (11020)	35300 (10350)	35300 (10350)
	35 (1.7)		43600 (12780)	41700 (12220)	39700 (11630)	37600 (11020)	35500 (10400)	33400 (9790)	31300 (9170)	31300 (9170)
	30 (-1.1)		38700 (11340)	37100 (10870)	35200 (10320)	33400 (9790)	31500 (9230)	29500 (8650)	27600 (8090)	27600 (8090)
	25 (-3.9)		34200 (10020)	32800 (9610)	31100 (9110)	29400 (8620)	27600 (8090)	25900 (7590)	24200 (7090)	24200 (7090)
	20 (-6.7)		30000 (8790)	28800 (8440)	27300 (8000)	25700 (7530)	24200 (7090)	22600 (6620)	20900 (6130)	20900 (6130)
	15 (-9.4)		26300 (7710)	25100 (7360)	23700 (6950)	22400 (6560)	20900 (6130)	19400 (5690)	17900 (5250)	17900 (5250)
10 (-12.2)		22700 (6650)	21700 (6360)	20600 (6040)	19300 (5660)	18000 (5280)	16600 (4860)	15100 (4430)	15100 (4430)	
TMHT045H7 Compressor Model AGA5561WX	45 (7.2)		59900 (17550)	57000 (16700)	54300 (15910)	51700 (15150)	49000 (14360)	46500 (13630)	-	-
	40 (4.4)		54600 (16000)	52100 (15270)	49600 (14540)	47000 (13770)	44600 (13070)	42300 (12400)	40100 (11750)	40100 (11750)
	35 (1.7)		49500 (14510)	47100 (13800)	44700 (13100)	42500 (12460)	40200 (11780)	38100 (11170)	36000 (10550)	36000 (10550)
	30 (-1.1)		44400 (13010)	42200 (12370)	40100 (11750)	38000 (11140)	35900 (10520)	33900 (9940)	32000 (9380)	32000 (9380)
	25 (-3.9)		39600 (11610)	37600 (11020)	35600 (10430)	33600 (9850)	31700 (9290)	29800 (8730)	28000 (8210)	28000 (8210)
	20 (-6.7)		35100 (10290)	33200 (9730)	31400 (9200)	29500 (8650)	27700 (8120)	25900 (7590)	24300 (7120)	24300 (7120)
	15 (-9.4)		31000 (9090)	29200 (8560)	27400 (8030)	25700 (7530)	23900 (7000)	22300 (6540)	20600 (6040)	20600 (6040)
10 (-12.2)		27300 (8000)	25600 (7500)	23900 (7000)	22300 (6540)	20500 (6010)	18800 (5510)	17200 (5040)	17200 (5040)	
TMHT050H7 Compressor Model AGA5568WX	45 (7.2)		68000 (19930)	65700 (19250)	63300 (18550)	60900 (17850)	58500 (17140)	56000 (16410)	53300 (15620)	53300 (15620)
	40 (4.4)		61500 (18020)	59400 (17410)	57200 (16760)	55000 (16120)	52600 (15420)	50200 (14710)	47700 (13980)	47700 (13980)
	35 (1.7)		55200 (16180)	53300 (15620)	51300 (15030)	49400 (14480)	47100 (13800)	44900 (13160)	42500 (12460)	42500 (12460)
	30 (-1.1)		49200 (14420)	47600 (13950)	45900 (13450)	44100 (12920)	42100 (12340)	39900 (11690)	37700 (11050)	37700 (11050)
	25 (-3.9)		43600 (12780)	42200 (12370)	40800 (11960)	39200 (11490)	37400 (10960)	35500 (10400)	33300 (9760)	33300 (9760)
	20 (-6.7)		38200 (11200)	37300 (10930)	36100 (10580)	34800 (10200)	33200 (9730)	31400 (9200)	29400 (8620)	29400 (8620)
	15 (-9.4)		33400 (9790)	32800 (9610)	31900 (9350)	30900 (9060)	29500 (8650)	27900 (8180)	26000 (7620)	26000 (7620)
10 (-12.2)		29100 (8530)	28900 (8470)	28400 (8320)	27500 (8060)	26400 (7740)	24900 (7300)	23200 (6800)	23200 (6800)	

NOTES: - Above ratings are based on mean temperature. - To convert to dew point ratings, use 0.95 multiplier.

**CAPACITY DATA - R404A R507**  
**MEDIUM TEMPERATURE**

CONDENSING UNIT MODEL	SATURATED SUCTION TEMPERATURE		CAPACITY BTU/H (WATTS) R404A R507								AMBIENT TEMPERATURE °F (°C)	
	° F	° C	80 (26.6)	85 (29.4)	90 (32.2)	95 (35)	100 (37.8)	105 (40.6)	110 (43.3)			
TMHT006M6 Compressor Model AKA9451ZXD	30 (-1.1)		8250 (2420)	7810 (2290)	7370 (2160)	6950 (2040)	6530 (1910)	6120 (1790)	-	-		
	25 (-3.9)		7490 (2200)	7070 (2070)	6650 (1950)	6250 (1830)	5860 (1720)	5480 (1610)	-	-		
	20 (-6.7)		6790 (1990)	6380 (1870)	5980 (1750)	5600 (1640)	5230 (1530)	4870 (1430)	-	-		
	15 (-9.4)		6180 (1810)	5780 (1690)	5390 (1580)	5020 (1470)	4660 (1370)	4310 (1260)	3960 (1160)			
	10 (-12.2)		5680 (1660)	5260 (1540)	4880 (1430)	4510 (1320)	4150 (1220)	3800 (1110)	3460 (1010)			
	5 (-15)		5260 (1540)	4850 (1420)	4460 (1310)	4090 (1200)	3720 (1090)	3370 (990)	3020 (890)			
0 (-17.8)		4990 (1460)	4550 (1330)	4150 (1220)	3760 (1100)	3380 (990)	3020 (890)	2660 (780)				
TMHT008M6 Compressor Model AKA9455ZXD	30 (-1.1)		9900 (2900)	9390 (2750)	8900 (2610)	8400 (2460)	7910 (2320)	7430 (2180)	6940 (2030)			
	25 (-3.9)		9030 (2650)	8570 (2510)	8110 (2380)	7650 (2240)	7200 (2110)	6750 (1980)	6300 (1850)			
	20 (-6.7)		8180 (2400)	7750 (2270)	7320 (2150)	6900 (2020)	6480 (1900)	6060 (1780)	5640 (1650)			
	15 (-9.4)		7340 (2150)	6950 (2040)	6550 (1920)	6160 (1810)	5770 (1690)	5380 (1580)	5000 (1470)			
	10 (-12.2)		6560 (1920)	6190 (1810)	5820 (1710)	5450 (1600)	5090 (1490)	4730 (1390)	4380 (1280)			
	5 (-15)		5830 (1710)	5480 (1610)	5140 (1510)	4800 (1410)	4460 (1310)	4130 (1210)	3800 (1110)			
0 (-17.8)		5180 (1520)	4860 (1420)	4540 (1330)	4220 (1240)	3900 (1140)	3590 (1050)	3290 (960)				
TMHT010M6 Compressor Model AKA9462ZXD	30 (-1.1)		10800 (3170)	10300 (3020)	9790 (2870)	9270 (2720)	8740 (2560)	8230 (2410)	7710 (2260)			
	25 (-3.9)		9900 (2900)	9400 (2750)	8920 (2610)	8430 (2470)	7930 (2320)	7450 (2180)	6960 (2040)			
	20 (-6.7)		9010 (2640)	8560 (2510)	8100 (2370)	7630 (2240)	7180 (2100)	6730 (1970)	6270 (1840)			
	15 (-9.4)		8170 (2390)	7750 (2270)	7310 (2140)	6890 (2020)	6460 (1890)	6040 (1770)	5610 (1640)			
	10 (-12.2)		7340 (2150)	6950 (2040)	6560 (1920)	6160 (1810)	5770 (1690)	5370 (1570)	4990 (1460)			
	5 (-15)		6540 (1920)	6180 (1810)	5810 (1700)	5450 (1600)	5080 (1490)	4720 (1380)	4360 (1280)			
0 (-17.8)		5720 (1680)	5390 (1580)	5060 (1480)	4720 (1380)	4380 (1280)	4050 (1190)	3720 (1090)				
TMHT015M6 Compressor Model AWA9490ZX	30 (-1.1)		16300 (4780)	15300 (4480)	14400 (4220)	13400 (3930)	12500 (3660)	11500 (3370)	10600 (3110)			
	25 (-3.9)		14900 (4370)	14000 (4100)	13200 (3870)	12300 (3600)	11500 (3370)	10600 (3110)	9740 (2850)			
	20 (-6.7)		13500 (3960)	12700 (3720)	11900 (3490)	11200 (3280)	10400 (3050)	9620 (2820)	8850 (2590)			
	15 (-9.4)		12100 (3550)	11400 (3340)	10700 (3140)	9990 (2930)	9290 (2720)	8600 (2520)	7920 (2320)			
	10 (-12.2)		10800 (3170)	10100 (2960)	9480 (2780)	8840 (2590)	8210 (2410)	7590 (2220)	6980 (2050)			
	5 (-15)		9520 (2790)	8910 (2610)	8320 (2440)	7750 (2270)	7180 (2100)	6620 (1940)	6080 (1780)			
0 (-17.8)		8380 (2460)	7820 (2290)	7270 (2130)	6740 (1980)	6220 (1820)	5720 (1680)	5230 (1530)				
TMHT020M6 Compressor Model AWA7512ZX	30 (-1.1)		20700 (6070)	19700 (5770)	18700 (5480)	17700 (5190)	16600 (4860)	15600 (4570)	14600 (4280)			
	25 (-3.9)		18900 (5540)	17900 (5250)	17000 (4980)	16000 (4690)	15100 (4430)	14100 (4130)	13200 (3870)			
	20 (-6.7)		17000 (4980)	16200 (4750)	15300 (4480)	14400 (4220)	13500 (3960)	12700 (3720)	11800 (3460)			
	15 (-9.4)		15300 (4480)	14500 (4250)	13700 (4020)	12900 (3780)	12100 (3550)	11300 (3310)	10500 (3080)			
	10 (-12.2)		13600 (3990)	12900 (3780)	12100 (3550)	11400 (3340)	10700 (3140)	9920 (2910)	9200 (2700)			
	5 (-15)		12000 (3520)	11300 (3310)	10700 (3140)	9990 (2930)	9310 (2730)	8640 (2530)	7980 (2340)			
0 (-17.8)		10500 (3080)	9900 (2900)	9290 (2720)	8680 (2540)	8060 (2360)	7460 (2190)	6850 (2010)				
TMHT0256M6 Compressor Model AWA7515ZX	30 (-1.1)		25800 (7560)	24700 (7240)	23500 (6890)	22400 (6560)	21200 (6210)	20000 (5860)	18900 (5540)			
	25 (-3.9)		23700 (6950)	22600 (6620)	21600 (6330)	20500 (6010)	19400 (5690)	18300 (5360)	17300 (5070)			
	20 (-6.7)		21500 (6300)	20600 (6040)	19600 (5740)	18600 (5450)	17600 (5160)	16700 (4890)	15600 (4570)			
	15 (-9.4)		19500 (5710)	18600 (5450)	17700 (5190)	16800 (4920)	15900 (4660)	15000 (4400)	14000 (4100)			
	10 (-12.2)		17400 (5100)	16600 (4860)	15800 (4630)	15000 (4400)	14200 (4160)	13300 (3900)	12500 (3660)			
	5 (-15)		15500 (4540)	14800 (4340)	14000 (4100)	13300 (3900)	12500 (3660)	11700 (3430)	10900 (3190)			
0 (-17.8)		13700 (4020)	13000 (3810)	12300 (3600)	11600 (3400)	10900 (3190)	10200 (2990)	9500 (2780)				
TMHT030M6 Compressor Model AVA9519ZX	30 (-1.1)		40600 (11900)	38600 (11310)	36600 (10730)	34600 (10140)	32600 (9550)	30600 (8970)	28600 (8380)			
	25 (-3.9)		36600 (10730)	34800 (10200)	32900 (9640)	31100 (9110)	29300 (8590)	27500 (8060)	25700 (7530)			
	20 (-6.7)		32900 (9640)	31200 (9140)	29500 (8650)	27900 (8180)	26200 (7680)	24600 (7210)	22900 (6710)			
	15 (-9.4)		29400 (8620)	27900 (8180)	26300 (7710)	24800 (7270)	23400 (6860)	21900 (6420)	20400 (5980)			
	10 (-12.2)		26200 (7680)	24800 (7270)	23400 (6860)	22000 (6450)	20700 (6070)	19300 (5660)	18000 (5280)			
	5 (-15)		23200 (6800)	21900 (6420)	20600 (6040)	19400 (5690)	18200 (5330)	17000 (4980)	15800 (4630)			
0 (-17.8)		20400 (5980)	19200 (5630)	18100 (5300)	17000 (4980)	15900 (4660)	14800 (4340)	13700 (4020)				
KEHT036M6 Compressor Model AVA7524ZX	30 (-1.1)		31900 (9350)	30300 (8880)	28700 (8410)	27100 (7940)	25500 (7470)	23900 (7000)	22200 (6510)			
	25 (-3.9)		29100 (8530)	27600 (8090)	26000 (7620)	24500 (7180)	23000 (6740)	21400 (6270)	19900 (5830)			
	20 (-6.7)		26700 (7820)	25200 (7390)	23700 (6950)	22200 (6510)	20800 (6100)	19300 (5660)	17900 (5250)			
	15 (-9.4)		24600 (7210)	23100 (6770)	21700 (6360)	20200 (5920)	18800 (5510)	17500 (5130)	16100 (4720)			
	10 (-12.2)		22700 (6650)	21200 (6210)	19800 (5800)	18400 (5390)	17100 (5010)	15700 (4600)	14400 (4220)			
	5 (-15)		21000 (6150)	19500 (5710)	18100 (5300)	16700 (4890)	15400 (4510)	14100 (4130)	12800 (3750)			
0 (-17.8)		19300 (5660)	17800 (5220)	16400 (4810)	15000 (4400)	13700 (4020)	12400 (3630)	11100 (3250)				
TMHT040M6 Compressor Model AVA9528ZX	30 (-1.1)		47300 (13860)	45100 (13220)	42900 (12570)	40700 (11930)	38500 (11280)	36300 (10640)	34000 (9960)			
	25 (-3.9)		42700 (12510)	40700 (11930)	38600 (11310)	36600 (10730)	34500 (10110)	32400 (9500)	30400 (8910)			
	20 (-6.7)		38500 (11280)	36600 (10730)	34700 (10170)	32800 (9610)	30900 (9060)	29000 (8500)	27000 (7910)			
	15 (-9.4)		34600 (10140)	32800 (9610)	31000 (9090)	29300 (8590)	27500 (8060)	25800 (7560)	24100 (7060)			
	10 (-12.2)		31000 (9090)	29300 (8590)	27700 (8120)	26100 (7650)	24500 (7180)	22900 (6710)	21400 (6270)			
	5 (-15)		27600 (8090)	26100 (7650)	24600 (7210)	23200 (6800)	21700 (6360)	20300 (5950)	18900 (5540)			
0 (-17.8)		24400 (7150)	23100 (6770)	21700 (6360)	20400 (5980)	19200 (5630)	17900 (5250)	16700 (4890)				

-- Outside Operating Range † Max 40°F RGT

table continues on next page >>>

**CAPACITY DATA - R404A R507**  
**MEDIUM TEMPERATURE (cont'd)**

CONDENSING UNIT MODEL	SATURATED SUCTION TEMPERATURE		CAPACITY BTU/H (WATTS) R404A R507 AMBIENT TEMPERATURE °F (°C)							
	° F	° C	80 (26.6)	85 (29.4)	90 (32.2)	95 (35)	100 (37.8)	105 (40.6)	110 (43.3)	
TMHT050M6 Compressor Model AGA9530ZX	30 (-1.1)		53700 (15740)	51000 (14950)	48400 (14180)	45700 (13390)	43000 (12600)	40300 (11810)	37600 (11020)	
	25 (-3.9)		48900 (14330)	46400 (13600)	43900 (12870)	41500 (12160)	39000 (11430)	36500 (10700)	34000 (9960)	
	20 (-6.7)		44200 (12950)	41900 (12280)	39600 (11610)	37300 (10930)	35000 (10260)	32700 (9580)	30500 (8940)	
	15 (-9.4)		39800 (11660)	37600 (11020)	35400 (10370)	33300 (9760)	31200 (9140)	29100 (8530)	27000 (7910)	
	10 (-12.2)		35500 (10400)	33500 (9820)	31400 (9200)	29500 (8650)	27500 (8060)	25600 (7500)	23700 (6950)	
	5 (-15)		31600 (9260)	29600 (8670)	27700 (8120)	25900 (7590)	24100 (7060)	22300 (6540)	20600 (6040)	
	0 (-17.8)		28000 (8210)	26200 (7680)	24400 (7150)	22700 (6650)	21000 (6150)	19400 (5690)	17800 (5220)	

**CAPACITY DATA - R404A R507**  
**LOW TEMPERATURE**

CONDENSING UNIT MODEL	SATURATED SUCTION TEMPERATURE		CAPACITY BTU/H (WATTS) R404A R507 AMBIENT TEMPERATURE °F (°C)							
	° F	° C	80 (26.6)	85 (29.4)	90 (32.2)	95 (35)	100 (37.8)	105 (40.6)	110 (43.3)	
TMHT008L6 Compressor Model AJA2425ZXD	0 (-17.8)		5430 (1590)	5000 (1470)	4590 (1350)	4230 (1240)	3890 (1140)	3570 (1050)	3280 (960)	
	-5 (-20.6)		4750 (1390)	4350 (1270)	3990 (1170)	3660 (1070)	3360 (980)	3080 (900)	2820 (830)	
	-10 (-23.3)		4110 (1200)	3750 (1100)	3420 (1000)	3120 (910)	2850 (840)	2620 (770)	2390 (700)	
	-15 (-26.1)		3520 (1030)	3180 (930)	2880 (840)	2630 (770)	2390 (700)	2180 (640)	1980 (580)	
	-20 (-28.9)		2990 (880)	2670 (780)	2400 (700)	2160 (630)	1960 (570)	1770 (520)	1610 (470)	
	-25 (-31.7)		2490 (730)	2200 (640)	1960 (570)	1740 (510)	1570 (460)	1400 (410)	1250 (370)	
	-30 (-34.4)		2060 (600)	1790 (520)	1570 (460)	1370 (400)	1210 (350)	1060 (310)	930 (270)	
TMHT010L6 Compressor Model AWA2440ZX	0 (-17.8)		7210 (2110)	6710 (1970)	6190 (1810)	5690 (1670)	5170 (1520)	4660 (1370)	4150 (1220)	
	-5 (-20.6)		6450 (1890)	5970 (1750)	5510 (1610)	5040 (1480)	4570 (1340)	4110 (1200)	3640 (1070)	
	-10 (-23.3)		5690 (1670)	5260 (1540)	4830 (1420)	4410 (1290)	3990 (1170)	3560 (1040)	3130 (920)	
	-15 (-26.1)		4930 (1440)	4550 (1330)	4170 (1220)	3790 (1110)	3410 (1000)	3030 (890)	2650 (780)	
	-20 (-28.9)		4200 (1230)	3860 (1130)	3530 (1030)	3190 (930)	2850 (840)	2520 (740)	2180 (640)	
	-25 (-31.7)		3500 (1030)	3210 (940)	2910 (850)	2630 (770)	2340 (690)	2050 (600)	1760 (520)	
	-30 (-34.4)		2840 (830)	2600 (760)	2350 (690)	2110 (620)	1860 (550)	1630 (480)	1380 (400)	
TMHT011L6 Compressor Model AWA2450ZX	0 (-17.8)		8970 (2630)	8360 (2450)	7770 (2280)	7170 (2100)	6590 (1930)	6030 (1770)	5470 (1600)	
	-5 (-20.6)		7980 (2340)	7430 (2180)	6870 (2010)	6310 (1850)	5780 (1690)	5250 (1540)	4740 (1390)	
	-10 (-23.3)		7010 (2050)	6500 (1900)	5980 (1750)	5480 (1610)	4990 (1460)	4500 (1320)	4030 (1180)	
	-15 (-26.1)		6080 (1780)	5600 (1640)	5130 (1500)	4680 (1370)	4220 (1240)	3780 (1110)	3350 (980)	
	-20 (-28.9)		5180 (1520)	4750 (1390)	4330 (1270)	3900 (1140)	3490 (1020)	3100 (910)	2710 (790)	
	-25 (-31.7)		4350 (1270)	3960 (1160)	3560 (1040)	3190 (930)	2820 (830)	2470 (720)	2130 (620)	
	-30 (-34.4)		3570 (1050)	3220 (940)	2870 (840)	2540 (740)	2220 (650)	1910 (560)	1620 (470)	
TMHT020L6 Compressor Model AWA2460ZX	0 (-17.8)		12000 (3520)	11200 (3280)	10500 (3080)	9650 (2830)	8870 (2600)	8110 (2380)	7360 (2160)	
	-5 (-20.6)		10800 (3170)	10000 (2930)	9300 (2730)	8560 (2510)	7830 (2290)	7120 (2090)	6420 (1880)	
	-10 (-23.3)		9530 (2790)	8870 (2600)	8200 (2400)	7520 (2200)	6840 (2000)	6170 (1810)	5530 (1620)	
	-15 (-26.1)		8340 (2440)	7750 (2270)	7140 (2090)	6520 (1910)	5900 (1730)	5280 (1550)	4690 (1370)	
	-20 (-28.9)		7200 (2110)	6670 (1950)	6140 (1800)	5570 (1630)	5020 (1470)	4460 (1310)	3910 (1150)	
	-25 (-31.7)		6090 (1780)	5640 (1650)	5170 (1520)	4690 (1370)	4180 (1230)	3680 (1080)	3180 (930)	
	-30 (-34.4)		5030 (1470)	4660 (1370)	4260 (1250)	3830 (1120)	3400 (1000)	2960 (870)	2510 (740)	
TMHT025L6 Compressor Model AWA2490ZX	0 (-17.8)		17500 (5130)	16500 (4840)	15400 (4510)	14300 (4190)	13300 (3900)	12200 (3580)	11200 (3280)	
	-5 (-20.6)		15600 (4570)	14700 (4310)	13700 (4020)	12800 (3750)	11800 (3460)	10800 (3170)	9890 (2900)	
	-10 (-23.3)		13800 (4040)	13000 (3810)	12100 (3550)	11300 (3310)	10400 (3050)	9520 (2790)	8660 (2540)	
	-15 (-26.1)		12100 (3550)	11400 (3340)	10600 (3110)	9860 (2890)	9060 (2660)	8280 (2430)	7520 (2200)	
	-20 (-28.9)		10500 (3080)	9870 (2890)	9220 (2700)	8530 (2500)	7830 (2290)	7130 (2090)	6440 (1890)	
	-25 (-31.7)		8940 (2620)	8440 (2470)	7880 (2310)	7280 (2130)	6660 (1950)	6040 (1770)	5420 (1590)	
	-30 (-34.4)		7490 (2200)	7080 (2070)	6610 (1940)	6100 (1790)	5560 (1630)	5010 (1470)	4460 (1310)	
TMHT030L6 Compressor Model AWA2512ZX	0 (-17.8)		22700 (6650)	21300 (6240)	19900 (5830)	18500 (5420)	17100 (5010)	15800 (4630)	14500 (4250)	
	-5 (-20.6)		20300 (5950)	19000 (5570)	17800 (5220)	16500 (4840)	15200 (4450)	14000 (4100)	12800 (3750)	
	-10 (-23.3)		18000 (5280)	16900 (4950)	15700 (4600)	14600 (4280)	13500 (3960)	12300 (3600)	11200 (3280)	
	-15 (-26.1)		15800 (4630)	14800 (4340)	13800 (4040)	12800 (3750)	11800 (3460)	10800 (3170)	9750 (2860)	
	-20 (-28.9)		13700 (4020)	12900 (3780)	12000 (3520)	11100 (3250)	10200 (2990)	9260 (2710)	8360 (2450)	
	-25 (-31.7)		11700 (3430)	11000 (3220)	10300 (3020)	9480 (2780)	8670 (2540)	7860 (2300)	7060 (2070)	
	-30 (-34.4)		9790 (2870)	9250 (2710)	8630 (2530)	7950 (2330)	7240 (2120)	6520 (1910)	5800 (1700)	

--- Outside Operating Range † Max 40°F RGT

CONDENSING UNIT MODEL	SATURATED SUCTION TEMPERATURE		CAPACITY BTU/H (WATTS) <b>R22</b> AMBIENT TEMPERATURE °F (°C)							
	° F	° C	80 (26.6)	85 (29.4)	90 (32.2)	95 (35)	100 (37.8)	105 (40.6)	110 (43.3)	
TMHT015H7 Compressor Model AWG5520WX	45 (7.2)		21800 (6390)	20900 (6130)	20100 (5890)	19300 (5660)	18400 (5390)	17600 (5160)	-	-
	40 (4.4)		19900 (5830)	19100 (5600)	18300 (5360)	17600 (5160)	16800 (4920)	16000 (4690)	-	-
	35 (1.7)		18100 (5300)	17400 (5100)	16700 (4890)	16000 (4690)	15200 (4450)	14500 (4250)	13800 (4040)	
	30 (-1.1)		16400 (4810)	15700 (4600)	15000 (4400)	14400 (4220)	13700 (4020)	13100 (3840)	12500 (3660)	
	25 (-3.9)		14700 (4310)	14100 (4130)	13500 (3960)	12900 (3780)	12300 (3600)	11700 (3430)	11100 (3250)	
	20 (-6.7)		13100 (3840)	12600 (3690)	12000 (3520)	11500 (3370)	10900 (3190)	10400 (3050)	9880 (2900)	
	15 (-9.4)		11700 (3430)	11100 (3250)	10600 (3110)	10100 (2960)	9640 (2830)	9160 (2680)	8680 (2540)	
10 (-12.2)		10300 (3020)	9800 (2870)	9330 (2730)	8870 (2600)	8420 (2470)	7980 (2340)	7550 (2210)		
TMHT020H7 Compressor Model AWG5524WX	45 (7.2)		28000 (8210)	27000 (7910)	26000 (7620)	25100 (7360)	24100 (7060)	23100 (6770)	22200 (6510)	
	40 (4.4)		25500 (7470)	24600 (7210)	23700 (6950)	22800 (6680)	21900 (6420)	21000 (6150)	20100 (5890)	
	35 (1.7)		23100 (6770)	22300 (6540)	21500 (6300)	20600 (6040)	19800 (5800)	19000 (5570)	18200 (5330)	
	30 (-1.1)		20900 (6130)	20100 (5890)	19400 (5690)	18600 (5450)	17800 (5220)	17100 (5010)	16300 (4780)	
	25 (-3.9)		18800 (5510)	18100 (5300)	17400 (5100)	16700 (4890)	16000 (4690)	15300 (4480)	14600 (4280)	
	20 (-6.7)		16800 (4920)	16100 (4720)	15500 (4540)	14800 (4340)	14200 (4160)	13500 (3960)	12900 (3780)	
	15 (-9.4)		14900 (4370)	14300 (4190)	13700 (4020)	13100 (3840)	12500 (3660)	11900 (3490)	11300 (3310)	
10 (-12.2)		13100 (3840)	12600 (3690)	12000 (3520)	11500 (3370)	10900 (3190)	10400 (3050)	9840 (2880)		
TMHT025H7 Compressor Model AWG5530WX	45 (7.2)		33500 (9820)	32500 (9520)	31500 (9230)	30400 (8910)	29300 (8590)	28300 (8290)	27100 (7940)	
	40 (4.4)		30700 (9000)	29700 (8700)	28700 (8410)	27800 (8150)	26800 (7850)	25800 (7560)	24800 (7270)	
	35 (1.7)		27900 (8180)	27000 (7910)	26100 (7650)	25200 (7390)	24300 (7120)	23400 (6860)	22500 (6590)	
	30 (-1.1)		25300 (7410)	24500 (7180)	23700 (6950)	22800 (6680)	22000 (6450)	21200 (6210)	20300 (5950)	
	25 (-3.9)		22800 (6680)	22000 (6450)	21300 (6240)	20500 (6010)	19800 (5800)	19000 (5570)	18200 (5330)	
	20 (-6.7)		20400 (5980)	19700 (5770)	19000 (5570)	18400 (5390)	17700 (5190)	17000 (4980)	16300 (4780)	
	15 (-9.4)		18200 (5330)	17500 (5130)	16900 (4950)	16300 (4780)	15600 (4570)	15000 (4400)	14400 (4220)	
10 (-12.2)		16100 (4720)	15500 (4540)	14900 (4370)	14300 (4190)	13700 (4020)	13100 (3840)	12600 (3690)		
TMHT030H7 Compressor Model AVA5538WX	45 (7.2)		41800 (12250)	40200 (11780)	38600 (11310)	37000 (10840)	35500 (10400)	33900 (9940)	-	-
	40 (4.4)		38200 (11200)	36700 (10760)	35200 (10320)	33800 (9910)	32300 (9470)	30800 (9030)	29300 (8590)	
	35 (1.7)		34600 (10140)	33200 (9730)	31900 (9350)	30500 (8940)	29200 (8560)	27800 (8150)	26500 (7770)	
	30 (-1.1)		31100 (9110)	29900 (8760)	28700 (8410)	27400 (8030)	26200 (7680)	24900 (7300)	23700 (6950)	
	25 (-3.9)		27800 (8150)	26700 (7820)	25600 (7500)	24500 (7180)	23300 (6830)	22200 (6510)	21000 (6150)	
	20 (-6.7)		24700 (7240)	23700 (6950)	22700 (6650)	21600 (6330)	20600 (6040)	19500 (5710)	18400 (5390)	
	15 (-9.4)		21800 (6390)	20900 (6130)	20000 (5860)	19000 (5570)	18000 (5280)	17100 (5010)	16000 (4690)	
10 (-12.2)		19200 (5630)	18400 (5390)	17500 (5130)	16600 (4860)	15700 (4600)	14800 (4340)	13800 (4040)		
TMHT035H7 Compressor Model AVA5542WX	45 (7.2)		49200 (14420)	47400 (13890)	45600 (13360)	43900 (12870)	42100 (12340)	40400 (11840)	38600 (11310)	
	40 (4.4)		44700 (13100)	43000 (12600)	41400 (12130)	39800 (11660)	38200 (11200)	36500 (10700)	34900 (10230)	
	35 (1.7)		40400 (11840)	38900 (11400)	37400 (10960)	35900 (10520)	34400 (10080)	33000 (9670)	31500 (9230)	
	30 (-1.1)		36400 (10670)	35000 (10260)	33700 (9880)	32300 (9470)	30900 (9060)	29600 (8670)	28200 (8260)	
	25 (-3.9)		32700 (9580)	31400 (9200)	30100 (8820)	28900 (8470)	27600 (8090)	26400 (7740)	25200 (7390)	
	20 (-6.7)		29200 (8560)	28000 (8210)	26800 (7850)	25700 (7530)	24500 (7180)	23400 (6860)	22300 (6540)	
	15 (-9.4)		25900 (7590)	24800 (7270)	23700 (6950)	22600 (6620)	21600 (6330)	20500 (6010)	19500 (5710)	
10 (-12.2)		22900 (6710)	21800 (6390)	20800 (6100)	19800 (5800)	18800 (5510)	17800 (5220)	16900 (4950)		
TMHT040H7 Compressor Model AGA5553WX	45 (7.2)		59700 (17500)	57500 (16850)	55300 (16210)	53100 (15560)	50900 (14920)	48800 (14300)	46700 (13690)	
	40 (4.4)		54200 (15880)	52100 (15270)	50000 (14650)	48000 (14070)	46000 (13480)	44000 (12900)	42000 (12310)	
	35 (1.7)		48900 (14330)	46900 (13740)	45000 (13190)	43100 (12630)	41200 (12070)	39400 (11550)	37500 (10990)	
	30 (-1.1)		43900 (12870)	42100 (12340)	40300 (11810)	38500 (11280)	36800 (10780)	35000 (10260)	33300 (9760)	
	25 (-3.9)		39200 (11490)	37500 (10990)	35800 (10490)	34200 (10020)	32500 (9520)	30900 (9060)	29400 (8620)	
	20 (-6.7)		34800 (10200)	33200 (9730)	31700 (9290)	30100 (8820)	28600 (8380)	27200 (7970)	25700 (7530)	
	15 (-9.4)		30800 (9030)	29300 (8590)	27900 (8180)	26500 (7770)	25000 (7330)	23700 (6950)	22300 (6540)	
10 (-12.2)		27100 (7940)	25800 (7560)	24400 (7150)	23100 (6770)	21800 (6390)	20500 (6010)	19300 (5660)		
TMHT045H7 Compressor Model AGA5561WX	45 (7.2)		64700 (18960)	62400 (18290)	60200 (17640)	58000 (17000)	55700 (16320)	53500 (15680)	-	-
	40 (4.4)		58800 (17230)	56700 (16620)	54500 (15970)	52500 (15390)	50400 (14770)	48300 (14160)	46300 (13570)	
	35 (1.7)		53100 (15560)	51100 (14980)	49200 (14420)	47200 (13830)	45300 (13280)	43400 (12720)	41500 (12160)	
	30 (-1.1)		47800 (14010)	45900 (13450)	44100 (12920)	42300 (12400)	40500 (11870)	38700 (11340)	36900 (10810)	
	25 (-3.9)		42800 (12540)	41000 (12020)	39300 (11520)	37600 (11020)	35900 (10520)	34300 (10050)	32700 (9580)	
	20 (-6.7)		38100 (11170)	36500 (10700)	34900 (10230)	33300 (9760)	31800 (9320)	30200 (8850)	28700 (8410)	
	15 (-9.4)		33800 (9910)	32300 (9470)	30800 (9030)	29400 (8620)	27900 (8180)	26500 (7770)	25100 (7360)	
10 (-12.2)		30000 (8790)	28600 (8380)	27200 (7970)	25800 (7560)	24500 (7180)	23200 (6800)	21900 (6420)		
TMHT050H7 Compressor Model AGA5568WX	45 (7.2)		73800 (21630)	71300 (20900)	68900 (20190)	66500 (19490)	64100 (18790)	61800 (18110)	59400 (17410)	
	40 (4.4)		66900 (19610)	64600 (18930)	62300 (18260)	60100 (17610)	57900 (16970)	55700 (16320)	53500 (15680)	
	35 (1.7)		60300 (17670)	58200 (17060)	56100 (16440)	54000 (15830)	52000 (15240)	49900 (14620)	47900 (14040)	
	30 (-1.1)		54200 (15880)	52200 (15300)	50200 (14710)	48300 (14160)	46400 (13600)	44500 (13040)	42600 (12480)	
	25 (-3.9)		48400 (14180)	46600 (13660)	44800 (13130)	43000 (12600)	41200 (12070)	39400 (11550)	37700 (11050)	
	20 (-6.7)		43100 (12630)	41400 (12130)	39700 (11630)	38100 (11170)	36400 (10670)	34800 (10200)	33200 (9730)	
	15 (-9.4)		38400 (11250)	36800 (10780)	35200 (10320)	33600 (9850)	32100 (9410)	30600 (8970)	29100 (8530)	
10 (-12.2)		34100 (9990)	32600 (9550)	31100 (9110)	29700 (8700)	28200 (8260)	26800 (7850)	25400 (7440)		

-- Outside Operating Range † Max 40°F RGT

**CAPACITY DATA - R404A R507**  
**EXTENDED MEDIUM TEMPERATURE**

CONDENSING UNIT MODEL	SATURATED SUCTION TEMPERATURE		CAPACITY BTU/H (WATTS)								R404A R507		AMBIENT TEMPERATURE °F (°C)	
	° F	° C	80 (26.6)	85 (29.4)	90 (32.2)	95 (35)	100 (37.8)	105 (40.6)	110 (43.3)					
TMHD016M6 Compressor Model MTZ18	35 (1.7)	18800 (5510)	17800 (5217)	16700 (4894)	15600 (4572)	14400 (4220)	13200 (3869)	12000 (3517)						
	30 (-1.1)	17400 (5100)	16500 (4836)	15500 (4543)	14500 (4250)	13400 (3927)	12300 (3605)	11200 (3283)						
	25 (-3.9)	16100 (4719)	15200 (4455)	14300 (4191)	13400 (3927)	12400 (3634)	11400 (3341)	10400 (3048)						
	20 (-6.7)	14700 (4308)	13900 (4074)	13100 (3839)	12300 (3605)	11400 (3341)	10500 (3077)	9520 (2790)						
	15 (-9.4)	13300 (3898)	12600 (3693)	11900 (3488)	11200 (3283)	10400 (3048)	9540 (2796)	8660 (2538)						
	10 (-12.2)	12000 (3517)	11400 (3341)	10800 (3165)	10100 (2960)	9350 (2740)	8590 (2518)	7790 (2283)						
	5 (-15.0)	10700 (3136)	10200 (2989)	9590 (2811)	8980 (2632)	8330 (2441)	7640 (2239)	6920 (2028)						
	0 (-17.8)	9430 (2764)	8970 (2629)	8460 (2479)	7910 (2318)	7330 (2148)	6710 (1967)	6050 (1773)						
	-5 (-20.6)	8230 (2412)	7820 (2292)	7360 (2157)	6870 (2013)	6340 (1858)	5780 (1694)	5180 (1518)						
-10 (-23.3)	7080 (2075)	6710 (1967)	6300 (1846)	5860 (1717)	5390 (1580)	4870 (1427)	4330 (1269)							
TMHD021M6 Compressor Model MTZ22	35 (1.7)	23900 (7005)	22700 (6653)	21400 (6272)	20200 (5920)	18900 (5539)	17500 (5129)	16200 (4748)						
	30 (-1.1)	21900 (6419)	20800 (6096)	19700 (5774)	18600 (5451)	17400 (5100)	16100 (4719)	14900 (4367)						
	25 (-3.9)	20000 (5862)	19000 (5569)	18000 (5275)	17000 (4982)	15900 (4660)	14800 (4338)	13600 (3986)						
	20 (-6.7)	18100 (5305)	17300 (5070)	16400 (4807)	15400 (4513)	14400 (4220)	13400 (3927)	12400 (3634)						
	15 (-9.4)	16400 (4807)	15600 (4572)	14700 (4308)	13900 (4074)	13000 (3810)	12100 (3546)	11200 (3283)						
	10 (-12.2)	14700 (4308)	13900 (4308)	13200 (3869)	12500 (3664)	11700 (3429)	10800 (3165)	10000 (2931)						
	5 (-15.0)	13000 (3810)	12400 (3634)	11700 (3429)	11100 (3253)	10400 (3048)	9610 (2817)	8850 (2594)						
	0 (-17.8)	11500 (3370)	10900 (3195)	10300 (3019)	9720 (2849)	9080 (2661)	8420 (2468)	7740 (2268)						
	-5 (-20.6)	10100 (2960)	9570 (2805)	9020 (2644)	8460 (2479)	7880 (2309)	7270 (2131)	6650 (1949)						
-10 (-23.3)	8790 (2576)	8290 (2430)	7790 (2283)	7260 (2128)	6730 (1972)	6180 (1811)	5610 (1644)							
TMHD025M6 Compressor Model MTZ28	35 (1.7)	28900 (8470)	27500 (8060)	26100 (7649)	24600 (7210)	23200 (6800)	21700 (6360)	20100 (5891)						
	30 (-1.1)	26400 (7737)	25200 (7386)	23800 (6975)	22500 (6594)	21200 (6213)	19800 (5803)	18400 (5393)						
	25 (-3.9)	24000 (7034)	22900 (6712)	21700 (6360)	20500 (6008)	19300 (5657)	18000 (5275)	16800 (4924)						
	20 (-6.7)	21700 (6360)	20700 (6067)	19600 (5744)	18500 (5422)	17400 (5100)	16300 (4777)	15200 (4455)						
	15 (-9.4)	19600 (5744)	18600 (5451)	17600 (5158)	16600 (4865)	15600 (4572)	14600 (4279)	13600 (3986)						
	10 (-12.2)	17500 (5129)	16600 (4865)	15800 (4631)	14900 (4367)	14000 (4103)	13100 (3839)	12100 (3546)						
	5 (-15.0)	15600 (4572)	14800 (4338)	14000 (4103)	13200 (3869)	12400 (3634)	11500 (3370)	10700 (3136)						
	0 (-17.8)	13800 (4045)	13100 (3839)	12300 (3605)	11600 (3400)	10800 (3165)	10100 (2960)	9360 (2743)						
	-5 (-20.6)	12200 (3576)	11500 (3370)	10800 (3165)	10100 (2960)	9420 (2761)	8740 (2562)	8080 (2368)						
-10 (-23.3)	10700 (3136)	10100 (2960)	9390 (2752)	8730 (2559)	8100 (2374)	7470 (2189)	6860 (2011)							
TMHD031M6 Compressor Model MTZ36	35 (1.7)	34100 (9994)	32400 (9496)	30700 (8998)	29000 (8499)	27200 (7972)	25500 (7474)	23700 (6946)						
	30 (-1.1)	31400 (9203)	29800 (8734)	28300 (8294)	26700 (7825)	25100 (7356)	23500 (6887)	21800 (6389)						
	25 (-3.9)	28700 (8411)	27300 (8001)	25900 (7591)	24400 (7151)	23000 (6741)	21500 (6301)	20000 (5862)						
	20 (-6.7)	26100 (7649)	24800 (7268)	23500 (6887)	22200 (6506)	20900 (6125)	19600 (5744)	18200 (5334)						
	15 (-9.4)	23600 (6917)	22500 (6594)	21300 (6243)	20100 (5891)	18900 (5539)	17700 (5188)	16500 (4836)						
	10 (-12.2)	21300 (6243)	20200 (5920)	19100 (5598)	18000 (5275)	17000 (4982)	15900 (4660)	14800 (4338)						
	5 (-15.0)	19100 (5598)	18100 (5305)	17100 (5012)	16100 (4719)	15100 (4426)	14100 (4132)	13100 (3839)						
	0 (-17.8)	17000 (4982)	16100 (4719)	15100 (4426)	14200 (4162)	13300 (3898)	12400 (3634)	11500 (3370)						
	-5 (-20.6)	15100 (4426)	14200 (4162)	13300 (3898)	12500 (3664)	11600 (3400)	10800 (3165)	9960 (2919)						
-10 (-23.3)	13300 (3898)	12400 (3634)	11600 (3400)	10800 (3165)	10000 (2931)	9240 (2708)	8490 (2488)							
TMHD036M6 Compressor Model MTZ44	35 (1.7)	40400 (11841)	38300 (11225)	36100 (10580)	33800 (9906)	31600 (9261)	29400 (8617)	27100 (7943)						
	30 (-1.1)	37200 (10903)	35200 (10317)	33200 (9730)	31200 (9144)	29100 (8529)	27100 (7943)	25000 (7327)						
	25 (-3.9)	34100 (9994)	32200 (9437)	30400 (8910)	28500 (8353)	26700 (7825)	24800 (7268)	22900 (6712)						
	20 (-6.7)	31000 (9086)	29300 (8587)	27600 (8089)	25900 (7591)	24200 (7093)	22500 (6594)	20800 (6096)						
	15 (-9.4)	28100 (8236)	26500 (7767)	25000 (7327)	23400 (6858)	21800 (6389)	20300 (5950)	18700 (5481)						
	10 (-12.2)	25300 (7415)	23800 (6975)	22400 (6565)	20900 (6125)	19500 (5715)	18100 (5305)	16700 (4894)						
	5 (-15.0)	22600 (6624)	21200 (6213)	19900 (5832)	18600 (5451)	17300 (5070)	16000 (4689)	14700 (4308)						
	0 (-17.8)	20100 (5891)	18800 (5510)	17600 (5158)	16300 (4777)	15100 (4426)	14000 (4103)	12800 (3751)						
	-5 (-20.6)	17800 (5217)	16600 (4865)	15400 (4513)	14200 (4162)	13100 (3839)	12000 (3517)	10900 (3195)						
-10 (-23.3)	15600 (4572)	14500 (4250)	13300 (3898)	12200 (3576)	11200 (3283)	10200 (2989)	9170 (2688)							
TMHD040M6 Compressor Model MTZ50	35 (1.7)	51800 (15182)	49200 (14420)	46600 (13658)	44000 (12896)	41300 (12104)	38600 (11313)	35900 (10522)						
	30 (-1.1)	47500 (13921)	45100 (13218)	42700 (12515)	40300 (11811)	37900 (11108)	35400 (10375)	32900 (9642)						
	25 (-3.9)	43300 (12691)	41100 (12046)	38900 (11401)	36700 (10756)	34500 (10111)	32200 (9437)	30000 (8792)						
	20 (-6.7)	39300 (11518)	37300 (10932)	35300 (10346)	33300 (9760)	31200 (9144)	29200 (8558)	27100 (7943)						
	15 (-9.4)	35500 (10404)	33700 (9877)	31800 (9320)	29900 (8763)	28100 (8236)	26200 (7679)	24400 (7151)						
	10 (-12.2)	31900 (9349)	30200 (8851)	28500 (8353)	26800 (7855)	25100 (7356)	23400 (6858)	21700 (6360)						
	5 (-15.0)	28500 (8353)	26900 (7884)	25300 (7415)	23800 (6975)	22200 (6506)	20600 (6038)	19100 (5598)						
	0 (-17.8)	25400 (7444)	23900 (7005)	22400 (6565)	20900 (6125)	19500 (5715)	18000 (5275)	16600 (4865)						
	-5 (-20.6)	22500 (6594)	21100 (6184)	19700 (5774)	18300 (5363)	16900 (4953)	15600 (4572)	14300 (4191)						
-10 (-23.3)	19900 (5832)	18500 (5422)	17100 (5012)	15800 (4631)	14500 (4250)	13300 (3898)	12100 (3546)							
TMHD050M6 Compressor Model MTZ56	35 (1.7)	55400 (16237)	52700 (15445)	49900 (14625)	47000 (13775)	44200 (12954)	41300 (12104)	38500 (11284)						
	30 (-1.1)	51100 (14977)	48500 (14215)	45900 (13453)	43400 (12720)	40800 (11958)	38100 (11166)	35500 (10404)						
	25 (-3.9)	46800 (13716)	44500 (13042)	42100 (12339)	39700 (11635)	37300 (10932)	34900 (10229)	32500 (9525)						
	20 (-6.7)	42700 (12515)	40500 (11870)	38400 (11254)	36200 (10610)	34000 (9965)	31800 (9320)	29600 (8675)						
	15 (-9.4)	38700 (11342)	36700 (10756)	34700 (10170)	32700 (9584)	30700 (8998)	28700 (8411)	26700 (7825)						
	10 (-12.2)	34900 (10229)	33000 (9672)	31200 (9144)	29400 (8617)	27500 (8060)	25700 (7532)	23900 (7005)						
	5 (-15.0)	31300 (9174)	29600 (8675)	27800 (8148)	26100 (7649)	24500 (7181)	22800 (6682)	21100 (6184)						
	0 (-17.8)	27900 (8177)	26200 (7679)	24600 (7210)	23100 (6770)	21500 (6301)	20000 (5862)	18400 (5393)						
	-5 (-20.6)	24700 (7239)	23100 (6770)	21600 (6331)	20100 (5891)	18700 (5481)	17200 (5041)	15800 (4631)						
-10 (-23.3)	21700 (6360)	20200 (5920)	18800 (5510)	17400 (5100)	16000 (4689)	14600 (4279)	13300 (3898)							

--- Outside Operating Range † Max 40°F RGT

**CAPACITY DATA - R404A R507**  
**LOW TEMPERATURE**

**60Hz**

CONDENSING UNIT MODEL	SATURATED SUCTION TEMPERATURE		CAPACITY BTU/H (WATTS) R404A R507								AMBIENT TEMPERATURE °F (°C)	
	° F	° C	80 (26.6)	85 (29.4)	90 (32.2)	95 (35)	100 (37.8)	105 (40.6)	110 (43.3)			
TMHD015L6 Compressor Model NTZ048	-5 (-20.6)		10400 (3048)	9880 (2896)	9330 (2734)	8780 (2573)	8230 (2412)	7680 (2251)	7140 (2093)			
	-10 (-23.3)		9250 (2711)	8760 (2567)	8260 (2421)	7770 (2277)	7270 (2131)	6780 (1987)	6280 (1840)			
	-15 (-26.1)		8120 (2380)	7670 (2248)	7230 (2119)	6790 (1990)	6340 (1858)	5900 (1729)	5470 (1603)			
	-20 (-28.9)		7060 (2069)	6650 (1949)	6260 (1835)	5860 (1717)	5470 (1603)	5080 (1489)	4690 (1374)			
	-25 (-31.7)		6050 (1773)	5700 (1670)	5350 (1568)	5000 (1465)	4640 (1360)	4280 (1254)	3930 (1152)			
	-30 (-34.4)		5120 (1501)	4800 (1407)	4490 (1316)	4170 (1222)	3860 (1131)	3540 (1037)	3230 (947)			
	-35 (-37.2)		4250 (1246)	3980 (1166)	3690 (1081)	3410 (999)	3130 (917)	2850 (835)	2580 (756)			
	-40 (-40.0)		3460 (1014)	3200 (938)	2960 (867)	2700 (791)	2450 (718)	2200 (645)	1960 (574)			
TMHD025L6 Compressor Model NTZ068	-5 (-20.6)		14800 (4337)	14000 (4103)	13200 (3869)	12400 (3634)	11600 (3400)	10900 (3194)	10200 (2989)			
	-10 (-23.3)		13200 (3869)	12400 (3634)	11700 (3429)	11000 (3224)	10300 (3019)	9610 (2816)	8970 (2629)			
	-15 (-26.1)		11700 (3429)	11000 (3224)	10300 (3019)	9640 (2825)	9020 (2643)	8430 (2471)	7860 (2304)			
	-20 (-28.9)		10200 (2989)	9610 (2816)	9000 (2638)	8430 (2471)	7870 (2306)	7340 (2151)	6830 (2002)			
	-25 (-31.7)		8960 (2626)	8380 (2456)	7840 (2298)	7320 (2145)	6830 (2002)	6360 (1864)	5900 (1729)			
	-30 (-34.4)		7780 (2280)	7260 (2128)	6780 (1987)	6310 (1849)	5870 (1720)	5450 (1597)	5050 (1480)			
	-35 (-37.2)		6720 (1969)	6250 (1832)	5820 (1706)	5410 (1586)	5010 (1468)	4640 (1360)	4270 (1251)			
	-40 (-40.0)		5770 (1691)	5350 (1568)	4950 (1451)	4580 (1342)	4230 (1240)	3900 (1143)	3570 (1046)			
TMHD031L6 Compressor Model NTZ096	-5 (-20.6)		22800 (6682)	21700 (6360)	20500 (6008)	19400 (5686)	18200 (5334)	17000 (4982)	15800 (4631)			
	-10 (-23.3)		20100 (5891)	19100 (5598)	18000 (5275)	17000 (4982)	15900 (4660)	14800 (4337)	13700 (4015)			
	-15 (-26.1)		17600 (5158)	16700 (4894)	15700 (4601)	14700 (4308)	13700 (4015)	12700 (3722)	11700 (3429)			
	-20 (-28.9)		15300 (4484)	14400 (4220)	13500 (3956)	12600 (3693)	11700 (3429)	10700 (3136)	9810 (2875)			
	-25 (-31.7)		13100 (3839)	12300 (3605)	11500 (3370)	10600 (3107)	9760 (2860)	8920 (2614)	8060 (2362)			
	-30 (-34.4)		11100 (3253)	10400 (3048)	9580 (2808)	8810 (2582)	8020 (2350)	7230 (2119)	6450 (1890)			
	-35 (-37.2)		9280 (2720)	8580 (2515)	7860 (2304)	7140 (2093)	6410 (1879)	5680 (1665)	4950 (1451)			
	-40 (-40.0)		7620 (2233)	6960 (2040)	6290 (1843)	5610 (1644)	4930 (1445)	4250 (1246)	3570 (1046)			
TMHD040L6 Compressor Model NTZ136	-5 (-20.6)		30800 (9027)	29400 (8616)	27900 (8177)	26500 (7766)	25000 (7327)	23500 (6887)	22000 (6448)			
	-10 (-23.3)		27400 (8030)	26100 (7649)	24700 (7239)	23400 (6858)	22100 (6477)	20700 (6067)	19400 (5686)			
	-15 (-26.1)		24100 (7063)	22900 (6711)	21700 (6360)	20500 (6008)	19300 (5656)	18100 (5305)	16900 (4953)			
	-20 (-28.9)		21000 (6154)	20000 (5861)	18900 (5539)	17800 (5217)	16700 (4894)	15600 (4572)	14500 (4250)			
	-25 (-31.7)		18200 (5334)	17200 (5041)	16200 (4748)	15200 (4455)	14200 (4162)	13300 (3898)	12300 (3605)			
	-30 (-34.4)		15500 (4543)	14600 (4279)	13700 (4015)	12800 (3751)	11900 (3488)	11100 (3253)	10200 (2989)			
	-35 (-37.2)		13000 (3810)	12200 (3575)	11400 (3341)	10600 (3107)	9820 (2878)	9010 (2641)	8210 (2406)			
	-40 (-40.0)		10800 (3165)	10000 (2931)	9310 (2728)	8570 (2512)	7840 (2298)	7110 (2084)	6390 (1873)			

CONDENSING UNIT MODEL	COMPRESSOR MODEL NO.	POWER SUPPLY	COMPRESSOR		CONDENSER FAN MOTOR		UNIT		
			RLA	LRA	QTY	FLA	MCA	MOP	
TMHA015H7-*	S2A	CR18K6E-PFV	208-230/1/60	9.4	49.0	1	0.5	12.3	20
	T3A	CR18K6E-TF5	208-230/3/60	5.4	49.0	1	0.5	7.3	15
TMHA020H7-*	S2A	CR24K6E-PFV	208-230/1/60	11.2	61.0	1	1.1	15.1	25
	T3A	CR24K6E-TF5	208-230/3/60	6.9	55.0	1	1.1	9.7	15
TMHA025H7-*	S2A	CR32K6E-PFV	208-230/1/60	14.4	82.0	1	1.1	19.1	35
	T3A	CR32K6E-TF5	208-230/3/60	9.0	72.0	1	1.1	12.4	20
TMHA031H7-*	S2A	CR38K6E-PFV	208-230/1/60	17.1	105.0	1	1.1	22.5	35
	T3A	CR38K6E-TF5	208-230/3/60	10.7	85.0	1	1.1	14.5	25
TMHA035H7-*	S2A	CR42K6E-PFV	208-230/1/60	18.3	102.0	1	2.1	25.0	40
	T3A	CR42K6E-TF5	208-230/3/60	12.6	91.0	1	2.1	17.9	30
TMHA040H7-*	S2A	CR53KQE-PFV	208-230/1/60	26.0	140.0	1	2.1	34.6	60
	T3A	CR53KQE-TF5	208-230/3/60	16.3	107.0	1	2.1	22.5	35
TMHA050H7-*	S2A	CRNQ-050E-PFV	208-230/1/60	30.8	142.0	1	2.1	40.6	70
	T3A	CRNQ-050E-TF5	208-230/3/60	19.2	130.0	1	2.1	26.1	45
TMHA006E6-*	S1A	RST45C1E-CAA	115/1/60	9.4	54.5	1	1.1	12.9	20
	S2A	RST45C1E-CAV	208-230/1/60	4.6	26.5	1	0.5	6.3	15
TMHA008E6-*	S1A	RST55C1E-CAA	115/1/60	13.5	70.0	1	1.1	18.0	30
	S2A	RST55C2E-CAV	208-230/1/60	6.1	33.7	1	0.5	8.1	15
TMHA009E6-*	S1A	RST64C1E-CFA	115/1/60	13.1	77.0	1	1.1	17.5	30
	S2A	RST64C1E-CAV	208-230/1/60	8.0	43.0	1	0.5	10.5	15
TMHA010E6-*	S2A	RST70C1E-PFV	208-230/1/60	6.9	46.0	1	0.5	9.1	15
	T3A	RST70C1E-TFC	208-230/3/60	4.9	36.0	1	0.5	6.6	15
TMHA016E6-*	S2A	CS10K6E-PFV	208-230/1/60	9.8	56.0	1	0.5	12.8	20
	T3A	CS10K6E-TF5	208-230/3/60	6.7	51.0	1	0.5	8.9	15
TMHA021E6-*	S2A	CS12K6E-PFV	208-230/1/60	9.8	56.0	1	1.1	13.4	20
	T3A	CS12K6E-TF5	208-230/3/60	6.7	51.0	1	1.1	9.5	15
TMHA025E6-*	S2A	CS14K6E-PFV	208-230/1/60	11.2	61.0	1	1.1	15.1	25
	T3A	CS14K6E-TF5	208-230/3/60	8.2	55.0	1	1.1	11.4	15
TMHA031E6-*	S2A	CS18K6E-PFV	208-230/1/60	14.4	82.0	1	1.1	19.0	30
	T3A	CS18K6E-TF5	208-230/3/60	7.9	65.5	1	1.1	11.0	15
TMHA035E6-*	S2A	CS20K6E-PFV	208-230/1/60	16.7	96.0	1	1.1	21.9	35
	T3A	CS20K6E-TF5	208-230/3/60	10.2	75.0	1	1.1	13.9	20
TMHA040E6-*	S2A	CS27K6E-PFV	208-230/1/60	21.5	95.4	1	2.1	28.9	50
	T3A	CS27K6E-TF5	208-230/3/60	14.0	82.0	1	2.1	19.6	30
TMHA050E6-*	S2A	CS33K6E-PFV	208-230/1/60	27.6	125.0	1	2.1	36.6	60
	T3A	CS33K6E-TF5	208-230/3/60	16.8	102.0	1	2.1	23.1	35
TMHA006L6-*	S1A	RFT22C1E-CAA	115/1/60	7.1	54.5	1	1.1	10.0	15
	S2A	RFT22C1E-CAV	208-230/1/60	4.7	29.0	1	0.5	6.4	15
TMHA008L6-*	S1A	RFT26C1E-CAA	115/1/60	9.7	66.0	1	1.1	13.2	20
	S2A	RFT26C1E-CAV	208-230/1/60	5.8	35.5	1	0.5	7.8	15
TMHA010L6-*	S2A	CF04K6E-PFV	208-230/1/60	9.9	59.2	1	0.5	12.9	20
	T3A	CF04K6E-TF5	208-230/3/60	6.1	52.0	1	0.5	8.1	15
TMHA020L6-*	S2A	CF06K6E-PFV	208-230/1/60	10.3	59.2	1	0.5	13.3	20
	T3A	CF06K6E-TF5	208-230/3/60	6.3	52.0	1	0.5	8.4	15
TMHA025L6-*	S2A	CF09K6E-PFV	208-230/1/60	15.0	87.0	1	1.1	19.9	30
	T3A	CF09K6E-TF5	208-230/3/60	9.2	72.2	1	1.1	12.6	20
TMHA031L6-*	S2A	CF12K6E-PFV	208-230/1/60	18.4	105.0	1	1.1	24.1	40
	T3A	CF12K6E-TF5	208-230/3/60	11.0	85.0	1	1.1	14.9	25

\* I = Indoor, H = Outdoor. Above listed RLA value is based on UL rating method and may differ from published compressor RLA data.

CONDENSING UNIT MODEL	COMPRESSOR MODEL NO.	POWER SUPPLY	COMPRESSOR		CONDENSER FAN MOTOR		UNIT		
			RLA	LRA	QTY	FLA	MCA	MOP	
TMHT015H7-*	S2A	AWG5520WXN	208-230/1/60	9.5	52	1	0.5	12.4	20
	T3A	AWG5520WXT	208-230/3/60	6.1	51	1	0.5	8.1	15
TMHT020H7-*	S2A	AWG5524WXN	208-230/1/60	11.7	60	1	1.1	15.8	25
	T3A	AWG5524WXT	208-230/3/60	7.8	50	1	1.1	10.8	15
TMHT025H7-*	S2A	AWG5530WXN	208-230/1/60	13.9	70.0	1	1.1	18.5	30
	T3A	AWG5530WXT	208-230/3/60	10.4	63.4	1	1.1	14.1	20
TMHT030H7-*	S2A	AVA5538WXN	208-230/1/60	19.7	95	1	1.1	25.8	45
	T3A	AVA5538WXT	208-230/3/60	13.5	73.4	1	1.1	17.9	30
TMHT035H7-*	S2A	AVA5542WXN	208-230/1/60	22.1	108.0	1	2.1	29.7	50
	T3A	AVA5542WXT	208-230/3/60	13.7	74	1	2.1	19.2	30
TMHT040H7-*	S2A	AGA5553WXN	208-230/1/60	28.5	132	1	2.1	37.8	60
	T3A	AGA5553WXT	208-230/3/60	16.5	103	1	2.1	22.7	35
TMHT045H7-*	S2A	AGA5561WXN	208-230/1/60	30.5	165	1	2.1	40.2	70
	T3A	AGA5561WXT	208-230/3/60	18.8	126	1	2.1	25.6	40
TMHT050H7-*	S2A	AGA5568WXN	208-230/1/60	34.6	179	1	2.1	45.4	80
	T3A	AGA5568WXT	208-230/3/60	21.5	135	1	2.1	29.0	50
TMHT006M6-*	S2A	AKA9451ZXD	208-230/1/60	5.9	31	1	0.5	7.9	15
TMHT008M6-*	S2A	AKA9455ZXD	208-230/1/60	5.8	31	1	0.5	7.8	15
TMHT010M6-*	S2A	AKA9462ZXD	208-230/1/60	6.3	34	1	0.5	8.4	15
TMHT015M6-*	S2A	AWA9490ZXN	208-230/1/60	10.6	52	1	1.1	14.4	25
	T3A	AWA9490ZXT	208-230/3/60	6.7	51	1	1.1	9.5	15
TMHT020M6-*	S2A	AWA7512ZXD	208-230/1/60	12.8	73	1	1.1	17.1	25
	T3A	AWA7512ZXT	208-230/3/60	8.3	63.4	1	1.1	11.5	15
TMHT025M6-*	S2A	AWA7515ZXD	208-230/1/60	16.0	96.8	1	1.1	21.1	35
	T3A	AWA7515ZXT	208-230/3/60	8.3	63.4	1	1.1	11.5	15
TMHT030M6-*	S2A	AVA9519ZXN	208-230/1/60	20.3	95	1	1.1	26.5	40
	T3A	AVA9519ZXT	208-230/3/60	13.8	73.4	1	1.1	18.3	30
TMHT036M6-*	S2A	AVA7524ZXN	208-230/1/60	21.3	106.6	1	2.1	28.8	50
	T3A	AVA7524ZXT	208-230/3/60	11.3	65.1	1	2.1	16.3	25
TMHT040M6-*	S2A	AVA9528ZXN	208-230/1/60	30.3	132	1	2.1	40.0	70
	T3A	AVA9528ZXT	208-230/3/60	19.3	110	1	2.1	26.2	45
TMHT050M6-*	S2A	AGA9530ZXN	208-230/1/60	34.5	165	1	2.1	45.2	70
	T3A	AGA9530ZXT	208-230/3/60	18.7	126	1	2.1	25.5	40
TMHT008L6-*	S2A	AJA2425ZXD	208-230/1/60	4.5	38.7	1	0.5	6.1	15
TMHT010L6-*	S2A	AWA2440ZXD	208-230/1/60	8.7	73	1	0.5	11.3	20
	T3A	AWA2440ZXT	208-230/3/60	4.9	40.5	1	0.5	6.7	15
TMHT011L6-*	S2A	AWA2450ZXD	208-230/1/60	9.4	56.0	1	0.5	12.3	20
	T3A	AWA2450ZXT	208-230/3/60	5.8	40.5	1	0.5	7.8	15
TMHT020L6-*	S2A	AWA2460ZXD	208-230/1/60	12.6	86	1	0.5	16.2	25
	T3A	AWA2460ZXT	208-230/3/60	8.3	63.4	1	0.5	10.9	15
TMHT025L6-*	S2A	AVA2490ZXN	208-230/1/60	16.2	106.6	1	1.1	21.4	35
	T3A	AVA2490ZXT	208-230/3/60	9.9	65.1	1	1.1	13.4	20
TMHT030L6-*	S2A	AVA2512ZXN	208-230/1/60	20.8	120.3	1	1.1	27.1	40
	T3A	AVA2512ZXT	208-230/3/60	11.0	65.1	1	1.1	14.8	25

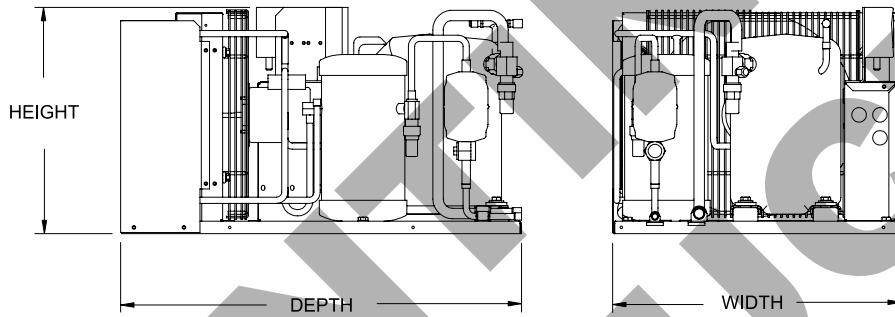
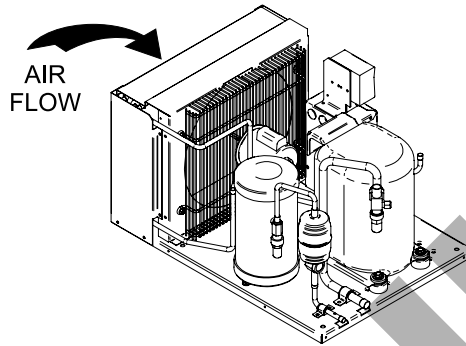
\* I = Indoor, H = Outdoor. Above listed RLA value is based on UL rating method and may differ from published compressor RLA data.



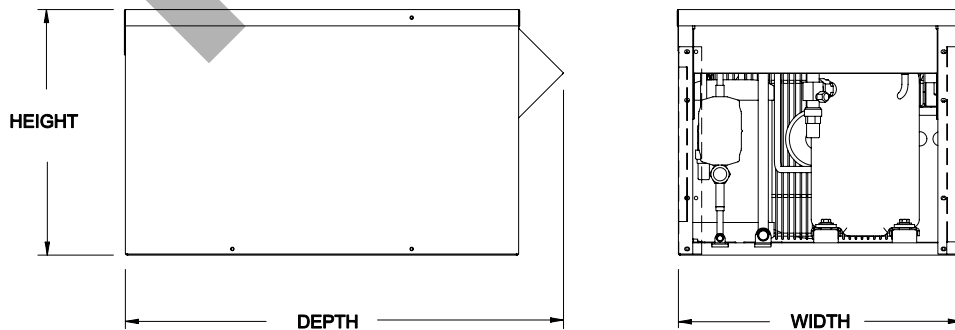
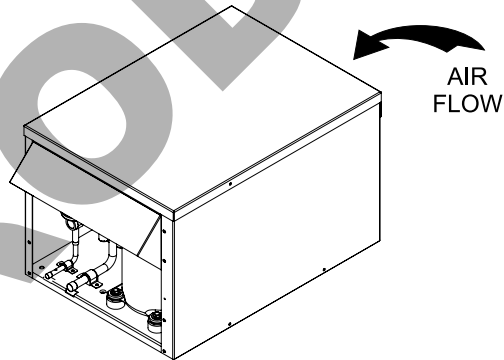
CONDENSING UNIT MODEL	COMPRESSOR MODEL NO.	POWER SUPPLY	COMPRESSOR		CONDENSER FAN MOTOR		UNIT		
			RLA	LRA	QTY	FLA	MCA	MOP	
TMHD016M6-*	S2A	MTZ18-1VM	208-230/1/60	8.3	51.0	1	0.5	10.9	15
	T3A	MTZ18-3VM	208-230/3/60	5.8	38.0	1	0.5	7.7	15
TMHD021M6-*	S2A	MTZ22-1VM	208-230/1/60	10.9	49.3	1	1.1	14.7	25
	T3A	MTZ22-3VM	208-230/3/60	7.1	38.0	1	1.1	9.9	15
TMHD025M6-*	S2A	MTZ28-1VM	208-230/1/60	16.0	81.0	1	1.1	21.1	35
	T3A	MTZ28-3VM	208-230/3/60	10.3	57.0	1	1.1	13.9	20
TMHD031M6-*	S2A	MTZ36-1VM	208-230/1/60	19.2	84.0	1	1.1	25.1	40
	T3A	MTZ36-3VM	208-230/3/60	10.9	74.0	1	1.1	14.7	25
TMHD036M6-*	S2A	MTZ44-1VM	208-230/1/60	19.9	97.0	1	2.1	27.0	45
	T3A	MTZ44-3VM	208-230/3/60	14.1	115.0	1	2.1	19.7	30
TMHD040M6-*	S2A	MTZ50-1VM	208-230/1/60	23.1	114.0	1	2.1	30.9	50
	T3A	MTZ50-3VM	208-230/3/60	16.0	115.0	1	2.1	22.1	35
TMHD050M6-*	S2A	MTZ56-1VM	208-230/1/60	27.2	136.0	1	2.1	36.2	60
	T3A	MTZ56-3VM	208-230/3/60	16.7	130.0	1	2.1	22.9	35
TMHD015L6-*	S2A	NTZ048-1	208-230/1/60	8.5	43.7	1	0.5	11.1	20
	T3A	NTZ048-3	208-230/3/60	6.5	32.0	1	0.5	8.6	15
TMHD025L6-*	S2A	NTZ068-1	208-230/1/60	13.5	72.0	1	1.1	18.0	30
	T3A	NTZ068-3	208-230/3/60	9.5	48.5	1	1.1	13.0	20
TMHD031L6-*	S2A	NTZ096-1	208-230/1/60	19.9	97.0	1	1.1	26	45
	T3A	NTZ096-3	208-230/3/60	13.1	72.0	1	1.1	17.5	30
TMHD040L6-*	S2A	NTZ136-1	208-230/1/60	26.3	140.0	1	2.1	35.0	60
	T3A	NTZ136-3	208-230/3/60	18.6	97.2	1	2.1	25.4	40

\* I = Indoor, H = Outdoor. Above listed RLA value is based on UL rating method and may differ from published compressor RLA data.

INDOOR DIMENSIONS



OUTDOOR DIMENSIONS



CONDENSING UNIT MODEL	OUTDOOR MODELS						INDOOR MODELS					
	LENGTH		DEPTH		HEIGHT		LENGTH		DEPTH		HEIGHT	
	Inches	mm	Inches	mm	Inches	mm	Inches	mm	Inches	mm	Inches	mm
TMHA015H7	19 7/8	503	27	686	15	383	19 5/8	498	24 1/4	614	15 7/8	403
TMHA020H7	33	838	29 1/4	743	19 5/8	498	32 7/8	835	24 1/4	614	19 3/8	492
TMHA025H7	33	838	29 1/4	743	19 5/8	498	32 7/8	835	24 1/4	614	19 3/8	492
TMHA031H7	33	838	29 1/4	743	19 5/8	498	32 7/8	835	24 1/4	614	19 3/8	492
TMHA035H7	42 3/8	1075	36 1/4	919	29 1/2	749	43 1/8	1095	28 1/4	716	29	737
TMHA040H7	42 3/8	1075	36 1/4	919	29 1/2	749	43 1/8	1095	28 1/4	716	29	737
TMHA050H7	42 3/8	1075	36 1/4	919	29 1/2	749	43 1/8	1095	28 1/4	716	29	737
TMHA006E6	17 7/8	452	27	686	16	408	17 5/8	448	24 1/4	614	13 1/3	338
TMHA008E6	17 7/8	452	27	686	16	408	17 5/8	448	24 1/4	614	13 1/3	338
TMHA009E6	17 7/8	452	27	686	16	408	17 5/8	448	24 1/4	614	13 1/3	338
TMHA010E6	17 7/8	452	27	686	16	408	17 5/8	448	24 1/4	614	13 1/3	338
TMHA016E6	19 7/8	503	27	686	16	408	19 5/8	498	24 1/4	614	15 7/8	403
TMHA021E6	33	838	29 1/4	743	19 5/8	498	32 7/8	835	24 1/4	614	19 3/8	492
TMHA025E6	33	838	29 1/4	743	19 5/8	498	32 7/8	835	24 1/4	614	19 3/8	492
TMHA031E6	33	838	29 1/4	743	19 5/8	498	32 7/8	835	24 1/4	614	19 3/8	492
TMHA035E6	33	838	29 1/4	743	19 5/8	498	32 7/8	835	24 1/4	614	19 3/8	492
TMHA040E6	42 3/8	1075	36 1/4	919	29 1/2	749	43 1/8	1095	28 1/4	716	29	737
TMHA050E6	42 3/8	1075	36 1/4	919	29 1/2	749	43 1/8	1095	28 1/4	716	29	737
TMHA006L6	17 7/8	452	27	686	16	408	17 5/8	448	24 1/4	614	13 1/3	338
TMHA008L6	17 7/8	452	27	686	16	408	17 5/8	448	24 1/4	614	13 1/3	338
TMHA010L6	17 7/8	452	27	686	16	408	17 5/8	448	24 1/4	614	14 1/2	368
TMHA020L6	19 7/8	503	27	686	16	408	19 5/8	498	24 1/4	614	15 7/8	403
TMHA025L6	33	838	29 1/4	743	19 5/8	498	32 7/8	835	24 1/4	614	19 3/8	492
TMHA031L6	33	838	29 1/4	743	19 5/8	498	32 7/8	835	24 1/4	614	19 3/8	492

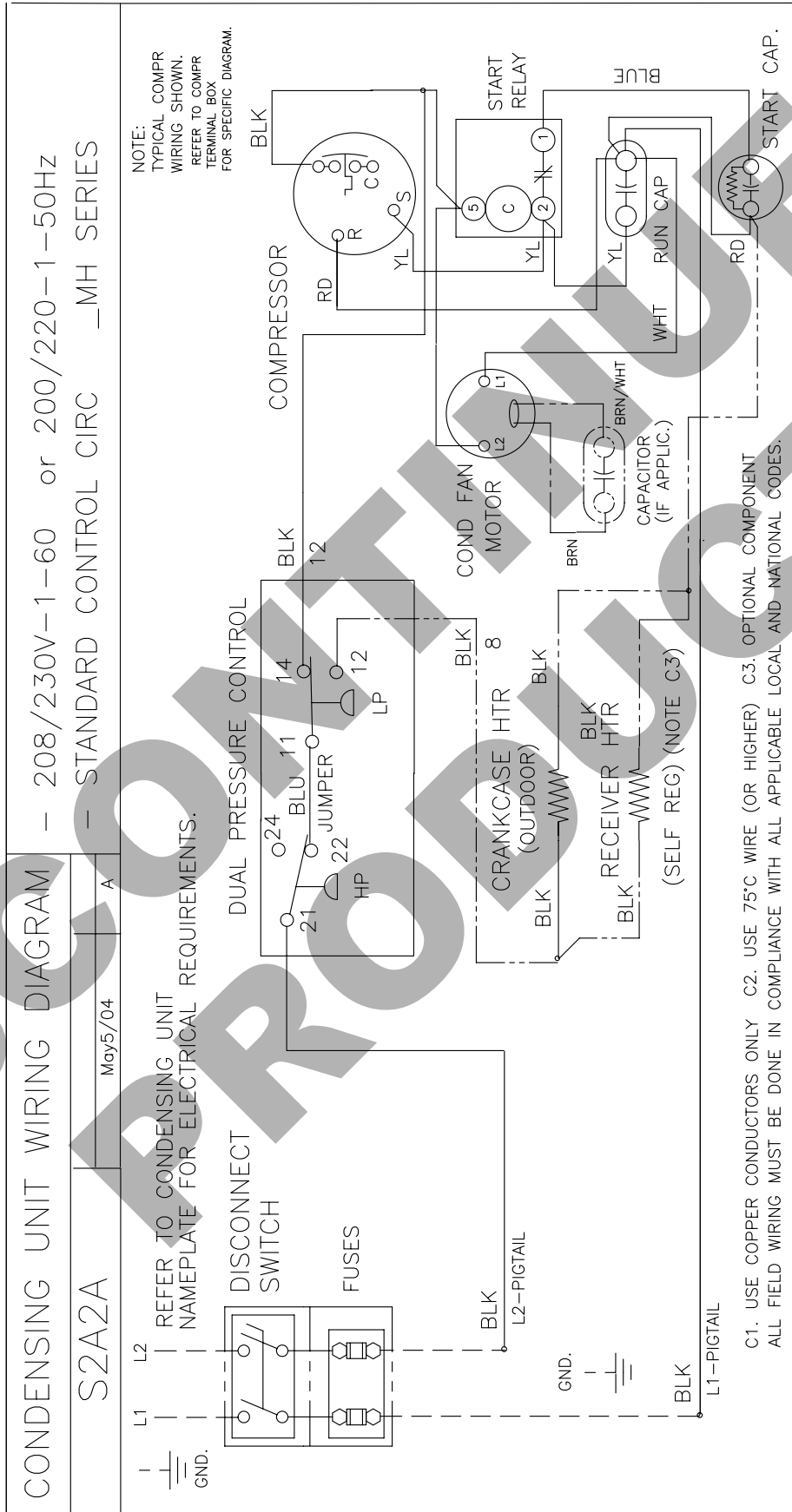
CONDENSING UNIT MODEL	OUTDOOR MODELS						INDOOR MODELS					
	LENGTH		DEPTH		HEIGHT		LENGTH		DEPTH		HEIGHT	
	Inches	mm	Inches	mm	Inches	mm	Inches	mm	Inches	mm	Inches	mm
TMHT015H7	19 7/8	503	27	686	15	383	19 5/8	498	24 1/4	614	15 7/8	403
TMHT020H7	33	838	29 1/4	743	19 5/8	498	32 7/8	835	24 1/4	614	19 3/8	492
TMHT025H7	33	838	29 1/4	743	19 5/8	498	32 7/8	835	24 1/4	614	19 3/8	492
TMHT031H7	33	838	29 1/4	743	19 5/8	498	32 7/8	835	24 1/4	614	19 3/8	492
TMHT035H7	42 3/8	1075	36 1/4	919	29 1/2	749	43 1/8	1095	28 1/4	716	29	737
TMHT040H7	42 3/8	1075	36 1/4	919	29 1/2	749	43 1/8	1095	28 1/4	716	29	737
TMHT045H7	42 3/8	1075	36 1/4	919	29 1/2	749	43 1/8	1095	28 1/4	716	29	737
TMHT050H7	42 3/8	1075	36 1/4	919	29 1/2	749	43 1/8	1095	28 1/4	716	29	737
TMHT006M6	17 7/8	452	27	686	16	408	17 5/8	448	24 1/4	614	13 1/3	338
TMHT008M6	17 7/8	452	27	686	16	408	17 5/8	448	24 1/4	614	13 1/3	338
TMHT010M6	17 7/8	452	27	686	16	408	17 5/8	448	24 1/4	614	13 1/3	338
TMHT015M6	19 7/8	503	27	686	16	408	19 5/8	498	24 1/4	614	15 7/8	403
TMHT020M6	33	838	29 1/4	743	19 5/8	498	32 7/8	835	24 1/4	614	19 3/8	492
TMHT025M6	33	838	29 1/4	743	19 5/8	498	32 7/8	835	24 1/4	614	19 3/8	492
TMHT030M6	33	838	29 1/4	743	19 5/8	498	32 7/8	835	24 1/4	614	19 3/8	492
TMHT036M6	33	838	29 1/4	743	19 5/8	498	32 7/8	835	24 1/4	614	19 3/8	492
TMHT040M6	42 3/8	1075	36 1/4	919	29 1/2	749	43 1/8	1095	28 1/4	716	29	737
TMHT050M6	42 3/8	1075	36 1/4	919	29 1/2	749	43 1/8	1095	28 1/4	716	29	737
TMHT008L6	17 7/8	452	27	686	16	408	17 5/8	448	24 1/4	614	13 1/3	338
TMHT010L6	17 7/8	452	27	686	16	408	17 5/8	448	24 1/4	614	14 1/2	368
TMHT011L6	17 7/8	452	27	686	16	408	17 5/8	448	24 1/4	614	14 1/2	368
TMHT020L6	19 7/8	503	27	686	16	408	19 5/8	498	24 1/4	614	15 7/8	403
TMHT025L6	33	838	29 1/4	743	19 5/8	498	32 7/8	835	24 1/4	614	19 3/8	492
TMHT030L6	33	838	29 1/4	743	19 5/8	498	32 7/8	835	24 1/4	614	19 3/8	492

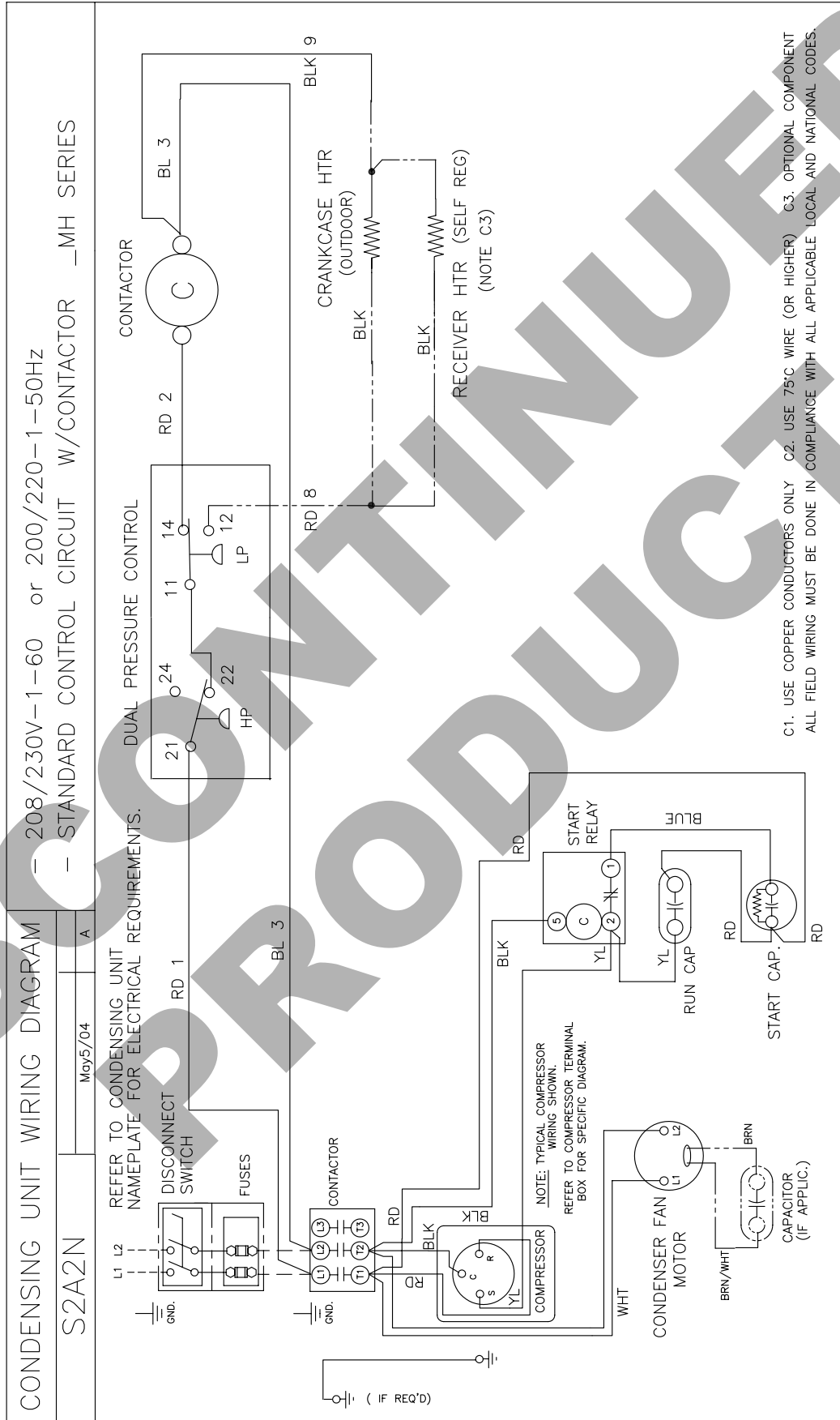
CONDENSING UNIT MODEL	OUTDOOR MODELS						INDOOR MODELS					
	LENGTH		DEPTH		HEIGHT		LENGTH		DEPTH		HEIGHT	
	Inches	mm	Inches	mm	Inches	mm	Inches	mm	Inches	mm	Inches	mm
TMHD016M6	19 7/8	503	27	686	16	408	19 5/8	498	24 1/4	614	15 7/8	403
TMHD021M6	33	838	29 1/4	743	19 5/8	498	32 7/8	835	24 1/4	614	19 3/8	492
TMHD025M6	33	838	29 1/4	743	19 5/8	498	32 7/8	835	24 1/4	614	19 3/8	492
TMHD031M6	33	838	29 1/4	743	19 5/8	498	32 7/8	835	24 1/4	614	19 3/8	492
TMHD036M6	42 3/8	1075	36 1/4	919	29 1/2	749	43 1/8	1095	28 1/4	716	29	737
TMHD040M6	42 3/8	1075	36 1/4	919	29 1/2	749	43 1/8	1095	28 1/4	716	29	737
TMHD050M6	42 3/8	1075	36 1/4	919	29 1/2	749	43 1/8	1095	28 1/4	716	29	737
TMHD015L6	19 7/8	503	27	686	16	408	19 5/8	498	24 1/4	614	15 7/8	403
TMHD025L6	33	838	29 1/4	743	19 5/8	498	32 7/8	835	24 1/4	614	19 3/8	492
TMHD031L6	42 3/8	1075	36 1/4	919	29 1/2	749	43 1/8	1095	28 1/4	716	29	737
TMHD040L6	42 3/8	1075	36 1/4	919	29 1/2	749	43 1/8	1095	28 1/4	716	29	737

CONDENSING UNIT MODEL	UNIT CONNECTIONS				RECEIVER CAPACITY		APPROX. SHIPPING WEIGHT			
	SUCTION (OD)		LIQUID (OD)		90% FULL		OUTDOOR		INDOOR	
	Inches	mm	Inches	mm	Lbs.	Kgs	Lbs.	Kgs	Lbs.	Kgs
TMHA015H7	5/8	16	3/8	10	6	2.7	137	62	122	55
TMHA020H7	5/8	16	3/8	10	12.5	5.7	199	90	179	81
TMHA025H7	7/8	22	3/8	10	16	7.3	210	95	190	86
TMHA031H7	7/8	22	1/2	13	16	7.3	210	95	190	86
TMHA035H7	7/8	22	1/2	13	24	10.9	285	129	260	118
TMHA040H7	1 1/8	29	1/2	13	24	10.9	285	129	260	118
TMHA050H7	1 1/8	29	1/2	13	24	10.9	319	145	294	133
TMHA006E6	5/8	16	3/8	10	2.7	1.2	95	43	83	38
TMHA008E6	5/8	16	3/8	10	2.7	1.2	95	43	83	38
TMHA009E6	5/8	16	3/8	10	5.4	2.4	95	43	83	38
TMHA010E6	5/8	16	3/8	10	5.4	2.4	95	43	83	38
TMHA016E6	5/8	16	3/8	10	5.4	2.4	146	66	131	59
TMHA021E6	7/8	22	3/8	10	11.3	5.1	208	94	188	85
TMHA025E6	7/8	22	1/2	13	14.4	6.5	212	96	192	87
TMHA031E6	7/8	22	1/2	13	14.4	6.5	215	98	195	88
TMHA035E6	7/8	22	1/2	13	14.4	6.5	216	98	201	91
TMHA040E6	1 1/8	29	1/2	13	21.5	9.8	282	128	257	117
TMHA050E6	1 1/8	29	1/2	13	21.5	9.8	287	130	262	119
TMHA006L6	1/2	13	3/8	10	2.7	1.2	86	39	74	34
TMHA008L6	1/2	13	3/8	10	2.7	1.2	88	40	76	34
TMHA010L6	5/8	16	3/8	10	5.4	2.4	120	54	108	49
TMHA020L6	7/8	22	3/8	10	5.4	2.4	123	56	108	49
TMHA025L6	7/8	22	3/8	10	11.3	5.1	224	102	204	93
TMHA031L6	7/8	22	1/2	13	14.4	6.5	285	129	260	118

CONDENSING UNIT MODEL	UNIT CONNECTIONS				RECEIVER CAPACITY 90% FULL		APPROX. SHIPPING WEIGHT			
	SUCTION (OD)		LIQUID (OD)		Lbs.	Kgs	OUTDOOR		INDOOR	
	Inches	mm	Inches	mm			Lbs.	Kgs	Lbs.	Kgs
TMHT015H7	5/8	16	3/8	10	6	2.7	145	66	135	61
TMHT020H7	5/8	16	3/8	10	12.5	5.7	205	93	185	84
TMHT025H7	7/8	22	3/8	10	16	7.3	215	98	195	88
TMHT031H7	7/8	22	1/2	13	16	7.3	215	98	195	88
TMHT035H7	7/8	22	1/2	13	24	10.9	295	134	270	122
TMHT040H7	1 1/8	29	1/2	13	24	10.9	295	134	270	122
TMHT045H7	1 1/8	29	1/2	13	24	10.9	310	141	285	129
TMHT050H7	1 1/8	29	1/2	13	24	10.9	330	150	305	138
TMHT006M6	5/8	16	3/8	10	2.7	1.2	95	43	85	39
TMHT008M6	5/8	16	3/8	10	2.7	1.2	95	43	85	39
TMHT010M6	5/8	16	3/8	10	5.4	2.4	100	45	90	41
TMHT015M6	5/8	16	3/8	10	5.4	2.4	150	68	140	64
TMHT020M6	7/8	22	3/8	10	11.3	5.1	210	95	185	84
TMHT025M6	7/8	22	1/2	13	14.4	6.5	215	98	190	86
TMHT030M6	7/8	22	1/2	13	14.4	6.5	220	100	195	88
TMHT036M6	7/8	22	1/2	13	14.4	6.5	280	127	255	116
TMHT040M6	1 1/8	29	1/2	13	21.5	9.8	285	129	260	118
TMHT050M6	1 1/8	29	1/2	13	21.5	9.8	295	134	270	122
TMHT008L6	1/2	13	3/8	10	2.7	1.2	90	41	80	36
TMHT010L6	5/8	16	3/8	10	5.4	2.4	125	57	115	52
TMHT011L6	5/8	16	3/8	10	5.4	2.4	125	57	115	52
TMHT020L6	7/8	22	3/8	10	5.4	2.4	125	57	115	52
TMHT025L6	7/8	22	3/8	10	11.3	5.1	230	104	205	93
TMHT030L6	7/8	22	1/2	13	14.4	6.5	290	132	265	120

CONDENSING UNIT MODEL	UNIT CONNECTIONS				RECEIVER CAPACITY 90% FULL		APPROX. SHIPPING WEIGHT			
	SUCTION (OD)		LIQUID (OD)		Lbs.	Kgs	OUTDOOR		INDOOR	
	Inches	mm	Inches	mm			Lbs.	Kgs	Lbs.	Kgs
TMHD016M6	5/8	16	3/8	10	5.4	2.4	146	66	131	59
TMHD021M6	7/8	22	3/8	10	11.3	5.1	208	94	188	85
TMHD025M6	7/8	22	1/2	13	14.4	6.5	212	96	192	87
TMHD031M6	7/8	22	1/2	13	14.4	6.5	215	98	195	88
TMHD036M6	7/8	22	1/2	13	21.5	9.8	261	118	241	109
TMHD040M6	1 1/8	29	1/2	13	21.5	9.8	282	128	257	117
TMHD050M6	1 1/8	29	1/2	13	21.5	9.8	287	130	262	119
TMHD015L6	7/8	22	3/8	10	5.4	2.4	119	54	104	47
TMHD025L6	7/8	22	3/8	10	11.3	5.1	224	102	204	93
TMHD031L6	7/8	22	1/2	13	21.5	9.8	285	129	260	118
TMHD040L6	1 1/8	29	1/2	13	21.5	9.8	285	129	260	118









**GENERIC SERVICE PARTS LIST**  
**COPELAND MODELS**

MODEL	CONDENSER	115/1/60		208-230/1/60, 208-230/3/60, 200-220/1/50, 200-220/3/50	
		MOTORS	BLADES	MOTORS	BLADES
TMHA015H7	1079523	N/A	N/A	1078535	1077321
TMHA020H7	1081643	N/A	N/A	1079560	1079563
TMHA025H7	1081644	N/A	N/A	1079560	1079563
TMHA031H7	1081644	N/A	N/A	1079560	1079563
TMHA035H7	1076235	N/A	N/A	1084930	1076754
TMHA040H7	1076235	N/A	N/A	1084930	1076754
TMHA050H7	1076236	N/A	N/A	1084930	1076754
TMHA006E6	1079520	1079847	1078790	1078535	1078790
TMHA008E6	1079520	1079847	1078790	1078535	1078790
TMHA009E6	1079521	1079847	1078790	1078535	1078790
TMHA010E6	1079521	N/A	N/A	1078535	1078790
TMHA016E6	1079523	N/A	N/A	1078535	1077321
TMHA021E6	1081643	N/A	N/A	1079560	1079563
TMHA025E6	1081644	N/A	N/A	1079560	1079563
TMHA031E6	1081644	N/A	N/A	1079560	1079563
TMHA035E6	1081644	N/A	N/A	1079560	1079563
TMHA040E6	1076235	N/A	N/A	1084930	1076754
TMHA050E6	1076235	N/A	N/A	1084930	1076754
TMHA006L6	1079520	1079847	1078790	1078535	1078790
TMHA008L6	1079520	1079847	1078790	1078535	1078790
TMHA010L6	1079520	N/A	N/A	1078535	1078790
TMHA020L6	1079523	N/A	N/A	1078535	1077321
TMHA025L6	1081643	N/A	N/A	1079560	1079563
TMHA031L6	1081644	N/A	N/A	1079560	1079563

**GENERIC SERVICE PARTS LIST**  
**TECUMSEH MODELS**

MODEL	CONDENSER	115/1/60		208-230/1/60, 208-230/3/60, 200-220/1/50, 200-220/3/50	
		MOTORS	BLADES	MOTORS	BLADES
TMHT015H7	1079523	N/A	N/A	1078535	1077321
TMHT020H7	1081643	N/A	N/A	1079560	1079563
TMHT025H7	1081644	N/A	N/A	1079560	1079563
TMHT030H7	1081644	N/A	N/A	1079560	1079563
TMHT035H7	1076235	N/A	N/A	1084930	1076754
TMHT040H7	1076235	N/A	N/A	1084930	1076754
TMHT045H7	1076235	N/A	N/A	1084930	1076754
TMHT050H7	1076236	N/A	N/A	1084930	1076754
TMHT006M6	1079520	N/A	N/A	1078535	1078790
TMHT008M6	1079521	N/A	N/A	1078535	1078790
TMHT010M6	1079521	N/A	N/A	1078535	1078790
TMHT015M6	1079523	N/A	N/A	1078535	1077321
TMHT020M6	1081643	N/A	N/A	1079560	1079563
TMHT025M6	1081644	N/A	N/A	1079560	1079563
TMHT030M6	1081644	N/A	N/A	1079560	1079563
TMHT036M6	1076235	N/A	N/A	1084930	1076754
TMHT040M6	1076235	N/A	N/A	1084930	1076754
TMHT050M6	1076236	N/A	N/A	1084930	1076754
TMHT008L6	1079520	N/A	N/A	1078535	1078790
TMHT010L6	1079520	N/A	N/A	1078535	1078790
TMHT011L6	1079521	N/A	N/A	1078535	1078790
TMHT020L6	1079523	N/A	N/A	1078535	1077321
TMHT025L6	1081643	N/A	N/A	1079560	1079563
TMHT030L6	1081644	N/A	N/A	1079560	1079563

MODEL	CONDENSER	115/1/60		208-230/1/60, 208-230/3/60, 200-220/1/50, 200-220/3/50	
		MOTORS	BLADES	MOTORS	BLADES
TMHD016M6	1079523	N/A	N/A	1078535	1077321
TMHD021M6	1081643	N/A	N/A	1079560	1079563
TMHD025M6	1081644	N/A	N/A	1079560	1079563
TMHD031M6	1081644	N/A	N/A	1079560	1079563
TMHD036M6	1076235	N/A	N/A	1084930	1076754
TMHD040M6	1076235	N/A	N/A	1084930	1076754
TMHD050M6	1076235	N/A	N/A	1084930	1076754
TMHD015L6	1079523	N/A	N/A	1078535	1077321
TMHD025L6	1081643	N/A	N/A	1079560	1079563
TMHD031L6	1076235	N/A	N/A	1084930	1076754
TMHD040L6	1076235	N/A	N/A	1084930	1076754

DISCONTINUED PRODUCT

## FINISHED GOODS WARRANTY

The terms and conditions as described below in the General Warranty Policy cover all products manufactured by National Refrigeration.

### GENERAL WARRANTY POLICY

Subject to the terms and conditions hereof, the Company warrants all Products, including Service Parts, manufactured by the Company to be free of defects in material or workmanship, under normal use and application for a period of one (1) year from the original date of installation, or eighteen (18) months from the date of shipment from the Company, whichever occurs first. Any replacement part(s) so supplied will be warranted for the balance of the product's original warranty. The part(s) to be replaced must be made available in exchange for the replacement part(s) and reasonable proof of the original installation date of the product must be presented in order to establish the effective date of the warranty, failing which, the effective date will be based upon the date of manufacture plus thirty (30) days. Any labour, material, refrigerant, transportation, freight or other charges incurred in connection with the performance of this warranty will be the responsibility of the owner at the current rates and prices then in effect. This warranty may be transferred to a subsequent owner of the product.

### THIS WARRANTY DOES NOT COVER

(a) Damages caused by accident, abuse, negligence, misuse, riot, fire, flood, or Acts of God (b) damages caused by operating the product in a corrosive atmosphere (c) damages caused by any unauthorized alteration or repair of the system affecting the product's reliability or performance (d) damages caused by improper matching or application of the product or the product's components (e) damages caused by failing to provide routine and proper maintenance or service to the product (f) expenses incurred for the erecting, disconnecting, or dismantling the product (g) parts used in connection with normal maintenance, such as filters or belts (h) products no longer at the site of the original installation (i) products installed or operated other than in accordance with the printed instructions, with the local installation or building codes and with good trade practices (j) products lost or stolen.

**No one is authorized to change this WARRANTY** or to create for or on behalf of the Company any other obligation or liability in connection with the Product(s). There is no other representation, warranty or condition in any respect, expressed or implied, made by or binding upon the Company other than the above or as provided by provincial or state law and which cannot be limited or excluded by such law, nor will we be liable in any way for incidental, consequential, or special damages however caused.

The provisions of this additional written warranty are in addition to and not a modification of or subtraction from the statutory warranties and other rights and remedies provided by Federal, Provincial or State laws.

## PROJECT INFORMATION

System	
Model Number	Date of Start-Up
Serial Number	Service Contractor
Refrigerant	Phone
Electrical Supply	Fax

# “AS BUILT” SERVICE PARTS LIST

Service Parts List  
Label  
To Be Attached  
HERE

System	
Model Number	Date of Start-Up
Serial Number	Service Contractor
Refrigerant	Phone
Electrical Supply	Fax



**NATIONAL REFRIGERATION &  
AIR CONDITIONING CANADA CORP.**  
159 Roy Blvd.  
Brantford Ontario Canada N3R 7K1  
PHONE: (519) 751-0444 800-463-9517  
FAX (519) 753-1140 [www.t-rp.com](http://www.t-rp.com)

