



PRODUCT DATA & SPECIFICATIONS

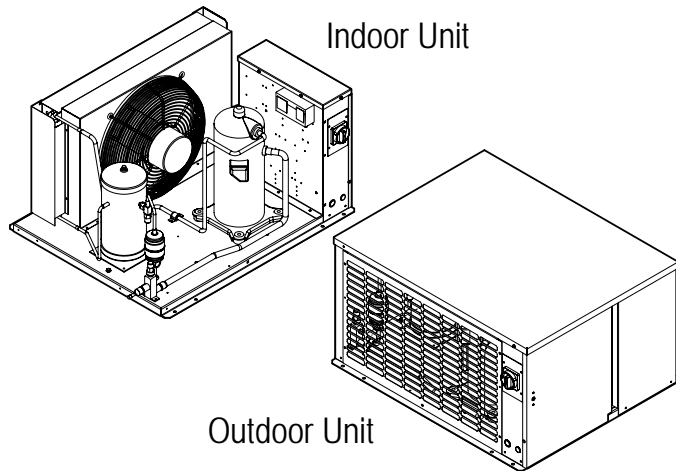
Bulletin T40-TEZ-PDS-10
Part # 1087394

TEZ-Line Condensing Units

**60
Hz**

Indoor/Outdoor
Air-Cooled Scroll
Condensing Units
1 to 15 HP -
High, Medium and Low
Temperature Refrigeration

	PRODUCT SUPPORT	scan:
	web: t-rp.com/tez	
	email: smcu@t-rp.com	
	call: 1-844-893-3222 x521	



SMARTSPEED™
FAN MOTOR TECHNOLOGY
See Page 4 for details

INCLUDES RATINGS FOR
**LOW GWP
REFRIGERANTS**

LIMITROL+
FLOATING HEAD PRESSURE CONTROL SYSTEM
See Page 5 for details

CONTENTS

	Page
Nomenclature.....	2
Features and Options.....	2 - 3
SMARTSPEED™ Fan Motor Technology	4
LIMITROL+ Floating Head Pressure Control System.....	5
Capacity Data (Imperial and <i>Metric</i>).....	6 - 24
Electrical Data.....	25 - 28
Dimensional Data.....	29 - 33
Annual Walk-In Energy Factor (AWEF) Ratings.....	33
Specifications.....	34
Wiring Diagrams.....	35 - 39
Wiring Diagrams - Models with SMARTSPEED™	40
Project Information.....	43
Product Support Resources.....	BACK

NOMENCLATURE

T E Z A 020 H 8 - H T4 B - A

Model Name

T = Trenton

Model Series

EZ = Excel Scroll Air Cooled
Condensing Unit Line

Compressor Manufacturer

A = Copeland

Nominal HP

010 - 150 = 1 - 15 HP

Application Range

H = High and Med Temp
M = Med Temp
E = Extended Medium Temperature
L = Low Temp

Refrigerant*

2 = R22 6 = R404A, R507
8 = R407A, R407C, R448A, R22, R404A, R507

Enclosure

H = Outdoor
I = Indoor

Voltage*

S2 = 208/230-1-60	S3 = 230-1-60
S6 = 200/220-1-50	S7 = 200-1-50
T3 = 208/230-3-60	T4 = 460-3-60
T5 = 575-3-60	T7 = 200/220-3-50
T9 = 380/400-3-50	

* subject to compressor availability

Pre-Selected Factory Mounted Option Packages

- A = Standard Features (see below)
- B = Standard Features (see below)
Plus Sealed Liquid Line Filter Drier and Sight Glass
- C = Standard Features (see below)
*Plus Sealed Liquid Line Filter Drier and Sight Glass
Plus Suction Accumulator
Plus Electric Defrost Kit*
- D = Standard Features (see below)
*Plus Sealed Liquid Line Filter Drier and Sight Glass
Plus Heated and Insulated Receiver*
- E = Standard Features (see below)
*Plus Sealed Liquid Line Filter Drier and Sight Glass
Plus Heated and Insulated Receiver
Plus Suction Accumulator
Plus Electric Defrost Kit*
- F = Standard Features (see below)
*Plus Sealed liquid line filter drier and sight glass
Plus Electric Defrost Kit*
- G = Standard Features (see below)
*Plus Sealed liquid line filter drier and sight glass
Plus Electric Defrost Kit
Plus Heated and insulated receiver*
- H = Standard Features (see below)
*Plus Sealed Liquid Line Filter Drier and Sight Glass
Plus Timeclock*
- J = Standard Features (see below)
*Plus Sealed Liquid Line Filter Drier and Sight Glass
Plus Heated and insulated receiver
Plus Suction Accumulator*

Series

B = Latest Catalog spec (2nd generation)

STANDARD FEATURES

Indoor Unit:

- Compatible with Low GWP Refrigerants
- Weatherproof electrical control box with compressor contactor and fused control circuit
- Copeland scroll compressor
- High efficiency enhanced tube and fin condenser design
- Energy efficient PSC condenser fan motor
- Receiver with fusible plug and liquid shut off valve
- Suction service valve
- Pre-formed copper tubing
- Liquid injection (low temp. models)
- Unit leak tested and shipped with helium holding charge
- Fixed high pressure switch and adjustable low pressure control
- Receiver outlet valve on 2-fan units models only
- Discharge thermostat on applicable models only
- Galvanized cabinet
- QuickVac Evacuation and Refrigerant Recovery Valves

Outdoor Unit: All Standard Features of Indoor Unit, Plus:

- Outdoor weather-resistant housing with removable hood
- Flooded head pressure control (non adjustable)
- Crankcase heater
- Fan cycling control with flex hose (2 fan units)

Package A:

- Standard Features (see pg. 2)

Package B:

- Standard Features (see pg. 2)
- *Plus* Sealed Liquid Line Filter Drier & Sight Glass

Package C:

- Standard Features (see pg. 2)
- *Plus* Sealed Liquid Line Filter Drier & Sight Glass
- *Plus* Suction Accumulator
- *Plus* Electric Defrost Kit

Package D:

- Standard Features (see pg. 2)
- *Plus* Sealed Liquid Line Filter Drier & Sight Glass
- *Plus* Heated and Insulated Receiver

Package E:

- Standard Features (see pg. 2)
- *Plus* Sealed Liquid Line Filter Drier & Sight Glass
- *Plus* Heated and Insulated Receiver
- *Plus* Suction Accumulator
- *Plus* Electric Defrost Kit

Package F:

- Standard Features (see pg. 2)
- *Plus* Sealed liquid line filter drier and sight glass
- *Plus* Electric Defrost Kit

Package G:

- Standard Features (see pg. 2)
- *Plus* Sealed liquid line filter drier and sight glass
- *Plus* Electric Defrost Kit
- *Plus* Heated and insulated receiver

Package H:

- Standard Features (see pg. 2)
- *Plus* Sealed Liquid Line Filter Drier and Sight Glass
- *Plus* Timeclock

Package J:

- Standard Features (see pg. 2)
- *Plus* Sealed Liquid Line Filter Drier and Sight Glass
- *Plus* Heated and insulated receiver
- *Plus* Suction Accumulator

AVAILABLE OPTIONS

- Suction accumulator with and without boil-out coil
- Discharge line check valve
- Oil separator with and without oil return filter and solenoid valve
- Adjustable flooded head pressure control valves
- Receiver inlet ball valve
- Heated and Insulated receiver
- Over-sized receiver
- Sealed liquid line filter drier & sight-glass
- Ball valve - liquid line (shipped loose)
- Insulated suction lines
- Leg kits
- Discharge air hood
- Sub cooling circuit on 5 - 15 HP models
- Liquid line solenoid valve (with standard 230 volt coil) - shipped loose
- Variable speed EC motors only as head pressure control (see Bulletin T40-HPC-AG for details)
- Painted cabinet
- Adjustable low pressure control with flex hose
- Compressor circuit breaker
- Current sensing relay - for use with oil safety control (where applicable)
- Defrost heater contactor c/w fuse block
- Evaporator fan contactor c/w fuse block
- Disconnect switch
- Disconnect fusing
- Pump down toggle switch
- Lock out control circuit relay
- Hoffmann speed control for condenser fan (replaces flooded valve)
- Time delay relay for compressor
- Mechanical time clock
- Electronic defrost kit
- Electronic voltage / Phase monitor
- **SmartSpeed Fan Motor Technology (see page 4)**
- **Limitrol+ Floating Head Pressure Control System (see page 5 or Bulletin T40-HPC-AG for details)**

US Patent No.
9,297,567

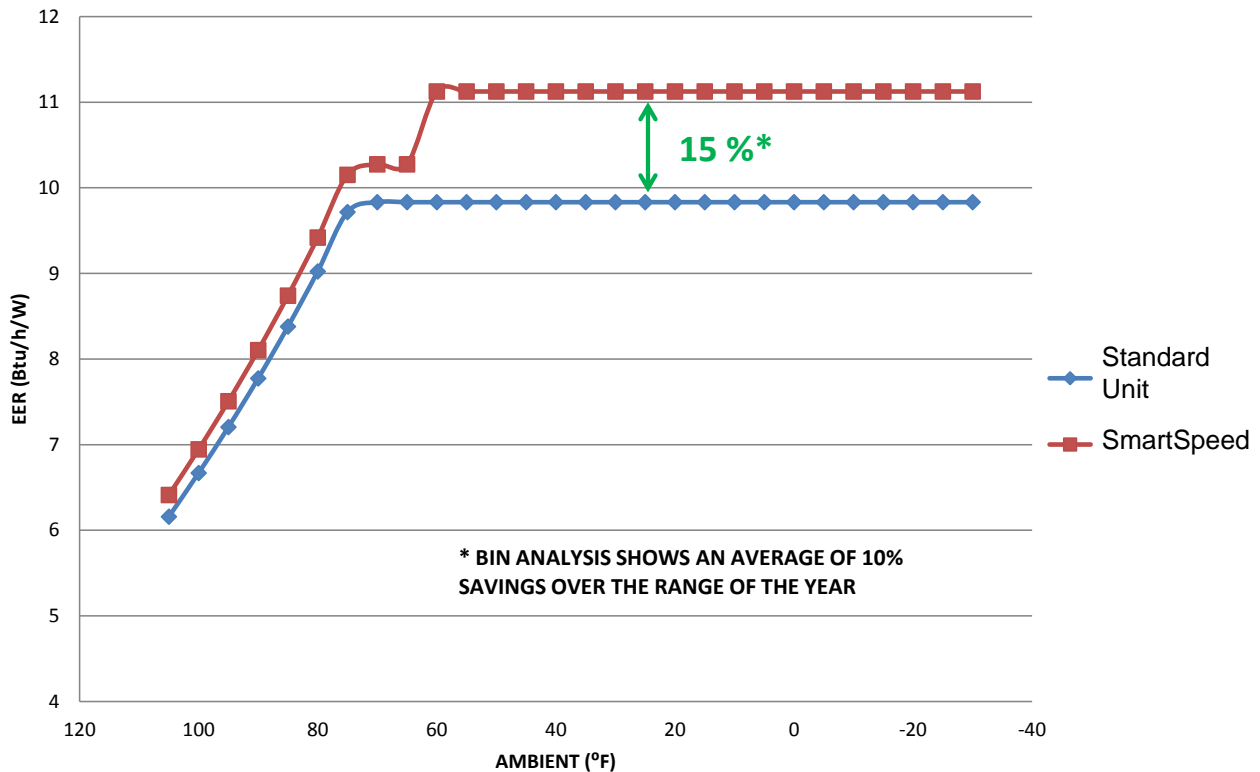


DESIGN FEATURES

• Available on 1/2 - 5 HP
Hermetic, Scroll or Semi-Hermetic Condensing Units

- No special controls required. No worries about wind or cold climates.
- Ambients above 60°F - EC motor operates at full speed, crankcase heater and heated + insulated receiver disabled from control circuit
- Ambients below 60°F - EC motor operates at low speed, crankcase heater and heated + insulated receiver enabled from control circuit

Condensing Unit EER - Standard Unit vs. SmartSpeed



**Refer to
Page 40
For Wiring
Details**

Condensing Unit with SmartSpeed Power Consumption Per Motor		
Chassis Size (see pages 25-28)	Ambients above 60°F. Fan Full Speed. Crackcase and Receiver Heaters Off.	Ambients below 60°F. Fan Low Speed. Crackcase and Receiver Heaters On.
A	102 W	19 W
B	168 W	37 W
C	362 W	76 W

- **Reduces compressor energy consumption and run time**
 - **EC motor technology further saves energy and reduces electrical requirements**
- **Lowered environmental impact through reduced refrigerant use**
 - **Stable system performance in lower ambients**

What is Limitrol+? Limitrol+ combines various technologies into a responsive system that floats head pressure, saving energy and reduces environmental impact. Unlike competitive systems, Limitrol+ combines variable speed EC motor technology, condenser portioning and various systems modifications to provide the ultimate in performance and control. As a result, Limitrol+ functions in much colder ambients where previous systems have proven ineffective.

What does it do? Conventional head pressure control systems maintain a constant head pressure regardless of ambient temperatures. Limitrol+ intelligently responds to ambient conditions to float head pressure without sacrificing system performance at lower temperatures.

What are its applications?

- Condensing units over 5 HP
- Ideally suited and most effective in applications with fluctuating ambients
- Perfect for installations where reduced refrigerant charges are desired or required.

How much can Limitrol+ save you?

MODEL	Philadelphia, PA		New York, NY		Boston, MA		Charlotte, NC		Atlanta, GA		Los Angeles, CA		St Louis, MO		St. Paul, MN		Toronto, ON	
	%	\$	%	\$	%	\$	%	\$	%	\$	%	\$	%	\$	%	\$	%	\$
5 HP Cooler	22	616	23	1,099	25	1,081	18	474	16	521	16	835	20	624	25	798	27	638
7.5 HP Cooler	21	1,008	22	1,805	23	1,707	18	843	17	954	17	1,499	19	1,053	24	1,270	25	1,000
10 HP Cooler	18	1,204	18	2,131	20	2,095	15	975	14	1,089	18	2,446	16	1,227	20	1,529	21	1,223
15 HP Cooler	19	1,852	20	3,300	21	3,170	16	1,567	15	1,767	19	3,570	17	1,916	22	2,337	22	1,834
6 HP Freezer	24	903	25	1,621	26	1,548	21	753	20	848	23	1,548	22	928	26	1,119	27	891
7.5 HP Freezer	21	994	21	1,783	23	1,726	17	800	16	891	18	1,591	19	1,012	23	1,255	24	1,004
13 HP Freezer	19	1,425	19	2,535	21	2,450	16	1,150	15	1,286	15	2,110	17	1,471	21	1,798	22	1,428
15 HP Freezer	18	1,602	19	2,846	20	2,717	16	1,312	15	1,479	14	2,224	17	1,672	20	2,009	21	1,587

* The above is a BIN Hour Analysis. Weather data was used from ASHRAE Weather Data Viewer and electrical rates for each city are based on June 2013 data from EIA (U.S. Energy Information Administration).

** Above numbers do not include refrigerant savings, and further cost savings can be expected.

For more information on Head Pressure Control, please refer to our “Head Pressure Control Application Guide” (Bulletin T40-HPC-AG)

**CAPACITY DATA - R407A
HIGH / MEDIUM TEMPERATURE**

MODEL	SAT. SUCT. TEMP.		CAPACITY BTU/H (WATTS) R407A AMBIENT TEMPERATURE °F (°C)							
	° F	° C	80 (26.6)	85 (29.4)	90 (32.2)	95 (35)	100 (37.8)	105 (40.6)	110 (43.3)	
TEZA010H8 Compressor Model ZS09KAE	40 (4.4)		17300 (5070)	16800 (4920)	16300 (4780)	15600 (4570)	15100 (4430)	14500 (4250)	14000 (4100)	
	35 (1.7)		15800 (4630)	15300 (4480)	14800 (4340)	14300 (4190)	13800 (4040)	13200 (3870)	12700 (3720)	
	30 (-1.1)		14400 (4220)	14000 (4100)	13400 (3930)	13000 (3810)	12500 (3660)	12100 (3550)	11600 (3400)	
	25 (-3.9)		13000 (3810)	12600 (3690)	12200 (3580)	11800 (3460)	11300 (3310)	10900 (3190)	10500 (3080)	
	20 (-6.7)		11900 (3490)	11400 (3340)	11100 (3250)	10700 (3140)	10300 (3020)	9930 (2910)	9530 (2790)	
	15 (-9.4)		10700 (3140)	10400 (3050)	10100 (2960)	9720 (2850)	9380 (2750)	9020 (2640)	8650 (2540)	
	10 (-12.2)		9730 (2850)	9440 (2770)	9120 (2670)	8810 (2580)	8490 (2490)	8170 (2390)	7850 (2300)	
	5 (-15.0)		8790 (2580)	8530 (2500)	8240 (2410)	7970 (2340)	7680 (2250)	7390 (2170)	7100 (2080)	
0 (-17.8)		7920 (2320)	7690 (2250)	7430 (2180)	7180 (2100)	6920 (2030)	6660 (1950)	6390 (1870)		
TEZA011H8 Compressor Model ZS11KAE	40 (4.4)		20300 (5950)	19600 (5740)	18900 (5540)	18300 (5360)	17600 (5160)	16900 (4950)	16200 (4750)	
	35 (1.7)		18500 (5420)	17900 (5250)	17300 (5070)	16700 (4890)	16100 (4720)	15400 (4510)	14800 (4340)	
	30 (-1.1)		16800 (4920)	16300 (4780)	15800 (4630)	15200 (4450)	14600 (4280)	14100 (4130)	13400 (3930)	
	25 (-3.9)		15300 (4480)	14800 (4340)	14400 (4220)	13900 (4070)	13300 (3900)	12800 (3750)	12300 (3600)	
	20 (-6.7)		14000 (4100)	13500 (3960)	13000 (3810)	12600 (3690)	12100 (3550)	11700 (3430)	11100 (3250)	
	15 (-9.4)		12700 (3720)	12300 (3600)	11900 (3490)	11400 (3340)	11000 (3220)	10600 (3110)	10100 (2960)	
	10 (-12.2)		11400 (3340)	11100 (3250)	10700 (3140)	10400 (3050)	9980 (2920)	9600 (2810)	9210 (2700)	
	5 (-15.0)		10400 (3050)	10000 (2930)	9710 (2850)	9380 (2750)	9030 (2650)	8680 (2540)	8350 (2450)	
0 (-17.8)		9350 (2740)	9060 (2660)	8770 (2570)	8450 (2480)	8150 (2390)	7840 (2300)	7530 (2210)		
TEZA015H8 Compressor Model ZS13KAE	40 (4.4)		22700 (6650)	21900 (6420)	21200 (6210)	20400 (5980)	19600 (5740)	18900 (5540)	18100 (5300)	
	35 (1.7)		20700 (6070)	20100 (5890)	19300 (5660)	18700 (5480)	18000 (5280)	17200 (5040)	16500 (4840)	
	30 (-1.1)		18900 (5540)	18300 (5360)	17600 (5160)	17000 (4980)	16400 (4810)	15800 (4630)	15000 (4400)	
	25 (-3.9)		17200 (5040)	16700 (4890)	16100 (4720)	15500 (4540)	14900 (4370)	14400 (4220)	13800 (4040)	
	20 (-6.7)		15600 (4570)	15200 (4450)	14700 (4310)	14200 (4160)	13500 (3960)	13000 (3810)	12500 (3660)	
	15 (-9.4)		14300 (4190)	13800 (4040)	13300 (3900)	12800 (3750)	12400 (3630)	11900 (3490)	11300 (3310)	
	10 (-12.2)		12900 (3780)	12500 (3660)	12100 (3550)	11700 (3430)	11200 (3280)	10800 (3170)	10300 (3020)	
	5 (-15.0)		11800 (3460)	11300 (3310)	10900 (3190)	10600 (3110)	10200 (2990)	9770 (2860)	9390 (2750)	
0 (-17.8)		10600 (3110)	10200 (2990)	9880 (2900)	9530 (2790)	9190 (2690)	8820 (2580)	8470 (2480)		
TEZA020H8 Compressor Model ZB15KCE	40 (4.4)		25900 (7590)	25000 (7330)	24000 (7030)	23100 (6770)	22200 (6510)	21200 (6210)	-	
	35 (1.7)		23600 (6920)	22800 (6680)	21900 (6420)	21100 (6180)	20200 (5920)	19300 (5660)	18400 (5390)	
	30 (-1.1)		21500 (6300)	20800 (6100)	20000 (5860)	19100 (5600)	18400 (5390)	17500 (5130)	16700 (4890)	
	25 (-3.9)		19600 (5740)	18900 (5540)	18200 (5330)	17400 (5100)	16700 (4890)	15900 (4660)	15100 (4430)	
	20 (-6.7)		17700 (5190)	17100 (5010)	16500 (4840)	15800 (4630)	15100 (4430)	14400 (4220)	13700 (4020)	
	15 (-9.4)		16100 (4720)	15500 (4540)	14900 (4370)	14300 (4190)	13700 (4020)	12900 (3780)	12300 (3600)	
	10 (-12.2)		14500 (4250)	14000 (4100)	13400 (3930)	12800 (3750)	12300 (3600)	11700 (3430)	11000 (3220)	
	5 (-15.0)		13000 (3810)	12500 (3660)	12000 (3520)	11400 (3340)	10900 (3190)	10400 (3050)	9850 (2890)	
0 (-17.8)		11700 (3430)	11100 (3250)	10700 (3140)	10200 (2990)	9690 (2840)	9200 (2700)	8680 (2540)		
TEZA025H8 Compressor Model ZB19KCE	40 (4.4)		31200 (9140)	30100 (8820)	29000 (8500)	27900 (8180)	26800 (7850)	25600 (7500)	24500 (7180)	
	35 (1.7)		28600 (8380)	27600 (8090)	26600 (7800)	25500 (7470)	24500 (7180)	23400 (6860)	22300 (6540)	
	30 (-1.1)		26000 (7620)	25100 (7360)	24300 (7120)	23200 (6800)	22300 (6540)	21300 (6240)	20300 (5950)	
	25 (-3.9)		23600 (6920)	22800 (6680)	21900 (6420)	21100 (6180)	20200 (5920)	19300 (5660)	18400 (5390)	
	20 (-6.7)		21400 (6270)	20700 (6070)	19800 (5800)	19100 (5600)	18300 (5360)	17400 (5100)	16600 (4860)	
	15 (-9.4)		19300 (5660)	18600 (5450)	17900 (5250)	17100 (5010)	16400 (4810)	15600 (4570)	14800 (4340)	
	10 (-12.2)		17300 (5070)	16700 (4890)	16000 (4690)	15300 (4480)	14700 (4310)	14000 (4100)	13200 (3870)	
	5 (-15.0)		15400 (4510)	14800 (4340)	14300 (4190)	13700 (4020)	13000 (3810)	12400 (3630)	11800 (3460)	
0 (-17.8)		13700 (4020)	13100 (3840)	12600 (3690)	12100 (3550)	11600 (3400)	10900 (3190)	10300 (3020)		

NOTES:

- Above ratings are based on mean temperature.
- To convert to dew point ratings, use 0.95 multiplier.

table continues on next page >>>

CAPACITY DATA - R407A
HIGH / MEDIUM TEMPERATURE (cont'd)

MODEL TEZA	SAT. SUCT. TEMP.		CAPACITY BTU/H (WATTS) R407A AMBIENT TEMPERATURE °F (°C)							
	° F	° C	80 (26.6)	85 (29.4)	90 (32.2)	95 (35)	100 (37.8)	105 (40.6)	110 (43.3)	
TEZA030H8 Compressor Model ZB21KCE	40 (4.4)		40800 (11960)	39600 (11610)	38200 (11200)	36800 (10780)	35400 (10370)	33900 (9940)	32300 (9470)	
	35 (1.7)		37300 (10930)	36100 (10580)	34900 (10230)	33500 (9820)	32200 (9440)	30900 (9060)	29500 (8650)	
	30 (-1.1)		33900 (9940)	32900 (9640)	31700 (9290)	30500 (8940)	29300 (8590)	28000 (8210)	26800 (7850)	
	25 (-3.9)		30800 (9030)	29700 (8700)	28700 (8410)	27600 (8090)	26500 (7770)	25300 (7410)	24200 (7090)	
	20 (-6.7)		27800 (8150)	26900 (7880)	25800 (7560)	24900 (7300)	23800 (6980)	22800 (6680)	21700 (6360)	
	15 (-9.4)		25000 (7330)	24200 (7090)	23200 (6800)	22400 (6560)	21400 (6270)	20500 (6010)	19400 (5690)	
	10 (-12.2)		22400 (6560)	21600 (6330)	20800 (6100)	20000 (5860)	19100 (5600)	18200 (5330)	17300 (5070)	
	5 (-15.0)		20000 (5860)	19200 (5630)	18500 (5420)	17700 (5190)	16900 (4950)	16200 (4750)	15300 (4480)	
0 (-17.8)		17600 (5160)	17000 (4980)	16400 (4810)	15600 (4570)	14900 (4370)	14200 (4160)	13400 (3930)		
TEZA035H8 Compressor Model ZB26KCE	40 (4.4)		45200 (13250)	43600 (12780)	42000 (12310)	40400 (11840)	38900 (11400)	37300 (10930)	35600 (10430)	
	35 (1.7)		41200 (12070)	39700 (11630)	38200 (11200)	36800 (10780)	35300 (10350)	33800 (9910)	32300 (9470)	
	30 (-1.1)		37400 (10960)	36100 (10580)	34800 (10200)	33400 (9790)	32000 (9380)	30700 (9000)	29300 (8590)	
	25 (-3.9)		33900 (9940)	32800 (9610)	31500 (9230)	30300 (8880)	29100 (8530)	27800 (8150)	26500 (7770)	
	20 (-6.7)		30800 (9030)	29600 (8670)	28600 (8380)	27400 (8030)	26300 (7710)	25100 (7360)	23900 (7000)	
	15 (-9.4)		27800 (8150)	26800 (7850)	25700 (7530)	24800 (7270)	23600 (6920)	22600 (6620)	21500 (6300)	
	10 (-12.2)		25000 (7330)	24200 (7090)	23200 (6800)	22300 (6540)	21200 (6210)	20300 (5950)	19300 (5660)	
	5 (-15.0)		22500 (6590)	21600 (6330)	20800 (6100)	19800 (5800)	19000 (5570)	18100 (5300)	17200 (5040)	
0 (-17.8)		20000 (5860)	19200 (5630)	18400 (5390)	17600 (5160)	16800 (4920)	16000 (4690)	15100 (4430)		
TEZA040H8 Compressor Model ZB30KCE	40 (4.4)		54100 (15860)	52300 (15330)	50400 (14770)	48400 (14180)	46400 (13600)	44300 (12980)	-	
	35 (1.7)		49700 (14570)	48000 (14070)	46200 (13540)	44400 (13010)	42500 (12460)	40600 (11900)	38600 (11310)	
	30 (-1.1)		45400 (13310)	43900 (12870)	42200 (12370)	40500 (11870)	38900 (11400)	37100 (10870)	35300 (10350)	
	25 (-3.9)		41300 (12100)	39900 (11690)	38400 (11250)	36900 (10810)	35300 (10350)	33700 (9880)	32000 (9380)	
	20 (-6.7)		37400 (10960)	36100 (10580)	34800 (10200)	33400 (9790)	31900 (9350)	30500 (8940)	29000 (8500)	
	15 (-9.4)		33700 (9880)	32600 (9550)	31300 (9170)	30000 (8790)	28700 (8410)	27400 (8030)	26000 (7620)	
	10 (-12.2)		30200 (8850)	29200 (8560)	28000 (8210)	26900 (7880)	25700 (7530)	24500 (7180)	23300 (6830)	
	5 (-15.0)		27100 (7940)	26000 (7620)	25000 (7330)	23900 (7000)	22900 (6710)	21800 (6390)	20800 (6100)	
0 (-17.8)		24000 (7030)	23100 (6770)	22200 (6510)	21200 (6210)	20300 (5950)	19300 (5660)	18500 (5420)		
TEZA050H8 Compressor Model ZB38KCE	45 (7.2)		66900 (19610)	64600 (18930)	62300 (18260)	59900 (17550)	57400 (16820)	54800 (16060)	52200 (15300)	
	35 (1.7)		61300 (17970)	59300 (17380)	57100 (16730)	54900 (16090)	52600 (15420)	50300 (14740)	47900 (14040)	
	30 (-1.1)		56100 (16440)	54200 (15880)	52200 (15300)	50100 (14680)	48000 (14070)	45900 (13450)	43700 (12810)	
	25 (-3.9)		51000 (14950)	49200 (14420)	47500 (13920)	45600 (13360)	43600 (12780)	41600 (12190)	39600 (11610)	
	20 (-6.7)		46200 (13540)	44500 (13040)	42900 (12570)	41200 (12070)	39400 (11550)	37600 (11020)	35800 (10490)	
	15 (-9.4)		41600 (12190)	40100 (11750)	38600 (11310)	37100 (10870)	35500 (10400)	33800 (9910)	32100 (9410)	
	10 (-12.2)		37300 (10930)	36000 (10550)	34500 (10110)	33200 (9730)	31700 (9290)	30200 (8850)	28800 (8440)	
	5 (-15.0)		33300 (9760)	32000 (9380)	30800 (9030)	29500 (8650)	28200 (8260)	26900 (7880)	25600 (7500)	
0 (-17.8)		29600 (8670)	28500 (8350)	27300 (8000)	26100 (7650)	25000 (7330)	23800 (6980)	22800 (6680)		
TEZA060H8 Compressor Model ZB45KCE	40 (4.4)		79000 (23150)	76300 (22360)	73700 (21600)	71000 (20810)	68100 (19960)	65200 (19110)	62200 (18230)	
	35 (1.7)		72200 (21160)	69900 (20490)	67400 (19750)	64900 (19020)	62300 (18260)	59600 (17470)	56800 (16650)	
	30 (-1.1)		65900 (19310)	63700 (18670)	61400 (17990)	59100 (17320)	56700 (16620)	54300 (15910)	51800 (15180)	
	25 (-3.9)		59900 (17550)	57900 (16970)	55800 (16350)	53700 (15740)	51500 (15090)	49100 (14390)	46800 (13720)	
	20 (-6.7)		54100 (15860)	52200 (15300)	50300 (14740)	48400 (14180)	46300 (13570)	44300 (12980)	42200 (12370)	
	15 (-9.4)		48600 (14240)	46900 (13740)	45300 (13280)	43400 (12720)	41600 (12190)	39700 (11630)	37800 (11080)	
	10 (-12.2)		43600 (12780)	42000 (12310)	40400 (11840)	38700 (11340)	37100 (10870)	35400 (10370)	33700 (9880)	
	5 (-15.0)		38900 (11400)	37400 (10960)	35900 (10520)	34400 (10080)	33000 (9670)	31500 (9230)	29900 (8760)	
0 (-17.8)		34400 (10080)	33200 (9730)	31800 (9320)	30500 (8940)	29100 (8530)	27800 (8150)	26500 (7770)		

NOTES:

- Above ratings are based on mean temperature.
- To convert to dew point ratings, use 0.95 multiplier.

table continues on next page >>>

CAPACITY DATA - **R407A** HIGH / MEDIUM TEMPERATURE (cont'd)

MODEL	SAT. SUCT. TEMP.		CAPACITY BTU/H (WATTS) R407A AMBIENT TEMPERATURE °F (°C)							
	° F	° C	80 (26.6)	85 (29.4)	90 (32.2)	95 (35)	100 (37.8)	105 (40.6)	110 (43.3)	
TEZA061H8 Compressor Model ZB48KCE	40 (4.4)	87600 (25670)	84600 (24790)	81600 (23910)	78400 (22980)	75300 (22070)	71900 (21070)	68600 (20100)	65200 (19160)	
	35 (1.7)	80300 (23530)	77600 (22740)	74900 (21950)	71900 (21070)	69000 (20220)	65800 (19280)	62800 (18400)	59200 (17460)	
	30 (-1.1)	73400 (21510)	70900 (20780)	68300 (20020)	65600 (19230)	62900 (18430)	60100 (17610)	57200 (16760)	54000 (15840)	
	25 (-3.9)	66700 (19550)	64400 (18870)	62100 (18200)	59500 (17440)	57000 (16700)	54500 (15970)	51900 (15210)	49500 (14510)	
	20 (-6.7)	60300 (17670)	58200 (17060)	56100 (16440)	53800 (15770)	51600 (15120)	49100 (14390)	46800 (13720)	44600 (13060)	
	15 (-9.4)	54300 (15910)	52400 (15360)	50400 (14770)	48300 (14160)	46300 (13570)	44100 (12920)	42000 (12310)	40000 (11720)	
	10 (-12.2)	48600 (14240)	46900 (13740)	45000 (13190)	43300 (12690)	41400 (12130)	39400 (11550)	37500 (10990)	35700 (10450)	
	5 (-15.0)	43400 (12720)	41800 (12250)	40100 (11750)	38400 (11250)	36800 (10780)	35100 (10290)	33400 (9790)	31800 (9310)	
	0 (-17.8)	38500 (11280)	37100 (10870)	35600 (10430)	34000 (9960)	32600 (9550)	31000 (9090)	29500 (8650)	28000 (8220)	
TEZA070H8 Compressor Model ZB58K5E	40 (4.4)	95300 (27930)	92000 (26960)	88500 (25940)	84900 (24880)	81300 (23830)	77500 (22710)	73700 (21610)	70000 (20520)	
	35 (1.7)	87200 (25560)	84200 (24680)	81200 (23800)	78000 (22860)	74800 (21920)	71300 (20900)	67800 (20000)	64400 (19100)	
	30 (-1.1)	79600 (23330)	77000 (22570)	74200 (21750)	71500 (20950)	68500 (20080)	65400 (19170)	62200 (18230)	59100 (17310)	
	25 (-3.9)	72600 (21280)	70200 (20570)	67800 (19870)	65300 (19140)	62600 (18350)	59700 (17500)	56800 (16650)	54000 (15810)	
	20 (-6.7)	65900 (19310)	63900 (18730)	61700 (18080)	59400 (17410)	56900 (16680)	54300 (15910)	51500 (15090)	48800 (14300)	
	15 (-9.4)	59900 (17550)	58000 (17000)	56000 (16410)	53800 (15770)	51500 (15090)	48800 (14300)	46100 (13510)	43500 (12720)	
	10 (-12.2)	54100 (15860)	52300 (15330)	50400 (14770)	48200 (14130)	45900 (13450)	43400 (12720)	40600 (11900)	38000 (11110)	
	5 (-15.0)	48500 (14210)	46800 (13720)	44800 (13130)	42700 (12510)	40400 (11840)	37800 (11080)	35100 (10290)	32500 (9550)	
	0 (-17.8)	43200 (12660)	41400 (12130)	39400 (11550)	37200 (10900)	34700 (10170)	32000 (9380)	29100 (8530)	26400 (7740)	
TEZA076H8 Compressor Model ZB66K5E	40 (4.4)	113500 (33260)	109800 (32180)	106100 (31090)	102100 (29920)	98000 (28720)	93700 (27460)	89400 (26200)	85200 (25060)	
	40 (4.4)	104300 (30570)	100800 (29540)	97200 (28490)	93500 (27400)	89700 (26290)	85700 (25120)	81700 (23940)	77800 (22800)	
	35 (1.7)	95200 (27900)	92000 (26960)	88700 (26000)	85300 (25000)	81700 (23940)	78000 (22860)	74300 (21780)	70700 (20720)	
	30 (-1.1)	86500 (25350)	83600 (24500)	80400 (23560)	77300 (22650)	74000 (21690)	70700 (20720)	67300 (19720)	64000 (18780)	
	25 (-3.9)	78200 (22920)	75400 (22100)	72600 (21280)	69600 (20400)	66700 (19550)	63600 (18640)	60600 (17760)	57700 (16890)	
	20 (-6.7)	70200 (20570)	67700 (19840)	65100 (19080)	62400 (18290)	59700 (17500)	57000 (16700)	54400 (15940)	51900 (15200)	
	15 (-9.4)	62700 (18380)	60400 (17700)	58000 (17000)	55700 (16320)	53200 (15590)	50900 (14920)	48600 (14240)	46400 (13580)	
	10 (-12.2)	55700 (16320)	53600 (15710)	51500 (15090)	49400 (14480)	47300 (13860)	45300 (13280)	43300 (12690)	41400 (12130)	
	5 (-15.0)	49000 (14360)	47100 (13800)	45400 (13310)	43500 (12750)	41800 (12250)	40100 (11750)	38600 (11310)	37100 (10870)	
0 (-17.8)	49000 (14360)	47100 (13800)	45400 (13310)	43500 (12750)	41800 (12250)	40100 (11750)	38600 (11310)	37100 (10870)		
TEZA085H8 Compressor Model ZB76K5E	40 (4.4)	129700 (38010)	125100 (36660)	120300 (35260)	115600 (33880)	110900 (32500)	106100 (31090)	101200 (29660)	96400 (28260)	
	35 (1.7)	118300 (34670)	114300 (33500)	110300 (32330)	106100 (31090)	101900 (29860)	97700 (28630)	93300 (27340)	89000 (26080)	
	30 (-1.1)	107800 (31590)	104400 (30600)	100800 (29540)	97100 (28460)	93500 (27400)	89800 (26320)	86000 (25200)	82400 (24120)	
	25 (-3.9)	98200 (28780)	95100 (27870)	92000 (26960)	88800 (26020)	85600 (25090)	82300 (24120)	79000 (23150)	75800 (22200)	
	20 (-6.7)	89100 (26110)	86500 (25350)	83800 (24560)	81000 (23740)	78100 (22890)	75200 (22040)	72200 (21160)	69300 (20310)	
	15 (-9.4)	80700 (23650)	78400 (22980)	76000 (22270)	73500 (21540)	71000 (20810)	68400 (20050)	65600 (19230)	62900 (18450)	
	10 (-12.2)	73000 (21390)	70900 (20780)	68700 (20130)	66400 (19460)	64100 (18790)	61600 (18050)	59100 (17320)	56700 (16620)	
	5 (-15.0)	65600 (19230)	63600 (18640)	61500 (18020)	59400 (17410)	57100 (16730)	54800 (16060)	52400 (15360)	50100 (14710)	
	0 (-17.8)	58700 (17200)	56700 (16620)	54600 (16000)	52400 (15360)	50200 (14710)	47900 (14040)	45500 (13330)	43200 (12660)	
110H8 Compressor Model ZB95K5E	40 (4.4)	166100 (48680)	161000 (47180)	155500 (45570)	149800 (43900)	143900 (42170)	137600 (40330)	131100 (38420)	124500 (36530)	
	35 (1.7)	152500 (44690)	147600 (43260)	142500 (41760)	137100 (40180)	131500 (38540)	125700 (36840)	119700 (35080)	113700 (33300)	
	30 (-1.1)	139200 (40800)	134700 (39480)	129900 (38070)	124800 (36580)	119600 (35050)	114200 (33470)	108600 (31830)	103000 (30200)	
	25 (-3.9)	126500 (37070)	122200 (35810)	117700 (34490)	113100 (33150)	108200 (31710)	103100 (30220)	98100 (28750)	93200 (27310)	
	20 (-6.7)	114200 (33470)	110300 (32330)	106100 (31090)	101700 (29810)	97200 (28490)	92600 (27140)	88000 (25790)	83500 (24560)	
	15 (-9.4)	102600 (30070)	98800 (28960)	95000 (27840)	90900 (26640)	86800 (25440)	82600 (24210)	78400 (22980)	74300 (21780)	
	10 (-12.2)	91500 (26820)	88000 (25790)	84400 (24740)	80900 (23710)	77100 (22600)	73300 (21480)	69600 (20400)	66000 (19360)	
	5 (-15.0)	81000 (23740)	77800 (22800)	74600 (21860)	71300 (20900)	67900 (19900)	64700 (18960)	61400 (17990)	58200 (17080)	
	0 (-17.8)	71200 (20870)	68400 (20050)	65400 (19170)	62500 (18320)	59500 (17440)	56700 (16620)	54000 (15830)	51400 (15080)	
TEZA150H8 Compressor Model ZB114K5E	40 (4.4)	193400 (56680)	187100 (54830)	180600 (52930)	173700 (50910)	166600 (48830)	159300 (46690)	151700 (44460)	143900 (42260)	
	35 (1.7)	177800 (52110)	171800 (50350)	165600 (48530)	159200 (46660)	152500 (44690)	145500 (42640)	138500 (40590)	131500 (38540)	
	30 (-1.1)	162400 (47590)	156900 (45980)	151100 (44280)	145000 (42500)	138700 (40650)	132300 (38770)	125700 (36840)	119000 (35000)	
	25 (-3.9)	147600 (43260)	142400 (41730)	136900 (40120)	131300 (38480)	125500 (36780)	119500 (35020)	113400 (33230)	107200 (31500)	
	20 (-6.7)	133400 (39100)	128500 (37660)	123400 (36160)	118100 (34610)	112800 (33060)	107300 (31450)	101700 (29810)	96000 (28200)	
	15 (-9.4)	119700 (35080)	115200 (33760)	110500 (32380)	105600 (30950)	100700 (29510)	95800 (28080)	90800 (26610)	85700 (25190)	
	10 (-12.2)	106700 (31270)	102500 (30040)	98200 (28780)	93900 (27520)	89400 (26200)	84900 (24880)	80600 (23620)	76200 (22400)	
	5 (-15.0)	94500 (27700)	90700 (26580)	86700 (25410)	82800 (24270)	79000 (23150)	75100 (22010)	71300 (20900)	67500 (19810)	
	0 (-17.8)	83200 (24380)	79700 (23360)	76200 (22330)	72800 (21340)	69400 (20340)	66200 (19400)	63000 (18460)	59800 (17540)	

NOTES:

- Above ratings are based on mean temperature.
- To convert to dew point ratings, use 0.95 multiplier.

CAPACITY DATA - R407A

LOW TEMPERATURE

MODEL TEZA	SATURATED SUCTION TEMPERATURE		CAPACITY BTU/H (WATTS) R407A AMBIENT TEMPERATURE °F (°C)													
	°F	°C	80 (26.6)		85 (29.4)		90 (32.2)		95 (35)		100 (37.8)		105 (40.6)		110 (43.3)	
			80	(26.6)	85	(29.4)	90	(32.2)	95	(35)	100	(37.8)	105	(40.6)	110	(43.3)
TEZA020L8 Compressor Model ZF06K4E	0 (-17.8)		12000 (3520)	11700 (3430)	11300 (3310)	10900 (3190)	10500 (3080)	10100 (2960)	9630 (2820)							
	-5 (-20.6)		10800 (3170)	10500 (3080)	10100 (2960)	9800 (2870)	9440 (2770)	9060 (2660)	8660 (2540)							
	-10 (-23.3)		9650 (2830)	9380 (2750)	9070 (2660)	8780 (2570)	8440 (2470)	8120 (2380)	7760 (2270)							
	-15 (-26.1)		8570 (2510)	8340 (2440)	8070 (2370)	7800 (2290)	7520 (2200)	7230 (2120)	6920 (2030)							
	-20 (-28.9)		7570 (2220)	7360 (2160)	7140 (2090)	6910 (2030)	6660 (1950)	6410 (1880)	6130 (1800)							
	-25 (-31.7)		6670 (1950)	6480 (1900)	6290 (1840)	6090 (1780)	5870 (1720)	5640 (1650)	5410 (1590)							
	-30 (-34.4)		5830 (1710)	5680 (1660)	5500 (1610)	5320 (1560)	5120 (1500)	4920 (1440)	4710 (1380)							
	-35 (-37.2)		5080 (1490)	4940 (1450)	4800 (1410)	4630 (1360)	4460 (1310)	4280 (1250)	4110 (1200)							
-40 (-40.0)		4410 (1290)	4280 (1250)	4150 (1220)	4000 (1170)	3860 (1130)	3710 (1090)	3540 (1040)								
TEZA025L8 Compressor Model ZF08K4E	0 (-17.8)		14800 (4340)	14400 (4220)	14000 (4100)	13400 (3930)	12900 (3780)	12500 (3660)	11900 (3490)							
	-5 (-20.6)		13300 (3900)	12900 (3780)	12500 (3660)	12100 (3550)	11700 (3430)	11200 (3280)	10700 (3140)							
	-10 (-23.3)		11900 (3490)	11600 (3400)	11200 (3280)	10800 (3170)	10400 (3050)	10000 (2930)	9610 (2820)							
	-15 (-26.1)		10600 (3110)	10300 (3020)	9980 (2920)	9650 (2830)	9290 (2720)	8940 (2620)	8560 (2510)							
	-20 (-28.9)		9360 (2740)	9100 (2670)	8830 (2590)	8540 (2500)	8230 (2410)	7910 (2320)	7570 (2220)							
	-25 (-31.7)		8230 (2410)	8000 (2340)	7770 (2280)	7520 (2200)	7250 (2120)	6970 (2040)	6670 (1950)							
	-30 (-34.4)		7210 (2110)	7010 (2050)	6800 (1990)	6570 (1930)	6340 (1860)	6100 (1790)	5830 (1710)							
	-35 (-37.2)		6270 (1840)	6110 (1790)	5920 (1730)	5720 (1680)	5510 (1610)	5290 (1550)	5070 (1490)							
-40 (-40.0)		5450 (1600)	5290 (1550)	5120 (1500)	4950 (1450)	4770 (1400)	4580 (1340)	4380 (1280)								
TEZA030L8 Compressor Model ZF09K4E	0 (-17.8)		16300 (4780)	15800 (4630)	15200 (4450)	14700 (4310)	14300 (4190)	13800 (4040)	13200 (3870)							
	-5 (-20.6)		14800 (4340)	14400 (4220)	13900 (4070)	13400 (3930)	13000 (3810)	12600 (3690)	12100 (3550)							
	-10 (-23.3)		13300 (3900)	12900 (3780)	12500 (3660)	12200 (3580)	11800 (3460)	11300 (3310)	10900 (3190)							
	-15 (-26.1)		11900 (3490)	11400 (3340)	11100 (3250)	10800 (3170)	10500 (3080)	10100 (2960)	9790 (2870)							
	-20 (-28.9)		10400 (3050)	10100 (2960)	9830 (2880)	9520 (2790)	9230 (2710)	8940 (2620)	8640 (2530)							
	-25 (-31.7)		9120 (2670)	8860 (2600)	8600 (2520)	8340 (2440)	8070 (2370)	7810 (2290)	7560 (2220)							
	-30 (-34.4)		7980 (2340)	7740 (2270)	7510 (2200)	7270 (2130)	7040 (2060)	6800 (1990)	6580 (1930)							
	-35 (-37.2)		7040 (2060)	6810 (2000)	6590 (1930)	6370 (1870)	6150 (1800)	5950 (1740)	5740 (1680)							
-40 (-40.0)		6330 (1860)	6110 (1790)	5900 (1730)	5690 (1670)	5480 (1610)	5280 (1550)	5090 (1490)								
TEZA035L8 Compressor Model ZF11K4E	0 (-17.8)		19800 (5800)	19200 (5630)	18600 (5450)	18000 (5280)	17200 (5040)	16600 (4860)	15900 (4660)							
	-5 (-20.6)		18100 (5300)	17500 (5130)	16900 (4950)	16400 (4810)	15800 (4630)	15200 (4450)	14600 (4280)							
	-10 (-23.3)		16300 (4780)	15800 (4630)	15300 (4480)	14800 (4340)	14300 (4190)	13800 (4040)	13200 (3870)							
	-15 (-26.1)		14500 (4250)	14100 (4130)	13700 (4020)	13100 (3840)	12700 (3720)	12300 (3600)	11900 (3490)							
	-20 (-28.9)		12700 (3720)	12400 (3630)	12000 (3520)	11700 (3430)	11200 (3280)	10800 (3170)	10500 (3080)							
	-25 (-31.7)		11100 (3250)	10800 (3170)	10500 (3080)	10200 (2990)	9840 (2880)	9500 (2780)	9180 (2690)							
	-30 (-34.4)		9750 (2860)	9460 (2770)	9170 (2690)	8860 (2600)	8570 (2510)	8280 (2430)	7990 (2340)							
	-35 (-37.2)		8590 (2520)	8320 (2440)	8050 (2360)	7770 (2280)	7510 (2200)	7260 (2130)	7000 (2050)							
-40 (-40.0)		7720 (2260)	7470 (2190)	7210 (2110)	6960 (2040)	6700 (1960)	6470 (1900)	6240 (1830)								
TEZA045L8 Compressor Model ZF13K4E	0 (-17.8)		24000 (7030)	23300 (6830)	22600 (6620)	21800 (6390)	21100 (6180)	20300 (5950)	19400 (5690)							
	-5 (-20.6)		21500 (6300)	20900 (6130)	20300 (5950)	19500 (5710)	18800 (5510)	18100 (5300)	17300 (5070)							
	-10 (-23.3)		19200 (5630)	18600 (5450)	18000 (5280)	17300 (5070)	16700 (4890)	16000 (4690)	15200 (4450)							
	-15 (-26.1)		17000 (4980)	16500 (4840)	15900 (4660)	15300 (4480)	14700 (4310)	14100 (4130)	13300 (3900)							
	-20 (-28.9)		15000 (4400)	14500 (4250)	14000 (4100)	13400 (3930)	12900 (3780)	12300 (3600)	11700 (3430)							
	-25 (-31.7)		13100 (3840)	12700 (3720)	12200 (3580)	11800 (3460)	11200 (3280)	10700 (3140)	10200 (2990)							
	-30 (-34.4)		11400 (3340)	11100 (3250)	10700 (3140)	10300 (3020)	9890 (2900)	9460 (2770)	9010 (2640)							
	-35 (-37.2)		10100 (2960)	9750 (2860)	9440 (2770)	9110 (2670)	8790 (2580)	8440 (2470)	8070 (2370)							
-40 (-40.0)		8960 (2630)	8720 (2560)	8460 (2480)	8230 (2410)	7980 (2340)	7730 (2270)	7440 (2180)								
TEZA055L8 Compressor Model ZF15K4E	0 (-17.8)		29600 (8670)	28700 (8410)	27800 (8150)	27000 (7910)	26000 (7620)	25100 (7360)	24000 (7030)							
	-5 (-20.6)		26500 (7770)	25700 (7530)	24900 (7300)	24000 (7030)	23200 (6800)	22400 (6560)	21400 (6270)							
	-10 (-23.3)		23600 (6920)	22900 (6710)	22200 (6510)	21400 (6270)	20600 (6040)	19800 (5800)	18900 (5540)							
	-15 (-26.1)		20900 (6130)	20300 (5950)	19600 (5740)	18900 (5540)	18200 (5330)	17400 (5100)	16700 (4890)							
	-20 (-28.9)		18500 (5420)	17900 (5250)	17300 (5070)	16700 (4890)	16100 (4720)	15300 (4480)	14600 (4280)							
	-25 (-31.7)		16300 (4780)	15800 (4630)	15200 (4450)	14700 (4310)	14100 (4130)	13400 (3930)	12800 (3750)							
	-30 (-34.4)		14400 (4220)	13900 (4070)	13400 (3930)	12900 (3780)	12500 (3660)	11900 (3490)	11300 (3310)							
	-35 (-37.2)		12700 (3720)	12400 (3630)	12000 (3520)	11600 (3400)	11100 (3250)	10600 (3110)	10100 (2960)							
-40 (-40.0)		11400 (3340)	11100 (3250)	10800 (3170)	10500 (3080)	10100 (2960)	9670 (2830)	9200 (2700)								
TEZA060L8 Compressor Model ZF18K4E	0 (-17.8)		34900 (10230)	33800 (9910)	32900 (9640)	31800 (9320)	30800 (9030)	29700 (8700)	28600 (8380)							
	-5 (-20.6)		31300 (9170)	30300 (8880)	29500 (8650)	28600 (8380)	27600 (8090)	26600 (7800)	25600 (7500)							
	-10 (-23.3)		27900 (8180)	27100 (7940)	26300 (7710)	25400 (7440)	24600 (7210)	23600 (6920)	22800 (6680)							
	-15 (-26.1)		24800 (7270)	24000 (7030)	23300 (6830)	22600 (6620)	21700 (6360)	21000 (6150)	20100 (5890)							
	-20 (-28.9)		21900 (6420)	21300 (6240)	20600 (6040)	20000 (5860)	19200 (5630)	18500 (5420)	17700 (5190)							
	-25 (-31.7)		19300 (5660)	18800 (5510)	18200 (5330)	17500 (5130)	16900 (4950)	16300 (4780)	15500 (4540)							
	-30 (-34.4)		17000 (4980)	16600 (4860)	16100 (4720)	15500 (4540)	14900 (4370)	14400 (4220)	13800 (4040)							
	-35 (-37.2)		15100 (4430)	14700 (4310)	14300 (4190)	13800 (4040)	13300 (3900)	12800 (3750)	12200 (3580)							
-40 (-40.0)		13500 (3960)	13200 (3870)	12800 (3750)	12400 (3630)	12100 (3550)	11600 (3400)	11100 (3250)								

NOTES:

- Above ratings are based on mean temperature.
- To convert to dew point ratings, use 0.95 multiplier.

table continues on next page >>>

CAPACITY DATA - R407A

LOW TEMPERATURE (cont'd)

MODEL TEZA	SATURATED SUCTION TEMPERATURE		CAPACITY BTU/H (WATTS) R407A AMBIENT TEMPERATURE °F (°C)							
	° F	° C	80 (26.6)	85 (29.4)	90 (32.2)	95 (35)	100 (37.8)	105 (40.6)	110 (43.3)	
TEZA075L8 Compressor Model ZF25K4E	0	(-17.8)	42800 (12540)	41600 (12190)	40300 (11810)	39100 (11460)	37800 (11080)	36500 (10700)	35200 (10320)	
	-5	(-20.6)	38400 (11250)	37300 (10930)	36200 (10610)	35100 (10290)	33900 (9940)	32800 (9610)	31500 (9230)	
	-10	(-23.3)	34300 (10050)	33300 (9760)	32200 (9440)	31300 (9170)	30200 (8850)	29100 (8530)	28000 (8210)	
	-15	(-26.1)	30500 (8940)	29500 (8650)	28700 (8410)	27700 (8120)	26800 (7850)	25700 (7530)	24800 (7270)	
	-20	(-28.9)	26900 (7880)	26000 (7620)	25300 (7410)	24500 (7180)	23600 (6920)	22700 (6650)	21700 (6360)	
	-25	(-31.7)	23700 (6950)	23000 (6740)	22300 (6540)	21500 (6300)	20800 (6100)	20000 (5860)	19100 (5600)	
	-30	(-34.4)	20900 (6130)	20300 (5950)	19600 (5740)	19000 (5570)	18400 (5390)	17600 (5160)	16900 (4950)	
	-35	(-37.2)	18500 (5420)	18000 (5280)	17400 (5100)	16900 (4950)	16300 (4780)	15600 (4570)	15000 (4400)	
	-40	(-40.0)	16600 (4860)	16200 (4750)	15600 (4570)	15200 (4450)	14700 (4310)	14200 (4160)	13700 (4020)	
TEZA100L8 Compressor Model ZF34K5E	0	(-17.8)	58100 (17030)	56400 (16530)	54600 (16000)	52700 (15440)	50800 (14890)	48800 (14300)	46700 (13690)	
	-5	(-20.6)	52200 (15300)	50600 (14830)	49000 (14360)	47400 (13890)	45600 (13360)	43700 (12810)	41800 (12250)	
	-10	(-23.3)	46600 (13660)	45300 (13280)	43700 (12810)	42200 (12370)	40500 (11870)	38900 (11400)	37100 (10870)	
	-15	(-26.1)	41400 (12130)	40100 (11750)	38700 (11340)	37400 (10960)	35900 (10520)	34300 (10050)	32700 (9580)	
	-20	(-28.9)	36500 (10700)	35400 (10370)	34200 (10020)	33000 (9670)	31600 (9260)	30100 (8820)	28700 (8410)	
	-25	(-31.7)	32200 (9440)	31200 (9140)	30000 (8790)	29000 (8500)	27700 (8120)	26500 (7770)	25100 (7360)	
	-30	(-34.4)	28400 (8320)	27400 (8030)	26500 (7770)	25400 (7440)	24400 (7150)	23200 (6800)	21900 (6420)	
	-35	(-37.2)	25000 (7330)	24300 (7120)	23400 (6860)	22500 (6590)	21500 (6300)	20500 (6010)	19300 (5660)	
	-40	(-40.0)	22400 (6560)	21600 (6330)	20900 (6130)	20200 (5920)	19300 (5660)	18400 (5390)	17300 (5070)	
TEZA130L8 Compressor Model ZF41K5E	0	(-17.8)	71300 (20900)	69300 (20310)	67200 (19690)	65100 (19080)	63000 (18460)	60700 (17790)	58400 (17120)	
	-5	(-20.6)	64200 (18820)	62300 (18260)	60400 (17700)	58500 (17140)	56500 (16560)	54400 (15940)	52300 (15330)	
	-10	(-23.3)	57300 (16790)	55700 (16320)	54000 (15830)	52200 (15300)	50400 (14770)	48500 (14210)	46400 (13600)	
	-15	(-26.1)	50900 (14920)	49500 (14510)	48000 (14070)	46300 (13570)	44700 (13100)	42900 (12570)	41100 (12050)	
	-20	(-28.9)	45200 (13250)	43800 (12840)	42400 (12430)	41000 (12020)	39500 (11580)	37800 (11080)	36100 (10580)	
	-25	(-31.7)	39800 (11660)	38600 (11310)	37400 (10960)	36100 (10580)	34800 (10200)	33300 (9760)	31700 (9290)	
	-30	(-34.4)	35100 (10290)	34100 (9990)	33000 (9670)	31800 (9320)	30700 (9000)	29300 (8590)	27700 (8120)	
	-35	(-37.2)	31100 (9110)	30200 (8850)	29300 (8590)	28200 (8260)	27100 (7940)	25900 (7590)	24600 (7210)	
	-40	(-40.0)	27900 (8180)	27100 (7940)	26400 (7740)	25400 (7440)	24400 (7150)	23200 (6800)	21900 (6420)	
TEZA150L8 Compressor Model ZF49K5E	0	(-17.8)	84800 (24850)	82300 (24120)	79800 (23390)	77300 (22650)	74600 (21860)	71700 (21010)	68700 (20130)	
	-5	(-20.6)	76200 (22330)	74000 (21690)	71600 (20980)	69300 (20310)	66800 (19580)	64100 (18790)	61300 (17970)	
	-10	(-23.3)	68000 (19930)	66000 (19340)	63800 (18700)	61600 (18050)	59300 (17380)	56900 (16680)	54300 (15910)	
	-15	(-26.1)	60400 (17700)	58600 (17170)	56600 (16590)	54600 (16000)	52500 (15390)	50200 (14710)	47800 (14010)	
	-20	(-28.9)	53300 (15620)	51700 (15150)	50000 (14650)	48100 (14100)	46200 (13540)	44100 (12920)	41900 (12280)	
	-25	(-31.7)	47000 (13770)	45500 (13330)	44000 (12900)	42300 (12400)	40500 (11870)	38600 (11310)	36500 (10700)	
	-30	(-34.4)	41500 (12160)	40100 (11750)	38700 (11340)	37300 (10930)	35700 (10460)	33900 (9940)	32000 (9380)	
	-35	(-37.2)	36900 (10810)	35700 (10460)	34400 (10080)	33200 (9730)	31700 (9290)	30100 (8820)	28400 (8320)	
	-40	(-40.0)	33300 (9760)	32200 (9440)	31200 (9140)	30000 (8790)	28700 (8410)	27300 (8000)	25600 (7500)	

NOTES:

- Above ratings are based on mean temperature.
- To convert to dew point ratings, use 0.95 multiplier.

CAPACITY DATA - R448A HIGH / MEDIUM TEMPERATURE

MODEL TEZA	SAT. SUCT. TEMP.		CAPACITY BTU/H (WATTS) R448A AMBIENT TEMPERATURE °F (°C)							
	° F	° C	80 (26.6)	85 (29.4)	90 (32.2)	95 (35)	100 (37.8)	105 (40.6)	110 (43.3)	
TEZA010H8 Compressor Model ZS09KAE	40 (4.4)		16700 (4890)	16300 (4780)	15900 (4660)	15400 (4510)	14900 (4370)	14300 (4190)	13700 (4020)	
	35 (1.7)		15000 (4400)	14700 (4310)	14400 (4220)	14000 (4100)	13400 (3930)	12900 (3780)	12300 (3600)	
	30 (-1.1)		13700 (4020)	13300 (3900)	12900 (3780)	12600 (3690)	12200 (3580)	11700 (3430)	11100 (3250)	
	25 (-3.9)		12300 (3600)	12000 (3520)	11700 (3430)	11300 (3310)	10900 (3190)	10500 (3080)	10000 (2930)	
	20 (-6.7)		11000 (3220)	10800 (3170)	10500 (3080)	10200 (2990)	9880 (2900)	9500 (2780)	9050 (2650)	
	15 (-9.4)		9920 (2910)	9690 (2840)	9450 (2770)	9200 (2700)	8900 (2610)	8570 (2510)	8170 (2390)	
	10 (-12.2)		8890 (2610)	8680 (2540)	8470 (2480)	8270 (2420)	8010 (2350)	7730 (2270)	7390 (2170)	
	5 (-15.0)		7960 (2330)	7770 (2280)	7590 (2220)	7420 (2170)	7220 (2120)	6980 (2050)	6680 (1960)	
	0 (-17.8)		7090 (2080)	6930 (2030)	6790 (1990)	6650 (1950)	6490 (1900)	6300 (1850)	6050 (1770)	
TEZA011H8 Compressor Model ZS11KAE	40 (4.4)		19700 (5770)	19200 (5630)	18700 (5480)	18200 (5330)	17400 (5100)	16700 (4890)	15900 (4660)	
	35 (1.7)		17900 (5250)	17400 (5100)	16900 (4950)	16400 (4810)	15900 (4660)	15100 (4430)	14400 (4220)	
	30 (-1.1)		16200 (4750)	15800 (4630)	15300 (4480)	14800 (4340)	14300 (4190)	13700 (4020)	13000 (3810)	
	25 (-3.9)		14600 (4280)	14200 (4160)	13900 (4070)	13400 (3930)	12900 (3780)	12400 (3630)	11800 (3460)	
	20 (-6.7)		13100 (3840)	12800 (3750)	12500 (3660)	12100 (3550)	11700 (3430)	11100 (3250)	10600 (3110)	
	15 (-9.4)		11800 (3460)	11600 (3400)	11200 (3280)	10900 (3190)	10500 (3080)	10100 (2960)	9600 (2810)	
	10 (-12.2)		10600 (3110)	10300 (3020)	10100 (2960)	9820 (2880)	9500 (2780)	9140 (2680)	8680 (2540)	
	5 (-15.0)		9470 (2780)	9250 (2710)	9040 (2650)	8820 (2580)	8570 (2510)	8250 (2420)	7890 (2310)	
	0 (-17.8)		8440 (2470)	8250 (2420)	8100 (2370)	7920 (2320)	7720 (2260)	7480 (2190)	7150 (2100)	
TEZA015H8 Compressor Model ZS13KAE	40 (4.4)		22200 (6510)	21500 (6300)	20900 (6130)	20200 (5920)	19300 (5660)	18400 (5390)	17300 (5070)	
	35 (1.7)		20100 (5890)	19400 (5690)	18900 (5540)	18200 (5330)	17400 (5100)	16600 (4860)	15600 (4570)	
	30 (-1.1)		18100 (5300)	17500 (5130)	17000 (4980)	16400 (4810)	15800 (4630)	15000 (4400)	14200 (4160)	
	25 (-3.9)		16300 (4780)	15900 (4660)	15300 (4480)	14800 (4340)	14300 (4190)	13700 (4020)	12800 (3750)	
	20 (-6.7)		14700 (4310)	14300 (4190)	13900 (4070)	13400 (3930)	12900 (3780)	12300 (3600)	11700 (3430)	
	15 (-9.4)		13200 (3870)	12900 (3780)	12500 (3660)	12200 (3580)	11700 (3430)	11200 (3280)	10600 (3110)	
	10 (-12.2)		11900 (3490)	11700 (3430)	11300 (3310)	11000 (3220)	10600 (3110)	10200 (2990)	9650 (2830)	
	5 (-15.0)		10700 (3140)	10400 (3050)	10200 (2990)	9930 (2910)	9630 (2820)	9250 (2710)	8800 (2580)	
	0 (-17.8)		9600 (2810)	9390 (2750)	9200 (2700)	8980 (2630)	8730 (2560)	8410 (2460)	8020 (2350)	
TEZA020H8 Compressor Model ZB15KCE	40 (4.4)		26000 (7620)	25000 (7330)	23900 (7000)	22900 (6710)	21700 (6360)	20600 (6040)	19300 (5660)	
	35 (1.7)		23700 (6950)	22800 (6680)	21700 (6360)	20700 (6070)	19600 (5740)	18600 (5450)	17400 (5100)	
	30 (-1.1)		21400 (6270)	20600 (6040)	19600 (5740)	18700 (5480)	17700 (5190)	16700 (4890)	15600 (4570)	
	25 (-3.9)		19300 (5660)	18500 (5420)	17600 (5160)	16800 (4920)	15900 (4660)	15000 (4400)	14100 (4130)	
	20 (-6.7)		17300 (5070)	16600 (4860)	15900 (4660)	15000 (4400)	14300 (4190)	13400 (3930)	12600 (3690)	
	15 (-9.4)		15500 (4540)	14800 (4340)	14200 (4160)	13400 (3930)	12700 (3720)	12100 (3550)	11300 (3310)	
	10 (-12.2)		13900 (4070)	13200 (3870)	12600 (3690)	12000 (3520)	11400 (3340)	10800 (3170)	10200 (2990)	
	5 (-15.0)		12300 (3600)	11800 (3460)	11200 (3280)	10700 (3140)	10200 (2990)	9770 (2860)	9320 (2730)	
	0 (-17.8)		10900 (3190)	10500 (3080)	10100 (2960)	9650 (2830)	9260 (2710)	8940 (2620)	---	
TEZA025H8 Compressor Model ZB19KCE	40 (4.4)		32300 (9470)	31200 (9140)	29900 (8760)	28700 (8410)	27400 (8030)	26000 (7620)	24800 (7270)	
	35 (1.7)		29400 (8620)	28400 (8320)	27200 (7970)	26000 (7620)	24800 (7270)	23600 (6920)	22400 (6560)	
	30 (-1.1)		26700 (7820)	25600 (7500)	24600 (7210)	23500 (6890)	22400 (6560)	21300 (6240)	20200 (5920)	
	25 (-3.9)		24200 (7090)	23200 (6800)	22200 (6510)	21200 (6210)	20200 (5920)	19100 (5600)	18200 (5330)	
	20 (-6.7)		21700 (6360)	20800 (6100)	20000 (5860)	19000 (5570)	18200 (5330)	17200 (5040)	16400 (4810)	
	15 (-9.4)		19500 (5710)	18700 (5480)	18000 (5280)	17100 (5010)	16300 (4780)	15500 (4540)	14800 (4340)	
	10 (-12.2)		17400 (5100)	16700 (4890)	16100 (4720)	15300 (4480)	14700 (4310)	14100 (4130)	13400 (3930)	
	5 (-15.0)		15600 (4570)	15000 (4400)	14400 (4220)	13900 (4070)	13300 (3900)	12900 (3780)	12400 (3630)	
	0 (-17.8)		14000 (4100)	13400 (3930)	13000 (3810)	12600 (3690)	12300 (3600)	12000 (3520)	---	
TEZA030H8 Compressor Model ZB19KCE	40 (4.4)		40700 (11930)	39400 (11550)	37900 (11110)	36400 (10670)	35000 (10260)	33400 (9790)	31800 (9320)	
	35 (1.7)		37000 (10840)	35700 (10460)	34300 (10050)	33000 (9670)	31600 (9260)	30100 (8820)	28600 (8380)	
	30 (-1.1)		33500 (9820)	32200 (9440)	31000 (9090)	29700 (8700)	28400 (8320)	27100 (7940)	25700 (7530)	
	25 (-3.9)		30200 (8850)	29100 (8530)	27900 (8180)	26700 (7820)	25500 (7470)	24300 (7120)	23000 (6740)	
	20 (-6.7)		27200 (7970)	26100 (7650)	25000 (7330)	23900 (7000)	22900 (6710)	21700 (6360)	20700 (6070)	
	15 (-9.4)		24400 (7150)	23300 (6830)	22400 (6560)	21400 (6270)	20500 (6010)	19500 (5710)	18600 (5450)	
	10 (-12.2)		21700 (6360)	20900 (6130)	20000 (5860)	19100 (5600)	18400 (5390)	17500 (5130)	16800 (4920)	
	5 (-15.0)		19300 (5660)	18600 (5450)	17900 (5250)	17200 (5040)	16600 (4860)	16000 (4690)	15300 (4480)	
	0 (-17.8)		17200 (5040)	16600 (4860)	16100 (4720)	15500 (4540)	15000 (4400)	14600 (4280)	14300 (4190)	

NOTES:

- Above ratings are based on mean temperature.
- To convert to dew point ratings, use 0.95 multiplier.
- Shaded Area Restriction: 20°F Max Superheat
- For R449A, use R448A data.

table continues on next page >>>

CAPACITY DATA - R448A HIGH / MEDIUM TEMPERATURE (cont'd)

MODEL	SAT. SUCT. TEMP.		CAPACITY BTU/H (WATTS) R448A AMBIENT TEMPERATURE °F (°C)							
	° F	° C	80 (26.6)	85 (29.4)	90 (32.2)	95 (35)	100 (37.8)	105 (40.6)	110 (43.3)	
TEZA035H8 Compressor Model ZB26KCE	40 (4.4)		46400 (13600)	44700 (13100)	43100 (12630)	41400 (12130)	39600 (11610)	37700 (11050)	35800 (10490)	
	35 (1.7)		42200 (12370)	40600 (11900)	39100 (11460)	37500 (10990)	35800 (10490)	34000 (9960)	32300 (9470)	
	30 (-1.1)		38200 (11200)	36800 (10780)	35300 (10350)	33800 (9910)	32200 (9440)	30700 (9000)	29100 (8530)	
	25 (-3.9)		34500 (10110)	33200 (9730)	31800 (9320)	30300 (8880)	29000 (8500)	27500 (8060)	26100 (7650)	
	20 (-6.7)		31100 (9110)	29800 (8730)	28600 (8380)	27300 (8000)	26000 (7620)	24800 (7270)	23500 (6890)	
	15 (-9.4)		27800 (8150)	26700 (7820)	25600 (7500)	24500 (7180)	23300 (6830)	22300 (6540)	21200 (6210)	
	10 (-12.2)		24900 (7300)	23800 (6980)	22900 (6710)	21900 (6420)	21000 (6150)	20100 (5890)	19200 (5630)	
	5 (-15.0)		22200 (6510)	21300 (6240)	20500 (6010)	19700 (5770)	19000 (5570)	18300 (5360)	17600 (5160)	
	0 (-17.8)		19700 (5770)	19100 (5600)	18500 (5420)	17900 (5250)	17300 (5070)	16900 (4950)	16500 (4840)	
TEZA040H8 Compressor Model ZB30KCE	40 (4.4)		52700 (15440)	50800 (14890)	49000 (14360)	47100 (13800)	45300 (13280)	43400 (12720)	---	
	35 (1.7)		48300 (14160)	46600 (13660)	44900 (13160)	43300 (12690)	41500 (12160)	39800 (11660)	---	
	30 (-1.1)		44200 (12950)	42600 (12480)	41100 (12050)	39500 (11580)	37900 (11110)	36300 (10640)	34800 (10200)	
	25 (-3.9)		40200 (11780)	38900 (11400)	37400 (10960)	36000 (10550)	34500 (10110)	33100 (9700)	31600 (9260)	
	20 (-6.7)		36500 (10700)	35300 (10350)	34000 (9960)	32700 (9580)	31300 (9170)	29900 (8760)	28700 (8410)	
	15 (-9.4)		33100 (9700)	31900 (9350)	30700 (9000)	29500 (8650)	28200 (8260)	27000 (7910)	25700 (7530)	
	10 (-12.2)		29800 (8730)	28800 (8440)	27600 (8090)	26500 (7770)	25300 (7410)	24200 (7090)	23100 (6770)	
	5 (-15.0)		26800 (7850)	25700 (7530)	24700 (7240)	23600 (6920)	22600 (6620)	21500 (6300)	20500 (6010)	
	0 (-17.8)		23800 (6980)	22900 (6710)	21800 (6390)	20900 (6130)	19800 (5800)	18900 (5540)	17900 (5250)	
TEZA050H8 Compressor Model ZB38KCE	40 (4.4)		65900 (19310)	63700 (18670)	61400 (17990)	59000 (17290)	56700 (16620)	54300 (15910)	---	
	35 (1.7)		60500 (17730)	58400 (17120)	56300 (16500)	54100 (15860)	52000 (15240)	49800 (14590)	---	
	30 (-1.1)		55200 (16180)	53300 (15620)	51500 (15090)	49500 (14510)	47500 (13920)	45500 (13330)	43500 (12750)	
	25 (-3.9)		50400 (14770)	48600 (14240)	46800 (13720)	45000 (13190)	43200 (12660)	41400 (12130)	39600 (11610)	
	20 (-6.7)		45800 (13420)	44100 (12920)	42500 (12460)	40800 (11960)	39200 (11490)	37500 (10990)	35800 (10490)	
	15 (-9.4)		41400 (12130)	39900 (11690)	38400 (11250)	36900 (10810)	35400 (10370)	33800 (9910)	32200 (9440)	
	10 (-12.2)		37300 (10930)	35900 (10520)	34500 (10110)	33200 (9730)	31700 (9290)	30200 (8850)	28900 (8470)	
	5 (-15.0)		33400 (9790)	32100 (9410)	30900 (9060)	29600 (8670)	28200 (8260)	26900 (7880)	25500 (7470)	
	0 (-17.8)		29800 (8730)	28600 (8380)	27400 (8030)	26100 (7650)	24900 (7300)	23600 (6920)	22400 (6560)	
TEZA060H8 Compressor Model ZB45KCE	40 (4.4)		80400 (23560)	77700 (22770)	74900 (21950)	72100 (21130)	69300 (20310)	66500 (19490)	63600 (18640)	
	35 (1.7)		73500 (21540)	71100 (20840)	68500 (20080)	65900 (19310)	63400 (18580)	60800 (17820)	58200 (17060)	
	30 (-1.1)		67100 (19660)	64800 (18990)	62500 (18320)	60200 (17640)	57800 (16940)	55400 (16240)	53000 (15530)	
	25 (-3.9)		61000 (17880)	58900 (17260)	56800 (16650)	54700 (16030)	52500 (15390)	50300 (14740)	48200 (14130)	
	20 (-6.7)		55300 (16210)	53400 (15650)	51600 (15120)	49600 (14540)	47600 (13950)	45600 (13360)	43600 (12780)	
	15 (-9.4)		50000 (14650)	48300 (14160)	46500 (13630)	44700 (13100)	42800 (12540)	41100 (12050)	39200 (11490)	
	10 (-12.2)		45000 (13190)	43500 (12750)	41800 (12250)	40100 (11750)	38400 (11250)	36800 (10780)	35100 (10290)	
	5 (-15.0)		40300 (11810)	38900 (11400)	37300 (10930)	35800 (10490)	34200 (10020)	32700 (9580)	31100 (9110)	
	0 (-17.8)		35900 (10520)	34500 (10110)	33100 (9700)	31600 (9260)	30100 (8820)	28700 (8410)	27200 (7970)	
TEZA061H8 Compressor Model ZB48KCE	40 (4.4)		89300 (26170)	86200 (25260)	83100 (24350)	79900 (23420)	76800 (22510)	73600 (21570)	---	
	35 (1.7)		81800 (23970)	79000 (23150)	76100 (22300)	73200 (21450)	70400 (20630)	67400 (19750)	---	
	30 (-1.1)		74800 (21920)	72100 (21130)	69500 (20370)	66900 (19610)	64200 (18820)	61500 (18020)	58800 (17230)	
	25 (-3.9)		68000 (19930)	65700 (19250)	63300 (18550)	60900 (17850)	58500 (17140)	56000 (16410)	53600 (15710)	
	20 (-6.7)		61800 (18110)	59600 (17470)	57400 (16820)	55200 (16180)	53000 (15530)	50700 (14860)	48400 (14180)	
	15 (-9.4)		56000 (16410)	54000 (15830)	51900 (15210)	49900 (14620)	47800 (14010)	45700 (13390)	43700 (12810)	
	10 (-12.2)		50400 (14770)	48500 (14210)	46700 (13690)	44800 (13130)	42800 (12540)	41000 (12020)	39100 (11460)	
	5 (-15.0)		45200 (13250)	43500 (12750)	41700 (12220)	40000 (11720)	38200 (11200)	36400 (10670)	34500 (10110)	
	0 (-17.8)		40200 (11780)	38600 (11310)	37000 (10840)	35300 (10350)	33600 (9850)	32000 (9380)	30200 (8850)	
TEZA070H8 Compressor Model ZB58K5E	40 (4.4)		97400 (28550)	94600 (27720)	91600 (26850)	88100 (25820)	84300 (24710)	80100 (23470)	---	
	35 (1.7)		89400 (26200)	86900 (25470)	84200 (24680)	81200 (23800)	77800 (22800)	73900 (21660)	---	
	30 (-1.1)		81600 (23910)	79400 (23270)	77100 (22600)	74300 (21780)	71300 (20900)	67800 (19870)	---	
	25 (-3.9)		74100 (21720)	72200 (21160)	70100 (20540)	67700 (19840)	65000 (19050)	61700 (18080)	---	
	20 (-6.7)		67100 (19660)	65400 (19170)	63500 (18610)	61300 (17970)	58700 (17200)	55800 (16350)	52400 (15360)	
	15 (-9.4)		60600 (17760)	58900 (17260)	57100 (16730)	55100 (16150)	52700 (15440)	49900 (14620)	46600 (13660)	
	10 (-12.2)		54400 (15940)	52800 (15470)	51000 (14950)	49000 (14360)	46700 (13690)	44000 (12900)	40800 (11960)	
	5 (-15.0)		48700 (14270)	47000 (13770)	45300 (13280)	43200 (12660)	40800 (11960)	38100 (11170)	35100 (10290)	
	0 (-17.8)		43400 (12720)	41600 (12190)	39600 (11610)	37500 (10990)	35100 (10290)	32300 (9470)	29200 (8560)	

NOTES:

- Above ratings are based on mean temperature.
- To convert to dew point ratings, use 0.95 multiplier.
- Shaded Area Restriction: 20°F Max Superheat
- For R449A, use R448A data.

table continues on next page >>>

CAPACITY DATA - R448A HIGH / MEDIUM TEMPERATURE (cont'd)

MODEL	SAT. SUCT. TEMP.		CAPACITY BTU/H (WATTS) R448A AMBIENT TEMPERATURE °F (°C)						
	° F	° C	80 (26.6)	85 (29.4)	90 (32.2)	95 (35)	100 (37.8)	105 (40.6)	110 (43.3)
TEZA076H8 Compressor Model ZB66K5E	40 (4.4)		115200 (33760)	112000 (32820)	108600 (31830)	105000 (30770)	101000 (29600)	96700 (28340)	91900 (26930)
	35 (1.7)		105300 (30860)	102500 (30040)	99500 (29160)	96400 (28250)	92900 (27230)	89000 (26080)	84700 (24820)
	30 (-1.1)		95900 (28110)	93500 (27400)	90900 (26640)	88100 (25820)	85100 (24940)	81600 (23910)	77800 (22800)
	25 (-3.9)		87000 (25500)	84800 (24850)	82600 (24210)	80200 (23500)	77500 (22710)	74400 (21800)	71000 (20810)
	20 (-6.7)		78800 (23090)	76800 (22510)	74800 (21920)	72600 (21280)	70100 (20540)	67400 (19750)	64300 (18840)
	15 (-9.4)		71000 (20810)	69200 (20280)	67400 (19750)	65400 (19170)	63100 (18490)	60600 (17760)	57600 (16880)
	10 (-12.2)		63900 (18730)	62200 (18230)	60400 (17700)	58500 (17140)	56400 (16530)	54000 (15830)	51200 (15010)
	5 (-15.0)		57300 (16790)	55500 (16270)	53800 (15770)	51900 (15210)	49900 (14620)	47500 (13920)	44800 (13130)
0 (-17.8)		51300 (15030)	49500 (14510)	47600 (13950)	45700 (13390)	43600 (12780)	41200 (12070)	38500 (11280)	
TEZA085H8 Compressor Model ZB76K5E	40 (4.4)		130600 (38270)	126900 (37190)	123100 (36080)	118900 (34850)	114100 (33440)	109100 (31970)	---
	35 (1.7)		119600 (35050)	116400 (34110)	113000 (33120)	109300 (32030)	105200 (30830)	100700 (29510)	---
	30 (-1.1)		109000 (31940)	106300 (31150)	103300 (30270)	100100 (29340)	96500 (28280)	92500 (27110)	88000 (25790)
	25 (-3.9)		99000 (29010)	96700 (28340)	94100 (27580)	91200 (26730)	88100 (25820)	84500 (24760)	80500 (23590)
	20 (-6.7)		89700 (26290)	87600 (25670)	85300 (25000)	82700 (24240)	80000 (23450)	76800 (22510)	73200 (21450)
	15 (-9.4)		81000 (23740)	79000 (23150)	77000 (22570)	74700 (21890)	72100 (21130)	69200 (20280)	65900 (19310)
	10 (-12.2)		72900 (21360)	71000 (20810)	69000 (20220)	66900 (19610)	64600 (18930)	61800 (18110)	58800 (17230)
	5 (-15.0)		65300 (19140)	63400 (18580)	61500 (18020)	59400 (17410)	57200 (16760)	54700 (16030)	51800 (15180)
0 (-17.8)		58400 (17120)	56400 (16530)	54400 (15940)	52300 (15330)	50100 (14680)	47700 (13980)	44800 (13130)	
TEZA110H8 Compressor Model ZB95K5E	40 (4.4)		173300 (50790)	167500 (49090)	161500 (47330)	155400 (45540)	149000 (43670)	142300 (41700)	135200 (39620)
	35 (1.7)		156500 (45870)	151300 (44340)	146000 (42790)	140400 (41150)	134600 (39450)	128500 (37660)	122100 (35780)
	30 (-1.1)		141000 (41320)	136500 (40000)	131700 (38600)	126600 (37100)	121400 (35580)	115800 (33940)	109800 (32180)
	25 (-3.9)		127100 (37250)	123000 (36050)	118700 (34790)	114000 (33410)	109200 (32000)	104000 (30480)	98500 (28870)
	20 (-6.7)		114500 (33560)	110700 (32440)	106700 (31270)	102400 (30010)	97900 (28690)	93000 (27260)	87900 (25760)
	15 (-9.4)		102900 (30160)	99300 (29100)	95600 (28020)	91600 (26850)	87300 (25590)	82600 (24210)	77700 (22770)
	10 (-12.2)		92300 (27050)	88900 (26050)	85300 (25000)	81400 (23860)	77300 (22650)	72800 (21340)	67900 (19900)
	5 (-15.0)		82400 (24150)	79200 (23210)	75600 (22160)	71700 (21010)	67500 (19780)	63100 (18490)	58300 (17090)
0 (-17.8)		73200 (21450)	69800 (20460)	66200 (19400)	62300 (18260)	58100 (17030)	53400 (15650)	48500 (14210)	
TEZA150H8 Compressor Model ZB114K5E	40 (4.4)		201200 (58970)	194400 (56970)	187200 (54860)	179900 (52720)	172200 (50470)	164300 (48150)	---
	35 (1.7)		182200 (53400)	176000 (51580)	169600 (49700)	162900 (47740)	155900 (45690)	148600 (43550)	---
	30 (-1.1)		164700 (48270)	159100 (46630)	153300 (44930)	147100 (43110)	140700 (41230)	134000 (39270)	126800 (37160)
	25 (-3.9)		148600 (43550)	143500 (42060)	138200 (40500)	132500 (38830)	126500 (37070)	120200 (35230)	113600 (33290)
	20 (-6.7)		133900 (39240)	129200 (37860)	124200 (36400)	119000 (34880)	113400 (33230)	107400 (31480)	101100 (29630)
	15 (-9.4)		120300 (35260)	115900 (33970)	111300 (32620)	106300 (31150)	101000 (29600)	95200 (27900)	89300 (26170)
	10 (-12.2)		107800 (31590)	103600 (30360)	99100 (29040)	94300 (27640)	89100 (26110)	83700 (24530)	77700 (22770)
	5 (-15.0)		96200 (28190)	92100 (26990)	87700 (25700)	83000 (24320)	77800 (22800)	72300 (21190)	66500 (19490)
0 (-17.8)		85300 (25000)	81100 (23770)	76700 (22480)	71800 (21040)	66700 (19550)	61200 (17940)	55200 (16180)	

NOTES:

- Above ratings are based on mean temperature.
- To convert to dew point ratings, use 0.95 multiplier.
- Shaded Area Restriction: 20°F Max Superheat
- For R449A, use R448A data.

CAPACITY DATA - R448A LOW TEMPERATURE

MODEL TEZA	SATURATED SUCTION TEMPERATURE		CAPACITY BTU/H (WATTS) R448A AMBIENT TEMPERATURE °F (°C)							
	° F	° C	80 (26.6)	85 (29.4)	90 (32.2)	95 (35)	100 (37.8)	105 (40.6)	110 (43.3)	
TEZA020L8 Compressor Model ZF06K4E	-5 (-20.6)		10900 (3190)	10600 (3110)	10300 (3020)	10000 (2930)	9720 (2850)	9440 (2770)	9170 (2690)	
	-10 (-23.3)		9800 (2870)	9520 (2790)	9260 (2710)	9000 (2640)	8740 (2560)	8470 (2480)	8240 (2410)	
	-15 (-26.1)		8740 (2560)	8510 (2490)	8270 (2420)	8020 (2350)	7800 (2290)	7580 (2220)	7390 (2170)	
	-20 (-28.9)		7760 (2270)	7550 (2210)	7340 (2150)	7130 (2090)	6930 (2030)	6750 (1980)	6580 (1930)	
	-25 (-31.7)		6860 (2010)	6670 (1950)	6480 (1900)	6300 (1850)	6120 (1790)	5960 (1750)	5820 (1710)	
	-30 (-34.4)		6030 (1770)	5860 (1720)	5680 (1660)	5510 (1610)	5360 (1570)	5230 (1530)	5100 (1490)	
	-35 (-37.2)		5270 (1540)	5100 (1490)	4940 (1450)	4790 (1400)	4650 (1360)	4530 (1330)	4420 (1300)	
-40 (-40.0)		4580 (1340)	4410 (1290)	4250 (1250)	4120 (1210)	3980 (1170)	3860 (1130)	3770 (1100)		
TEZA025L8 Compressor Model ZF08K4E	-5 (-20.6)		13900 (4070)	13500 (3960)	13100 (3840)	12700 (3720)	12300 (3600)	11900 (3490)	11400 (3340)	
	-10 (-23.3)		12400 (3630)	12100 (3550)	11800 (3460)	11300 (3310)	11000 (3220)	10600 (3110)	10200 (2990)	
	-15 (-26.1)		11000 (3220)	10700 (3140)	10500 (3080)	10200 (2990)	9830 (2880)	9490 (2780)	9140 (2680)	
	-20 (-28.9)		9800 (2870)	9540 (2800)	9280 (2720)	9010 (2640)	8740 (2560)	8430 (2470)	8130 (2380)	
	-25 (-31.7)		8660 (2540)	8430 (2470)	8200 (2400)	7960 (2330)	7720 (2260)	7460 (2190)	7190 (2110)	
	-30 (-34.4)		7630 (2240)	7430 (2180)	7220 (2120)	7000 (2050)	6780 (1990)	6560 (1920)	6330 (1860)	
	-35 (-37.2)		6700 (1960)	6520 (1910)	6330 (1860)	6130 (1800)	5930 (1740)	5730 (1680)	5530 (1620)	
-40 (-40.0)		5870 (1720)	5700 (1670)	5520 (1620)	5340 (1560)	5160 (1510)	4990 (1460)	4800 (1410)		
TEZA030L8 Compressor Model ZF09K4E	-5 (-20.6)		15300 (4480)	14900 (4370)	14400 (4220)	14000 (4100)	13500 (3960)	13100 (3840)	12600 (3690)	
	-10 (-23.3)		13700 (4020)	13300 (3900)	12900 (3780)	12500 (3660)	12200 (3580)	11800 (3460)	11300 (3310)	
	-15 (-26.1)		12200 (3580)	11900 (3490)	11600 (3400)	11200 (3280)	10900 (3190)	10500 (3080)	10200 (2990)	
	-20 (-28.9)		10800 (3170)	10600 (3110)	10300 (3020)	9980 (2920)	9680 (2840)	9380 (2750)	9060 (2660)	
	-25 (-31.7)		9620 (2820)	9360 (2740)	9100 (2670)	8850 (2590)	8590 (2520)	8330 (2440)	8050 (2360)	
	-30 (-34.4)		8460 (2480)	8240 (2410)	8020 (2350)	7800 (2290)	7570 (2220)	7340 (2150)	7110 (2080)	
	-35 (-37.2)		7430 (2180)	7250 (2120)	7050 (2070)	6850 (2010)	6650 (1950)	6450 (1890)	6250 (1830)	
-40 (-40.0)		6480 (1900)	6320 (1850)	6140 (1800)	5960 (1750)	5790 (1700)	5630 (1650)	5450 (1600)		
TEZA035L8 Compressor Model ZF11K4E	-5 (-20.6)		18700 (5480)	18200 (5330)	17600 (5160)	17100 (5010)	16500 (4840)	15900 (4660)	15200 (4450)	
	-10 (-23.3)		16800 (4920)	16300 (4780)	15900 (4660)	15300 (4480)	14800 (4340)	14300 (4190)	13800 (4040)	
	-15 (-26.1)		15000 (4400)	14600 (4280)	14200 (4160)	13800 (4040)	13200 (3870)	12800 (3750)	12300 (3600)	
	-20 (-28.9)		13300 (3900)	12900 (3780)	12600 (3690)	12200 (3580)	11900 (3490)	11400 (3340)	11000 (3220)	
	-25 (-31.7)		11800 (3460)	11400 (3340)	11100 (3250)	10800 (3170)	10500 (3080)	10100 (2960)	9780 (2870)	
	-30 (-34.4)		10400 (3050)	10100 (2960)	9850 (2890)	9570 (2800)	9280 (2720)	8980 (2630)	8650 (2540)	
	-35 (-37.2)		9110 (2670)	8880 (2600)	8650 (2540)	8410 (2460)	8170 (2390)	7910 (2320)	7640 (2240)	
-40 (-40.0)		7970 (2340)	7770 (2280)	7570 (2220)	7360 (2160)	7140 (2090)	6920 (2030)	6700 (1960)		
TEZA045L8 Compressor Model ZF13K4E	-5 (-20.6)		23000 (6740)	22300 (6540)	21400 (6270)	20500 (6010)	19600 (5740)	18700 (5480)	17700 (5190)	
	-10 (-23.3)		20600 (6040)	19800 (5800)	19100 (5600)	18300 (5360)	17500 (5130)	16700 (4890)	15900 (4660)	
	-15 (-26.1)		18300 (5360)	17600 (5160)	16900 (4950)	16300 (4780)	15500 (4540)	14900 (4370)	14200 (4160)	
	-20 (-28.9)		16100 (4720)	15500 (4540)	14900 (4370)	14400 (4220)	13800 (4040)	13200 (3870)	12600 (3690)	
	-25 (-31.7)		14100 (4130)	13700 (4020)	13100 (3840)	12700 (3720)	12200 (3580)	11800 (3460)	11200 (3280)	
	-30 (-34.4)		12300 (3600)	11900 (3490)	11600 (3400)	11100 (3250)	10700 (3140)	10400 (3050)	10100 (2960)	
	-35 (-37.2)		10600 (3110)	10300 (3020)	10000 (2930)	9740 (2850)	9490 (2780)	9260 (2710)	9050 (2650)	
-40 (-40.0)		9180 (2690)	8950 (2620)	8740 (2560)	8560 (2510)	8410 (2460)	8320 (2440)	8240 (2410)		
TEZA055L8 Compressor Model ZF15K4E	-5 (-20.6)		28200 (8260)	27300 (8000)	26400 (7740)	25300 (7410)	24300 (7120)	23200 (6800)	22100 (6480)	
	-10 (-23.3)		25300 (7410)	24500 (7180)	23500 (6890)	22700 (6650)	21700 (6360)	20800 (6100)	19800 (5800)	
	-15 (-26.1)		22500 (6590)	21700 (6360)	21000 (6150)	20200 (5920)	19400 (5690)	18600 (5450)	17700 (5190)	
	-20 (-28.9)		19800 (5800)	19200 (5630)	18600 (5450)	18000 (5280)	17200 (5040)	16600 (4860)	15900 (4660)	
	-25 (-31.7)		17500 (5130)	16900 (4950)	16400 (4810)	15900 (4660)	15300 (4480)	14700 (4310)	14200 (4160)	
	-30 (-34.4)		15300 (4480)	14900 (4370)	14500 (4250)	14000 (4100)	13500 (3960)	13100 (3840)	12700 (3720)	
	-35 (-37.2)		13400 (3930)	13000 (3810)	12700 (3720)	12300 (3600)	12000 (3520)	11700 (3430)	11300 (3310)	
-40 (-40.0)		11700 (3430)	11400 (3340)	11100 (3250)	10800 (3170)	10600 (3110)	10400 (3050)	10200 (2990)		
TEZA060L8 Compressor Model ZF18K4E	-5 (-20.6)		33300 (9760)	32200 (9440)	31100 (9110)	29900 (8760)	28700 (8410)	27500 (8060)	26300 (7710)	
	-10 (-23.3)		29800 (8730)	28900 (8470)	27900 (8180)	26900 (7880)	25800 (7560)	24800 (7270)	23700 (6950)	
	-15 (-26.1)		26600 (7800)	25700 (7530)	24900 (7300)	24000 (7030)	23200 (6800)	22300 (6540)	21300 (6240)	
	-20 (-28.9)		23600 (6920)	22900 (6710)	22200 (6510)	21400 (6270)	20700 (6070)	20000 (5860)	19200 (5630)	
	-25 (-31.7)		20800 (6100)	20300 (5950)	19600 (5740)	19000 (5570)	18500 (5420)	17900 (5250)	17200 (5040)	
	-30 (-34.4)		18300 (5360)	17700 (5190)	17300 (5070)	16800 (4920)	16400 (4810)	16000 (4690)	15500 (4540)	
	-35 (-37.2)		16000 (4690)	15500 (4540)	15200 (4450)	14800 (4340)	14500 (4250)	14200 (4160)	14000 (4100)	
-40 (-40.0)		13900 (4070)	13500 (3960)	13300 (3900)	13000 (3810)	12900 (3780)	12700 (3720)	12600 (3690)		

NOTES:

- Above ratings are based on mean temperature.
- To convert to dew point ratings, use 0.95 multiplier.
- Shaded Area Restriction: 20°F Max Superheat
- For R449A, use R448A data.

table continues on next page >>>

CAPACITY DATA - R448A LOW TEMPERATURE (cont'd)

MODEL TEZA	SATURATED SUCTION TEMPERATURE		CAPACITY BTU/H (WATTS) R448A AMBIENT TEMPERATURE °F (°C)							
	° F	° C	80 (26.6)	85 (29.4)	90 (32.2)	95 (35)	100 (37.8)	105 (40.6)	110 (43.3)	
TEZA075L8 Compressor Model ZF25K4E	-5 (-20.6)	41000 (12020)	39700 (11630)	38300 (11220)	37000 (10840)	35600 (10430)	34200 (10020)	32900 (9640)		
	-10 (-23.3)	36500 (10700)	35400 (10370)	34100 (9990)	33000 (9670)	31800 (9320)	30600 (8970)	29400 (8620)		
	-15 (-26.1)	32400 (9500)	31400 (9200)	30300 (8880)	29300 (8590)	28200 (8260)	27300 (8000)	26300 (7710)		
	-20 (-28.9)	28700 (8410)	27700 (8120)	26900 (7880)	25900 (7590)	25100 (7360)	24300 (7120)	23500 (6890)		
	-25 (-31.7)	25200 (7390)	24400 (7150)	23600 (6920)	22900 (6710)	22300 (6540)	21600 (6330)	21000 (6150)		
	-30 (-34.4)	22100 (6480)	21400 (6270)	20800 (6100)	20300 (5950)	19700 (5770)	19200 (5630)	18900 (5540)		
	-35 (-37.2)	19200 (5630)	18700 (5480)	18300 (5360)	17900 (5250)	17500 (5130)	17200 (5040)	17100 (5010)		
-40 (-40.0)	16800 (4920)	16400 (4810)	16100 (4720)	15900 (4660)	15700 (4600)	15600 (4570)	15500 (4540)			
TEZA100L8 Compressor Model ZF34K5E	-5 (-20.6)	51600 (15120)	50000 (14650)	48400 (14180)	46700 (13690)	45000 (13190)	43300 (12690)	41400 (12130)		
	-10 (-23.3)	46200 (13540)	44800 (13130)	43500 (12750)	42000 (12310)	40400 (11840)	38900 (11400)	37200 (10900)		
	-15 (-26.1)	41300 (12100)	40100 (11750)	38900 (11400)	37500 (10990)	36100 (10580)	34800 (10200)	33400 (9790)		
	-20 (-28.9)	36600 (10730)	35600 (10430)	34400 (10080)	33400 (9790)	32100 (9410)	31000 (9090)	29700 (8700)		
	-25 (-31.7)	32300 (9470)	31400 (9200)	30500 (8940)	29400 (8620)	28500 (8350)	27400 (8030)	26400 (7740)		
	-30 (-34.4)	28200 (8260)	27500 (8060)	26700 (7820)	25800 (7560)	25000 (7330)	24200 (7090)	23200 (6800)		
	-35 (-37.2)	24500 (7180)	23800 (6980)	23100 (6770)	22400 (6560)	21700 (6360)	21000 (6150)	20400 (5980)		
-40 (-40.0)	21000 (6150)	20400 (5980)	19700 (5770)	19200 (5630)	18700 (5480)	18200 (5330)	17600 (5160)			
TEZA130L8 Compressor Model ZF41K5E	-5 (-20.6)	64800 (18990)	63000 (18460)	61100 (17910)	59200 (17350)	57200 (16760)	55000 (16120)	52900 (15500)		
	-10 (-23.3)	58200 (17060)	56600 (16590)	54900 (16090)	53200 (15590)	51500 (15090)	49600 (14540)	47600 (13950)		
	-15 (-26.1)	52100 (15270)	50600 (14830)	49100 (14390)	47700 (13980)	46000 (13480)	44400 (13010)	42700 (12510)		
	-20 (-28.9)	46300 (13570)	45000 (13190)	43800 (12840)	42400 (12430)	41100 (12050)	39600 (11610)	38100 (11170)		
	-25 (-31.7)	41000 (12020)	39900 (11690)	38700 (11340)	37600 (11020)	36300 (10640)	35200 (10320)	33900 (9940)		
	-30 (-34.4)	35900 (10520)	35000 (10260)	34000 (9960)	33000 (9670)	32000 (9380)	31000 (9090)	29900 (8760)		
	-35 (-37.2)	31300 (9170)	30500 (8940)	29600 (8670)	28800 (8440)	27900 (8180)	27100 (7940)	26100 (7650)		
-40 (-40.0)	26900 (7880)	26100 (7650)	25500 (7470)	24800 (7270)	24000 (7030)	23400 (6860)	22700 (6650)			
TEZA150L8 Compressor Model ZF49K5E	-5 (-20.6)	77200 (22630)	74900 (21950)	72600 (21280)	70100 (20540)	67600 (19810)	65000 (19050)	62300 (18260)		
	-10 (-23.3)	69200 (20280)	67200 (19690)	65100 (19080)	63000 (18460)	60700 (17790)	58400 (17120)	56000 (16410)		
	-15 (-26.1)	61700 (18080)	60000 (17580)	58200 (17060)	56200 (16470)	54200 (15880)	52200 (15300)	50000 (14650)		
	-20 (-28.9)	54800 (16060)	53200 (15590)	51700 (15150)	50000 (14650)	48200 (14130)	46400 (13600)	44500 (13040)		
	-25 (-31.7)	48400 (14180)	47000 (13770)	45600 (13360)	44100 (12920)	42600 (12480)	41100 (12050)	39500 (11580)		
	-30 (-34.4)	42500 (12460)	41300 (12100)	40000 (11720)	38700 (11340)	37500 (10990)	36200 (10610)	34900 (10230)		
	-35 (-37.2)	37100 (10870)	36000 (10550)	35000 (10260)	33900 (9940)	32900 (9640)	31700 (9290)	30700 (9000)		
-40 (-40.0)	32000 (9380)	31200 (9140)	30300 (8880)	29400 (8620)	28600 (8380)	27700 (8120)	26900 (7880)			

NOTES:

- Above ratings are based on mean temperature.
- To convert to dew point ratings, use 0.95 multiplier.
- Shaded Area Restriction: 20°F Max Superheat
- For R449A, use R448A data.

CAPACITY DATA - R407C HIGH / MEDIUM TEMPERATURE

MODEL TEZA	SATURATED SUCTION TEMP. ° F ° C	CAPACITY BTU/H (WATTS) R407C AMBIENT TEMPERATURE ° F (°C)							
		80 (26.6)	85 (29.4)	90 (32.2)	95 (35.0)	100 (37.8)	105 (40.6)	110 (43.3)	
TEZA010H8 Compressor Model ZS09KAE	45 (7.2)	18200 (5330)	17500 (5130)	17100 (5010)	16600 (4860)	16100 (4720)	15500 (4540)	15000 (4400)	
	40 (4.4)	16600 (4860)	16200 (4750)	15600 (4570)	15200 (4450)	14700 (4310)	14300 (4190)	13900 (4070)	
	35 (1.7)	15100 (4430)	14700 (4310)	14300 (4190)	13900 (4070)	13500 (3960)	13100 (3840)	12700 (3720)	
	30 (-1.1)	13800 (4040)	13400 (3930)	13000 (3810)	12700 (3720)	12300 (3600)	12000 (3520)	11600 (3400)	
	25 (-3.9)	12500 (3660)	12200 (3580)	11800 (3460)	11400 (3340)	11100 (3250)	10800 (3170)	10500 (3080)	
	20 (-6.7)	11200 (3280)	10900 (3190)	10600 (3110)	10400 (3050)	10100 (2960)	9770 (2860)	9450 (2770)	
	15 (-9.4)	9980 (2920)	9770 (2860)	9560 (2800)	9240 (2710)	9030 (2650)	8720 (2560)	8400 (2460)	
10 (-12.2)	8930 (2620)	8720 (2560)	8510 (2490)	8190 (2400)	7980 (2340)	7770 (2280)	7460 (2190)		
TEZA011H8 Compressor Model ZS11KAE	45 (7.2)	21200 (6210)	20600 (6040)	20000 (5860)	19400 (5690)	18800 (5510)	18200 (5330)	17500 (5130)	
	40 (4.4)	19400 (5690)	18900 (5540)	18400 (5390)	17900 (5250)	17300 (5070)	16700 (4890)	16200 (4750)	
	35 (1.7)	17700 (5190)	17300 (5070)	16800 (4920)	16400 (4810)	15900 (4660)	15300 (4480)	14800 (4340)	
	30 (-1.1)	16200 (4750)	15800 (4630)	15300 (4480)	14900 (4370)	14500 (4250)	14000 (4100)	13500 (3960)	
	25 (-3.9)	14700 (4310)	14300 (4190)	14000 (4100)	13500 (3960)	13100 (3840)	12700 (3720)	12300 (3600)	
	20 (-6.7)	13200 (3870)	12900 (3780)	12500 (3660)	12200 (3580)	11900 (3490)	11400 (3340)	11100 (3250)	
	15 (-9.4)	11900 (3490)	11600 (3400)	11200 (3280)	10900 (3190)	10600 (3110)	10300 (3020)	9980 (2920)	
10 (-12.2)	10500 (3080)	10300 (3020)	9980 (2920)	9770 (2860)	9450 (2770)	9140 (2680)	8820 (2580)		
TEZA015H8 Compressor Model ZS13KAE	45 (7.2)	23800 (6980)	23100 (6770)	22400 (6560)	21700 (6360)	21000 (6150)	20400 (5980)	19600 (5740)	
	40 (4.4)	21800 (6390)	21200 (6210)	20600 (6040)	20100 (5890)	19400 (5690)	18800 (5510)	18200 (5330)	
	35 (1.7)	20100 (5890)	19400 (5690)	18900 (5540)	18400 (5390)	17900 (5250)	17200 (5040)	16700 (4890)	
	30 (-1.1)	18300 (5360)	17700 (5190)	17200 (5040)	16800 (4920)	16300 (4780)	15800 (4630)	15200 (4450)	
	25 (-3.9)	16600 (4860)	16200 (4750)	15600 (4570)	15200 (4450)	14800 (4340)	14300 (4190)	13900 (4070)	
	20 (-6.7)	14900 (4370)	14600 (4280)	14200 (4160)	13800 (4040)	13300 (3900)	12900 (3780)	12500 (3660)	
	15 (-9.4)	13400 (3930)	13000 (3810)	12700 (3720)	12400 (3630)	12000 (3520)	11600 (3400)	11200 (3280)	
10 (-12.2)	12000 (3520)	11700 (3430)	11300 (3310)	11000 (3220)	10600 (3110)	10300 (3020)	9870 (2890)		
TEZA020H8 Compressor Model ZB15KCE	45 (7.2)	28000 (8210)	27200 (7970)	26400 (7740)	25500 (7470)	24600 (7210)	23600 (6920)	22700 (6650)	
	40 (4.4)	25700 (7530)	25000 (7330)	24200 (7090)	23300 (6830)	22500 (6590)	21600 (6330)	20700 (6070)	
	35 (1.7)	23500 (6890)	22800 (6680)	22100 (6480)	21300 (6240)	20500 (6010)	19600 (5740)	18800 (5510)	
	30 (-1.1)	21400 (6270)	20800 (6100)	20100 (5890)	19300 (5660)	18600 (5450)	17900 (5250)	17000 (4980)	
	25 (-3.9)	19400 (5690)	18800 (5510)	18200 (5330)	17500 (5130)	16800 (4920)	16100 (4720)	15300 (4480)	
	20 (-6.7)	17500 (5130)	17000 (4980)	16400 (4810)	15800 (4630)	15100 (4430)	14500 (4250)	13800 (4040)	
	15 (-9.4)	15900 (4660)	15300 (4480)	14700 (4310)	14200 (4160)	13500 (3960)	12900 (3780)	12300 (3600)	
10 (-12.2)	14200 (4160)	13800 (4040)	13200 (3870)	12700 (3720)	12100 (3550)	11600 (3400)	10900 (3190)		
025H8 Compressor Model ZB19KCE	45 (7.2)	31800 (9320)	30900 (9060)	29800 (8730)	28800 (8440)	27600 (8090)	26600 (7800)	25300 (7410)	
	40 (4.4)	29000 (8500)	28000 (8210)	27200 (7970)	26100 (7650)	25200 (7390)	24200 (7090)	23000 (6740)	
	35 (1.7)	26300 (7710)	25400 (7440)	24600 (7210)	23700 (6950)	22800 (6680)	21800 (6390)	20900 (6130)	
	30 (-1.1)	23600 (6920)	22900 (6710)	22200 (6510)	21300 (6240)	20600 (6040)	19700 (5770)	18800 (5510)	
	25 (-3.9)	21200 (6210)	20600 (6040)	19800 (5800)	19100 (5600)	18500 (5420)	17700 (5190)	16900 (4950)	
	20 (-6.7)	19000 (5570)	18400 (5390)	17700 (5190)	17100 (5010)	16500 (4840)	15900 (4660)	15100 (4430)	
	15 (-9.4)	16900 (4950)	16400 (4810)	15800 (4630)	15200 (4450)	14700 (4310)	14100 (4130)	13500 (3960)	
10 (-12.2)	15000 (4400)	14500 (4250)	14000 (4100)	13500 (3960)	13000 (3810)	12600 (3690)	12100 (3550)		
TEZA030H8 Compressor Model ZB21KCE	45 (7.2)	42000 (12310)	40700 (11930)	39500 (11580)	38100 (11170)	36800 (10780)	35400 (10370)	33900 (9940)	
	40 (4.4)	38200 (11200)	37100 (10870)	35900 (10520)	34800 (10200)	33500 (9820)	32200 (9440)	31000 (9090)	
	35 (1.7)	34800 (10200)	33700 (9880)	32700 (9580)	31500 (9230)	30500 (8940)	29300 (8590)	28100 (8240)	
	30 (-1.1)	31500 (9230)	30600 (8970)	29500 (8650)	28600 (8380)	27500 (8060)	26500 (7770)	25400 (7440)	
	25 (-3.9)	28400 (8320)	27500 (8060)	26700 (7820)	25700 (7530)	24900 (7300)	23900 (7000)	23000 (6740)	
	20 (-6.7)	25500 (7470)	24800 (7270)	23900 (7000)	23200 (6800)	22400 (6560)	21500 (6300)	20700 (6070)	
	15 (-9.4)	22900 (6710)	22200 (6510)	21500 (6300)	20800 (6100)	20100 (5890)	19300 (5660)	18500 (5420)	
10 (-12.2)	20400 (5980)	19700 (5770)	19100 (5600)	18500 (5420)	17900 (5250)	17200 (5040)	16500 (4840)		
035H8 Compressor Model ZB26KCE	45 (7.2)	48500 (14210)	47100 (13800)	45800 (13420)	44200 (12950)	42700 (12510)	41100 (12050)	39400 (11550)	
	40 (4.4)	44700 (13100)	43400 (12720)	42000 (12310)	40600 (11900)	39200 (11490)	37600 (11020)	36000 (10550)	
	35 (1.7)	40800 (11960)	39600 (11610)	38300 (11220)	37000 (10840)	35600 (10430)	34100 (9990)	32700 (9580)	
	30 (-1.1)	37100 (10870)	35900 (10520)	34700 (10170)	33400 (9790)	32100 (9410)	30800 (9030)	29400 (8620)	
	25 (-3.9)	33400 (9790)	32300 (9470)	31200 (9140)	30000 (8790)	28900 (8470)	27600 (8090)	26300 (7710)	
	20 (-6.7)	30000 (8790)	29100 (8530)	28000 (8210)	27000 (7910)	25800 (7560)	24700 (7240)	23500 (6890)	
	15 (-9.4)	27000 (7910)	26100 (7650)	25200 (7390)	24300 (7120)	23200 (6800)	22200 (6510)	21100 (6180)	
10 (-12.2)	24500 (7180)	23600 (6920)	22800 (6680)	21900 (6420)	21000 (6150)	20200 (5920)	19100 (5600)		
TEZA040H8 Compressor Model ZB30KCE	45 (7.2)	54000 (15830)	52400 (15360)	50800 (14890)	49200 (14420)	47600 (13950)	45900 (13450)	44100 (12920)	
	40 (4.4)	49400 (14480)	47900 (14040)	46400 (13600)	44900 (13160)	43500 (12750)	41900 (12280)	40200 (11780)	
	35 (1.7)	44900 (13160)	43600 (12780)	42300 (12400)	41000 (12020)	39500 (11580)	38000 (11140)	36500 (10700)	
	30 (-1.1)	40700 (11930)	39600 (11610)	38300 (11220)	37100 (10870)	35800 (10490)	34400 (10080)	33200 (9730)	
	25 (-3.9)	36900 (10810)	35700 (10460)	34700 (10170)	33500 (9820)	32300 (9470)	31100 (9110)	29900 (8760)	
	20 (-6.7)	33200 (9730)	32200 (9440)	31200 (9140)	30100 (8820)	29100 (8530)	27900 (8180)	26900 (7880)	
	15 (-9.4)	29800 (8730)	28900 (8470)	27900 (8180)	27000 (7910)	26000 (7620)	25000 (7330)	24000 (7030)	
10 (-12.2)	26700 (7820)	25800 (7560)	25000 (7330)	24000 (7030)	23200 (6800)	22300 (6540)	21400 (6270)		

NOTES:

- Above ratings are based on mean temperature.
- To convert to dew point ratings, use 0.95 multiplier.

table continues on next page >>>

CAPACITY DATA - R407C

HIGH / MEDIUM TEMPERATURE (cont'd)

MODEL	SATURATED SUCTION TEMP. ° F ° C	CAPACITY BTU/H (WATTS) R407C AMBIENT TEMPERATURE °F (°C)									
		80 (26.6)	85 (29.4)	90 (32.2)	95 (35.0)	100 (37.8)	105 (40.6)	110 (43.3)			
TEZA050H8 Compressor Model ZB38KCE	45 (7.2)	68500 (20080)	66700 (19550)	64800 (18990)	62900 (18430)	60800 (17820)	58600 (17170)	56400 (16530)			
	40 (4.4)	62900 (18430)	61200 (17940)	59400 (17410)	57500 (16850)	55700 (16320)	53700 (15740)	51600 (15120)			
	35 (1.7)	57400 (16820)	55900 (16380)	54300 (15910)	52500 (15390)	50700 (14860)	48900 (14330)	47000 (13770)			
	30 (-1.1)	52300 (15330)	50800 (14890)	49400 (14480)	47800 (14010)	46100 (13510)	44400 (13010)	42700 (12510)			
	25 (-3.9)	47500 (13920)	46100 (13510)	44700 (13100)	43300 (12690)	41800 (12250)	40200 (11780)	38600 (11310)			
	20 (-6.7)	42800 (12540)	41700 (12220)	40300 (11810)	39100 (11460)	37700 (11050)	36200 (10610)	34900 (10230)			
	15 (-9.4)	38500 (11280)	37500 (10990)	36300 (10640)	35100 (10290)	33900 (9940)	32700 (9580)	31400 (9200)			
	10 (-12.2)	34500 (10110)	33600 (9850)	32600 (9550)	31500 (9230)	30300 (8880)	29300 (8590)	28100 (8240)			
TEZA060H8 Compressor Model ZB45KCE	45 (7.2)	80900 (23710)	78800 (23090)	76500 (22420)	74300 (21780)	72000 (21100)	69700 (20430)	67200 (19690)			
	40 (4.4)	73800 (21630)	71900 (21070)	69900 (20490)	67800 (19870)	65700 (19250)	63500 (18610)	61300 (17970)			
	35 (1.7)	67200 (19690)	65400 (19170)	63600 (18640)	61700 (18080)	59900 (17550)	57900 (16970)	55800 (16350)			
	30 (-1.1)	61100 (17910)	59400 (17410)	57900 (16970)	56100 (16440)	54300 (15910)	52400 (15360)	50500 (14800)			
	25 (-3.9)	55300 (16210)	53900 (15800)	52400 (15360)	50700 (14860)	49100 (14390)	47400 (13890)	45600 (13360)			
	20 (-6.7)	50000 (14650)	48600 (14240)	47300 (13860)	45800 (13420)	44200 (12950)	42600 (12480)	41000 (12020)			
	15 (-9.4)	45000 (13190)	43800 (12840)	42400 (12430)	41100 (12050)	39600 (11610)	38100 (11170)	36600 (10730)			
	10 (-12.2)	40400 (11840)	39200 (11490)	37900 (11110)	36600 (10730)	35300 (10350)	33900 (9940)	32400 (9500)			
TEZA061H8 Compressor Model ZB48KCE	45 (7.2)	96800 (28370)	94000 (27550)	91000 (26670)	88000 (25790)	84900 (24880)	81800 (23970)	78400 (22980)			
	40 (4.4)	87800 (25730)	85200 (24970)	82500 (24180)	79700 (23360)	76900 (22540)	73900 (21660)	70900 (20780)			
	35 (1.7)	79300 (23240)	76900 (22540)	74400 (21800)	71800 (21040)	69200 (20280)	66500 (19490)	63700 (18670)			
	30 (-1.1)	71200 (20870)	69000 (20220)	66800 (19580)	64400 (18870)	62000 (18170)	59400 (17410)	56800 (16650)			
	25 (-3.9)	63600 (18640)	61600 (18050)	59500 (17440)	57300 (16790)	55100 (16150)	52800 (15470)	50400 (14770)			
	20 (-6.7)	56500 (16560)	54600 (16000)	52700 (15440)	50700 (14860)	48600 (14240)	46500 (13630)	44200 (12950)			
	15 (-9.4)	49800 (14590)	48100 (14100)	46300 (13570)	44400 (13010)	42500 (12460)	40500 (11870)	38400 (11250)			
	10 (-12.2)	43600 (12780)	42000 (12310)	40300 (11810)	38600 (11310)	36800 (10780)	34900 (10230)	33000 (9670)			
070H8 Compressor Model ZB58K5E	45 (7.2)	104000 (30480)	101100 (29630)	98000 (28720)	94800 (27780)	91500 (26820)	87900 (25760)	-			
	40 (4.4)	95200 (27900)	92500 (27110)	89700 (26290)	86600 (25380)	83500 (24470)	80100 (23470)	-			
	35 (1.7)	86900 (25470)	84400 (24740)	81700 (23940)	78900 (23120)	75900 (22240)	72800 (21340)	69500 (20370)			
	30 (-1.1)	79100 (23180)	76800 (22510)	74200 (21750)	71500 (20950)	68800 (20160)	65700 (19250)	62600 (18350)			
	25 (-3.9)	71700 (21010)	69500 (20370)	67100 (19660)	64600 (18930)	62000 (18170)	59100 (17320)	56200 (16470)			
	20 (-6.7)	64700 (18960)	62700 (18380)	60500 (17730)	58100 (17030)	55500 (16270)	52800 (15470)	50100 (14680)			
	15 (-9.4)	58300 (17090)	56300 (16500)	54200 (15880)	51900 (15210)	49600 (14540)	46900 (13740)	44200 (12950)			
	10 (-12.2)	52200 (15300)	50300 (14740)	48300 (14160)	46200 (13540)	43900 (12870)	41400 (12130)	38700 (11340)			
TEZA076H8 Compressor Model ZB66K5E	45 (7.2)	122900 (36020)	119700 (35080)	116400 (34110)	113200 (33180)	109700 (32150)	106200 (31120)	102600 (30070)			
	40 (4.4)	112000 (32820)	109100 (31970)	106200 (31120)	103000 (30190)	99900 (29280)	96600 (28310)	93200 (27310)			
	35 (1.7)	101900 (29860)	99200 (29070)	96400 (28250)	93600 (27430)	90600 (26550)	87600 (25670)	84500 (24760)			
	30 (-1.1)	92400 (27080)	89900 (26350)	87400 (25610)	84700 (24820)	82000 (24030)	79200 (23210)	76300 (22360)			
	25 (-3.9)	83500 (24470)	81300 (23830)	78900 (23120)	76400 (22390)	74000 (21690)	71400 (20930)	68800 (20160)			
	20 (-6.7)	75300 (22070)	73200 (21450)	71100 (20840)	68800 (20160)	66500 (19490)	64200 (18820)	61700 (18080)			
	15 (-9.4)	67700 (19840)	65700 (19250)	63700 (18670)	61700 (18080)	59500 (17440)	57400 (16820)	55100 (16150)			
	10 (-12.2)	60700 (17790)	58900 (17260)	57000 (16700)	55100 (16150)	53100 (15560)	51100 (14980)	49100 (14390)			
TEZA085H8 Compressor Model ZB76K5E	45 (7.2)	140800 (41260)	136900 (40120)	133000 (38980)	129000 (37810)	125000 (36630)	120800 (35400)	116400 (34110)			
	40 (4.4)	128800 (37750)	125300 (36720)	121700 (35670)	118000 (34580)	114200 (33470)	110400 (32350)	106500 (31210)			
	35 (1.7)	117500 (34440)	114200 (33470)	111000 (32530)	107600 (31530)	104200 (30540)	100600 (29480)	97000 (28430)			
	30 (-1.1)	106800 (31300)	103800 (30420)	100900 (29570)	97800 (28660)	94700 (27750)	91500 (26820)	88200 (25850)			
	25 (-3.9)	96800 (28370)	94200 (27610)	91500 (26820)	88600 (25970)	85800 (25150)	83000 (24320)	80000 (23450)			
	20 (-6.7)	87600 (25670)	85100 (24940)	82600 (24210)	80100 (23470)	77500 (22710)	74900 (21950)	72200 (21160)			
	15 (-9.4)	78900 (23120)	76700 (22480)	74400 (21800)	72100 (21130)	69800 (20460)	67500 (19780)	65100 (19080)			
	10 (-12.2)	70900 (20780)	68900 (20190)	66900 (19610)	64900 (19020)	62800 (18400)	60700 (17790)	58500 (17140)			
TEZA110H8 Compressor Model ZB95K5E	45 (7.2)	179200 (52520)	174200 (51050)	168900 (49500)	163700 (47980)	158200 (46360)	152600 (44720)	146900 (43050)			
	40 (4.4)	163100 (47800)	158400 (46420)	153600 (45020)	148600 (43550)	143500 (42060)	138300 (40530)	133000 (38980)			
	35 (1.7)	147900 (43350)	143600 (42080)	139100 (40770)	134500 (39420)	129800 (38040)	125000 (36630)	120000 (35170)			
	30 (-1.1)	133800 (39210)	129800 (38040)	125600 (36810)	121400 (35580)	117000 (34290)	112500 (32970)	107900 (31620)			
	25 (-3.9)	120500 (35310)	116900 (34260)	113000 (33120)	109100 (31970)	105000 (30770)	100800 (29540)	96600 (28310)			
	20 (-6.7)	108300 (31740)	104800 (30710)	101300 (29690)	97700 (28630)	93900 (27520)	90100 (26410)	86100 (25230)			
	15 (-9.4)	96900 (28400)	93800 (27490)	90400 (26490)	87000 (25500)	83600 (24500)	80000 (23450)	76400 (22390)			
	10 (-12.2)	86400 (25320)	83500 (24470)	80400 (23560)	77300 (22650)	74000 (21690)	70800 (20750)	67400 (19750)			
TEZA150H8 Compressor Model ZB114K5E	45 (7.2)	203700 (59700)	198000 (58030)	192200 (56330)	186100 (54540)	179900 (52720)	173600 (50880)	167200 (49000)			
	40 (4.4)	186100 (54540)	180800 (52990)	175400 (51400)	169800 (49760)	164100 (48090)	158200 (46360)	152300 (44630)			
	35 (1.7)	169500 (49680)	164500 (48210)	159600 (46770)	154500 (45280)	149100 (43700)	143700 (42110)	138200 (40500)			
	30 (-1.1)	153800 (45070)	149300 (43760)	144700 (42410)	140000 (41030)	135100 (39590)	130200 (38160)	125100 (36660)			
	25 (-3.9)	139100 (40770)	135000 (39560)	130800 (38330)	126500 (37070)	122000 (35750)	117400 (34410)	112800 (33060)			
	20 (-6.7)	125500 (36780)	121700 (35670)	117800 (34520)	113800 (33350)	109700 (32150)	105500 (30920)	101300 (29690)			
	15 (-9.4)	112800 (33060)	109300 (32030)	105700 (30980)	102200 (29950)	98400 (28840)	94500 (27700)	90600 (26550)			
	10 (-12.2)	101000 (29600)	97900 (28690)	94600 (27720)	91200 (26730)	87800 (25730)	84200 (24680)	80600 (23620)			

NOTES:

- Above ratings are based on mean temperature.
- To convert to dew point ratings, use 0.95 multiplier.

CAPACITY DATA - R404A R507
MEDIUM TEMPERATURE

MODEL	SAT. SUCT. TEMP.		CAPACITY BTU/H (WATTS) R404A R507								AMBIENT TEMPERATURE °F (°C)	
	° F	° C	80 (26.6)	85 (29.4)	90 (32.2)	95 (35)	100 (37.8)	105 (40.6)	110 (43.3)			
TEZA010H8 Compressor Model ZS09KAE	40 (4.4)		17900 (5250)	17300 (5070)	16600 (4860)	16000 (4690)	15300 (4480)	14600 (4280)	13900 (4070)			
	35 (1.7)		16300 (4780)	15700 (4600)	15100 (4430)	14500 (4250)	13900 (4070)	13300 (3900)	12700 (3720)			
	30 (-1.1)		14800 (4340)	14300 (4190)	13800 (4040)	13200 (3870)	12700 (3720)	12100 (3550)	11500 (3370)			
	25 (-3.9)		13500 (3960)	13000 (3810)	12500 (3660)	12000 (3520)	11500 (3370)	11000 (3220)	10500 (3080)			
	20 (-6.7)		12200 (3580)	11800 (3460)	11400 (3340)	10900 (3190)	10500 (3080)	10000 (2930)	9530 (2790)			
	15 (-9.4)		11100 (3250)	10700 (3140)	10300 (3020)	9920 (2910)	9510 (2790)	9090 (2660)	8660 (2540)	8100 (2420)		
	10 (-12.2)		10000 (2930)	9700 (2840)	9360 (2740)	9000 (2640)	8630 (2530)	8260 (2420)	7880 (2310)	7500 (2200)		
	5 (-15.0)		9080 (2660)	8770 (2570)	8460 (2480)	8150 (2390)	7820 (2290)	7490 (2200)	7140 (2090)	6800 (1980)		
	0 (-17.8)		8180 (2400)	7910 (2320)	7620 (2230)	7350 (2150)	7070 (2070)	6770 (1980)	6460 (1890)	6150 (1800)		
	-5 (-20.6)		7330 (2150)	7090 (2080)	6850 (2010)	6600 (1930)	6350 (1860)	6090 (1780)	5820 (1710)	5550 (1640)		
-10 (-23.3)		6520 (1910)	6310 (1850)	6100 (1790)	5880 (1720)	5660 (1660)	5430 (1590)	5190 (1520)				
TEZA011H8 Compressor Model ZS11KAE	40 (4.4)		21100 (6180)	20300 (5950)	19600 (5740)	18800 (5510)	18000 (5280)	17200 (5040)	16300 (4780)			
	35 (1.7)		19200 (5630)	18500 (5420)	17800 (5220)	17100 (5010)	16400 (4810)	15600 (4570)	14900 (4370)			
	30 (-1.1)		17500 (5130)	16900 (4950)	16300 (4780)	15600 (4570)	14900 (4370)	14300 (4190)	13600 (3990)			
	25 (-3.9)		16000 (4690)	15400 (4510)	14800 (4340)	14200 (4160)	13600 (3990)	13000 (3810)	12300 (3600)			
	20 (-6.7)		14500 (4250)	14000 (4100)	13500 (3960)	12900 (3780)	12400 (3630)	11800 (3460)	11300 (3310)			
	15 (-9.4)		13200 (3870)	12700 (3720)	12300 (3600)	11800 (3460)	11300 (3310)	10800 (3170)	10300 (3020)			
	10 (-12.2)		12000 (3520)	11600 (3400)	11100 (3250)	10700 (3140)	10300 (3020)	9810 (2880)	9330 (2730)			
	5 (-15.0)		10800 (3170)	10500 (3080)	10100 (2960)	9710 (2850)	9310 (2730)	8900 (2610)	8480 (2490)			
	0 (-17.8)		9780 (2870)	9450 (2770)	9110 (2670)	8780 (2570)	8420 (2470)	8060 (2360)	7690 (2250)			
	-5 (-20.6)		8780 (2570)	8480 (2490)	8190 (2400)	7890 (2310)	7580 (2220)	7270 (2130)	6930 (2030)			
-10 (-23.3)		7820 (2290)	7560 (2220)	7310 (2140)	7050 (2070)	6770 (1980)	6490 (1900)	6180 (1810)				
TEZA015H8 Compressor Model ZS13KAE	40 (4.4)		23500 (6890)	22600 (6620)	21700 (6360)	20800 (6100)	19900 (5830)	19000 (5570)	18100 (5300)			
	35 (1.7)		21400 (6270)	20600 (6040)	19800 (5800)	19000 (5570)	18200 (5330)	17300 (5070)	16500 (4840)			
	30 (-1.1)		19600 (5740)	18800 (5510)	18100 (5300)	17400 (5100)	16600 (4860)	15800 (4630)	15000 (4400)			
	25 (-3.9)		17900 (5250)	17200 (5040)	16500 (4840)	15800 (4630)	15200 (4450)	14400 (4220)	13700 (4020)			
	20 (-6.7)		16300 (4780)	15700 (4600)	15100 (4430)	14400 (4220)	13800 (4040)	13200 (3870)	12500 (3660)			
	15 (-9.4)		14800 (4340)	14300 (4190)	13700 (4020)	13200 (3870)	12600 (3690)	12000 (3520)	11400 (3340)			
	10 (-12.2)		13400 (3930)	13000 (3810)	12500 (3660)	12000 (3520)	11500 (3370)	11000 (3220)	10400 (3050)			
	5 (-15.0)		12200 (3580)	11700 (3430)	11300 (3310)	10900 (3190)	10400 (3050)	9960 (2920)	9470 (2780)			
	0 (-17.8)		11000 (3220)	10600 (3110)	10200 (2990)	9850 (2890)	9450 (2770)	9030 (2650)	8590 (2520)			
	-5 (-20.6)		9880 (2900)	9540 (2800)	9210 (2700)	8870 (2600)	8520 (2500)	8150 (2390)	7760 (2270)			
-10 (-23.3)		8810 (2580)	8520 (2500)	8220 (2410)	7930 (2320)	7610 (2230)	7290 (2140)	6940 (2030)				
TEZA020H8 Compressor Model ZB15KCE	40 (4.4)		26300 (7710)	25200 (7390)	24200 (7090)	23100 (6770)	22000 (6450)	20900 (6130)	19700 (5770)			
	35 (1.7)		24300 (7120)	23400 (6860)	22400 (6660)	21400 (6270)	20300 (5950)	19300 (5660)	18200 (5330)			
	30 (-1.1)		22500 (6590)	21600 (6330)	20600 (6040)	19700 (5770)	18800 (5510)	17800 (5220)	16800 (4920)			
	25 (-3.9)		20700 (6070)	19800 (5800)	19000 (5570)	18200 (5330)	17300 (5070)	16400 (4810)	15500 (4540)			
	20 (-6.7)		19000 (5570)	18200 (5330)	17400 (5100)	16700 (4890)	15900 (4660)	15000 (4400)	14200 (4160)			
	15 (-9.4)		17300 (5070)	16700 (4890)	15900 (4660)	15200 (4450)	14500 (4250)	13700 (4020)	13000 (3810)			
	10 (-12.2)		15800 (4630)	15200 (4450)	14500 (4250)	13900 (4070)	13200 (3870)	12500 (3660)	11800 (3460)			
	5 (-15.0)		14300 (4190)	13800 (4040)	13200 (3870)	12600 (3690)	12000 (3520)	11400 (3340)	10700 (3140)			
	0 (-17.8)		13000 (3810)	12500 (3660)	11900 (3490)	11400 (3340)	10800 (3170)	10300 (3020)	9700 (2840)			
	-5 (-20.6)		11700 (3430)	11200 (3280)	10800 (3170)	10300 (3020)	9800 (2870)	9300 (2730)	8700 (2550)			
-10 (-23.3)		10500 (3080)	10100 (2960)	9600 (2810)	9200 (2700)	8800 (2580)	8300 (2430)	7800 (2290)				
TEZA025H8 Compressor Model ZB19KCE	40 (4.4)		32800 (9610)	31500 (9230)	30100 (8820)	28800 (8440)	27400 (8030)	26000 (7620)	24600 (7210)			
	35 (1.7)		30400 (8910)	29100 (8530)	27900 (8180)	26700 (7820)	25400 (7440)	24100 (7060)	22800 (6680)			
	30 (-1.1)		28000 (8210)	26900 (7880)	25800 (7560)	24600 (7210)	23400 (6860)	22200 (6510)	21000 (6150)			
	25 (-3.9)		25800 (7560)	24800 (7270)	23700 (6950)	22700 (6650)	21600 (6330)	20500 (6010)	19300 (5660)			
	20 (-6.7)		23700 (6950)	22700 (6650)	21800 (6390)	20800 (6100)	19800 (5800)	18800 (5510)	17700 (5190)			
	15 (-9.4)		21600 (6330)	20800 (6100)	19900 (5830)	19000 (5570)	18100 (5300)	17200 (5040)	16200 (4750)			
	10 (-12.2)		19700 (5770)	18900 (5540)	18100 (5300)	17300 (5070)	16500 (4840)	15600 (4570)	14800 (4340)			
	5 (-15.0)		17900 (5250)	17200 (5040)	16500 (4840)	15700 (4600)	15000 (4400)	14200 (4160)	13400 (3930)			
	0 (-17.8)		16200 (4750)	15600 (4570)	14900 (4370)	14200 (4160)	13500 (3960)	12800 (3750)	12100 (3550)			
	-5 (-20.6)		14600 (4280)	14000 (4100)	13400 (3930)	12800 (3750)	12200 (3580)	11600 (3400)	10900 (3190)			
-10 (-23.3)		13100 (3840)	12600 (3690)	12000 (3520)	11500 (3370)	10900 (3190)	10300 (3020)	9700 (2840)				

table continues on next page >>>

CAPACITY DATA - R404A R507
MEDIUM TEMPERATURE (cont'd)

MODEL	SAT. SUCT. TEMP.		CAPACITY BTU/H (WATTS) R404A R507 AMBIENT TEMPERATURE °F (°C)												
	° F	° C	80 (26.6)	85 (29.4)	90 (32.2)	95 (35)	100 (37.8)	105 (40.6)	110 (43.3)						
TEZA030H8 Compressor Model ZB21KCE	40 (4.4)		41200 (12070)	39700 (11630)	38100 (11170)	36400 (10670)	34800 (10200)	33100 (9700)	31400 (9200)						
	35 (1.7)		38100 (11166)	36600 (10727)	35100 (10287)	33600 (9848)	32100 (9408)	30600 (8968)	29000 (8499)						
	30 (-1.1)		35000 (10258)	33700 (9877)	32300 (9467)	30900 (9056)	29500 (8646)	28100 (8236)	26700 (7825)						
	25 (-3.9)		32100 (9408)	30900 (9056)	29700 (8705)	28400 (8324)	27100 (7943)	25800 (7562)	24400 (7151)						
	20 (-6.7)		29400 (8617)	28300 (8294)	27100 (7943)	26000 (7620)	24800 (7268)	23600 (6917)	22300 (6536)						
	15 (-9.4)		26800 (7855)	25800 (7562)	24700 (7239)	23700 (6946)	22600 (6624)	21500 (6301)	20400 (5979)						
	10 (-12.2)		24300 (7122)	23400 (6858)	22500 (6594)	21500 (6301)	20500 (6008)	19500 (5715)	18500 (5422)						
	5 (-15.0)		22000 (6448)	21200 (6213)	20400 (5979)	19500 (5715)	18600 (5451)	17700 (5188)	16700 (4894)						
	0 (-17.8)		19900 (5832)	19100 (5598)	18400 (5393)	17600 (5158)	16800 (4924)	15900 (4660)	15100 (4426)						
	-5 (-20.6)		17900 (5246)	17200 (5041)	16500 (4836)	15800 (4631)	15100 (4426)	14300 (4191)	13500 (3957)						
-10 (-23.3)		16000 (4689)	15400 (4513)	14800 (4338)	14100 (4132)	13500 (3957)	12800 (3751)	12100 (3546)							
TEZA035H8 Compressor Model ZB26KCE	40 (4.4)		47100 (13800)	45200 (13250)	43400 (12720)	41500 (12160)	39500 (11580)	37600 (11020)	35600 (10430)						
	35 (1.7)		43500 (12749)	41800 (12251)	40100 (11753)	38300 (11225)	36500 (10698)	34700 (10170)	32900 (9642)						
	30 (-1.1)		40100 (11753)	38500 (11284)	36900 (10815)	35300 (10346)	33700 (9877)	32000 (9379)	30300 (8880)						
	25 (-3.9)		36800 (10785)	35400 (10375)	33900 (9936)	32500 (9525)	30900 (9056)	29400 (8617)	27800 (8148)						
	20 (-6.7)		33700 (9877)	32400 (9496)	31100 (9115)	29700 (8705)	28300 (8294)	26900 (7884)	25500 (7474)						
	15 (-9.4)		30800 (9027)	29600 (8675)	28400 (8324)	27200 (7972)	25900 (7591)	24600 (7210)	23200 (6800)						
	10 (-12.2)		28000 (8206)	27000 (7913)	25800 (7562)	24700 (7239)	23600 (6917)	22400 (6565)	21100 (6184)						
	5 (-15.0)		25400 (7444)	24400 (7151)	23400 (6858)	22400 (6565)	21400 (6272)	20300 (5950)	19200 (5627)						
	0 (-17.8)		23000 (6741)	22100 (6477)	21200 (6213)	20200 (5920)	19300 (5657)	18300 (5363)	17300 (5070)						
	-5 (-20.6)		20700 (6067)	19900 (5832)	19100 (5598)	18200 (5334)	17400 (5100)	16500 (4836)	15500 (4543)						
-10 (-23.3)		18500 (5422)	17800 (5217)	17100 (5012)	16300 (4777)	15500 (4543)	14700 (4308)	13900 (4074)							
TEZA040H8 Compressor Model ZB30KCE	40 (4.4)		52800 (15470)	50600 (14830)	48500 (14210)	46300 (13570)	44000 (12900)	41700 (12220)	39400 (11550)						
	35 (1.7)		48800 (14302)	46900 (13746)	44800 (13130)	42800 (12544)	40700 (11928)	38600 (11313)	36400 (10668)						
	30 (-1.1)		45000 (13189)	43200 (12661)	41400 (12134)	39500 (11577)	37600 (11020)	35600 (10434)	33600 (9848)						
	25 (-3.9)		41400 (12134)	39700 (11635)	38000 (11137)	36300 (10639)	34500 (10111)	32700 (9584)	30900 (9056)						
	20 (-6.7)		37900 (11108)	36400 (10668)	34800 (10199)	33200 (9730)	31600 (9261)	29900 (8763)	28200 (8265)						
	15 (-9.4)		34600 (10141)	33200 (9730)	31700 (9291)	30300 (8880)	28800 (8441)	27300 (8001)	25700 (7532)						
	10 (-12.2)		31400 (9203)	30100 (8822)	28800 (8441)	27500 (8060)	26100 (7649)	24700 (7239)	23300 (6829)						
	5 (-15.0)		28400 (8324)	27200 (7972)	26000 (7620)	24800 (7268)	23600 (6917)	22300 (6536)	21000 (6155)						
	0 (-17.8)		25500 (7474)	24500 (7181)	23400 (6858)	22300 (6536)	21100 (6184)	20000 (5862)	18800 (5510)						
	-5 (-20.6)		22800 (6682)	21900 (6419)	20900 (6125)	19900 (5832)	18800 (5510)	17700 (5188)	16600 (4865)						
-10 (-23.3)		20300 (5950)	19400 (5686)	18500 (5422)	17600 (5158)	16600 (4865)	15600 (4572)	14600 (4279)							
TEZA050H8 Compressor Model ZB38KCE	40 (4.4)		65600 (19230)	63000 (18460)	60400 (17700)	57700 (16910)	55000 (16120)	52200 (15300)	49400 (14480)						
	35 (1.7)		60800 (17819)	58300 (17087)	55900 (16383)	53400 (15651)	50900 (14918)	48300 (14156)	45700 (13394)						
	30 (-1.1)		56100 (16442)	53800 (15768)	51600 (15123)	49300 (14449)	47000 (13775)	44600 (13072)	42200 (12368)						
	25 (-3.9)		51600 (15123)	49500 (14508)	47500 (13921)	45400 (13306)	43200 (12661)	41000 (12016)	38800 (11372)						
	20 (-6.7)		47300 (13863)	45400 (13306)	43500 (12749)	41600 (12192)	39600 (11606)	37600 (11020)	35500 (10404)						
	15 (-9.4)		43200 (12661)	41500 (12163)	39800 (11665)	38000 (11137)	36200 (10610)	34400 (10082)	32500 (9525)						
	10 (-12.2)		39400 (11547)	37900 (11108)	36300 (10639)	34700 (10170)	33000 (9672)	31300 (9174)	29600 (8675)						
	5 (-15.0)		35800 (10492)	34400 (10082)	32900 (9642)	31500 (9232)	30000 (8792)	28400 (8324)	26800 (7855)						
	0 (-17.8)		32300 (9467)	31100 (9115)	29800 (8734)	28500 (8353)	27100 (7943)	25700 (7532)	24200 (7093)						
	-5 (-20.6)		29100 (8529)	28000 (8206)	26800 (7855)	25600 (7503)	24400 (7151)	23100 (6770)	21800 (6389)						
-10 (-23.3)		26100 (7649)	25100 (7356)	24100 (7063)	23000 (6741)	21900 (6419)	20700 (6067)	19500 (5715)							
TEZA060H8 Compressor Model ZB45KCE	40 (4.4)		80000 (23450)	76900 (22540)	73800 (21630)	70600 (20690)	67400 (19750)	64100 (18790)	60700 (17790)						
	35 (1.7)		74000 (21688)	71100 (20838)	68200 (19988)	65200 (19109)	62200 (18230)	59200 (17351)	56100 (16442)						
	30 (-1.1)		68100 (19959)	65500 (19197)	62800 (18406)	60100 (17614)	57300 (16794)	54500 (15973)	51600 (15123)						
	25 (-3.9)		62600 (18347)	60200 (17644)	57700 (16911)	55200 (16178)	52700 (15445)	50100 (14683)	47400 (13892)						
	20 (-6.7)		57300 (16794)	55100 (16149)	52900 (15504)	50600 (14830)	48200 (14127)	45800 (13423)	43400 (12720)						
	15 (-9.4)		52300 (15328)	50300 (14742)	48300 (14156)	46200 (13540)	44000 (12896)	41800 (12251)	39600 (11606)						
	10 (-12.2)		47600 (13951)	45800 (13423)	43900 (12866)	42000 (12309)	40100 (11753)	38100 (11166)	36000 (10551)						
	5 (-15.0)		43100 (12632)	41500 (12163)	39800 (11665)	38100 (11166)	36300 (10639)	34500 (10111)	32600 (9555)						
	0 (-17.8)		39000 (11430)	37500 (10991)	36000 (10551)	34400 (10082)	32800 (9613)	31100 (9115)	29400 (8617)						
	-5 (-20.6)		35000 (10258)	33700 (9877)	32400 (9496)	30900 (9056)	29500 (8646)	28000 (8206)	26400 (7737)						
-10 (-23.3)		31400 (9203)	30200 (8851)	29000 (8499)	27700 (8118)	26400 (7737)	25100 (7356)	23600 (6917)							

table continues on next page >>>

CAPACITY DATA - R404A R507
MEDIUM TEMPERATURE (cont'd)

MODEL	SAT. SUCT. TEMP.		CAPACITY BTU/H (WATTS) R404A R507									AMBIENT TEMPERATURE °F (°C)	
	° F	° C	80 (26.6)	85 (29.4)	90 (32.2)	95 (35)	100 (37.8)	105 (40.6)	110 (43.3)				
TEZA061H8 Compressor Model ZB48KCE	40 (4.4)		87000 (25500)	83600 (24500)	80000 (23450)	76400 (22390)	72800 (21340)	69100 (20250)	65300 (19140)				
	35 (1.7)		80700 (23650)	77400 (22680)	74200 (21750)	70800 (20750)	67400 (19750)	64000 (18760)	60500 (17730)				
	30 (-1.1)		74500 (21830)	71500 (20950)	68500 (20080)	65400 (19170)	62300 (18260)	59100 (17320)	55800 (16350)				
	25 (-3.9)		68600 (20100)	65900 (19310)	63100 (18490)	60300 (17670)	57400 (16820)	54400 (15940)	51400 (15060)				
	20 (-6.7)		63000 (18460)	60500 (17730)	57900 (16970)	55300 (16210)	52700 (15440)	49900 (14620)	47200 (13830)				
	15 (-9.4)		57600 (16880)	55300 (16210)	53000 (15530)	50600 (14830)	48200 (14130)	45700 (13390)	43100 (12630)				
	10 (-12.2)		52500 (15390)	50500 (14800)	48300 (14160)	46200 (13540)	43900 (12870)	41700 (12220)	39300 (11520)				
	5 (-15.0)		47700 (13980)	45800 (13420)	43900 (12870)	41900 (12280)	39900 (11690)	37800 (11080)	35700 (10460)				
	0 (-17.8)		43200 (12660)	41500 (12160)	39800 (11660)	38000 (11140)	36100 (10580)	34200 (10020)	32300 (9470)				
	-5 (-20.6)		38900 (11400)	37400 (10960)	35800 (10490)	34200 (10020)	32500 (9520)	30800 (9030)	29000 (8500)				
-10 (-23.3)		34900 (10230)	33600 (9850)	32200 (9440)	30700 (9000)	29200 (8560)	27600 (8090)	26000 (7620)					
TEZA070H8 Compressor Model ZB58K5E	40 (4.4)		96500 (28280)	92600 (27140)	88600 (25970)	84600 (24790)	80500 (23590)	76300 (22360)	71900 (21070)				
	35 (1.7)		89400 (26200)	85800 (25150)	82200 (24090)	78400 (22980)	74600 (21860)	70700 (20720)	66600 (19520)				
	30 (-1.1)		82600 (24210)	79300 (23240)	76000 (22270)	72600 (21280)	69000 (20220)	65300 (19140)	61500 (18020)				
	25 (-3.9)		76200 (22330)	73200 (21450)	70100 (20540)	66900 (19610)	63600 (18640)	60200 (17640)	56600 (16590)				
	20 (-6.7)		70000 (20510)	67300 (19720)	64400 (18870)	61500 (18020)	58400 (17120)	55200 (16180)	51800 (15180)				
	15 (-9.4)		64200 (18820)	61600 (18050)	59000 (17290)	56300 (16500)	53400 (15650)	50400 (14770)	47200 (13830)				
	10 (-12.2)		58600 (17170)	56300 (16500)	53800 (15770)	51200 (15010)	48500 (14210)	45700 (13390)	42600 (12480)				
	5 (-15.0)		53200 (15590)	51100 (14980)	48800 (14300)	46400 (13600)	43800 (12840)	41000 (12020)	38100 (11170)				
	0 (-17.8)		48100 (14100)	46100 (13510)	43900 (12870)	41600 (12190)	39100 (11460)	36500 (10700)	33600 (9850)				
	-5 (-20.6)		43200 (12660)	41200 (12070)	39200 (11490)	36900 (10810)	34500 (10110)	31900 (9350)	29200 (8560)				
-10 (-23.3)		38400 (11250)	36500 (10700)	34500 (10110)	32300 (9470)	29900 (8760)	27400 (8030)	24600 (7210)					
TEZA076H8 Compressor Model ZB66K5E	40 (4.4)		116400 (34110)	111600 (32710)	106900 (31330)	102100 (29920)	97200 (28490)	92300 (27050)	87300 (25590)				
	35 (1.7)		107600 (31530)	103300 (30270)	98900 (28980)	94500 (27700)	90100 (26410)	85500 (25060)	80900 (23710)				
	30 (-1.1)		99200 (29070)	95300 (27930)	91300 (26760)	87300 (25590)	83200 (24380)	79000 (23150)	74800 (21920)				
	25 (-3.9)		91200 (26730)	87700 (25700)	84000 (24620)	80400 (23560)	76600 (22450)	72800 (21340)	69000 (20220)				
	20 (-6.7)		83600 (24500)	80400 (23560)	77100 (22600)	73800 (21630)	70400 (20630)	66900 (19610)	63400 (18580)				
	15 (-9.4)		76400 (22390)	73500 (21540)	70600 (20690)	67500 (19780)	64400 (18870)	61300 (17970)	58100 (17030)				
	10 (-12.2)		69600 (20400)	67000 (19640)	64300 (18840)	61600 (18050)	58800 (17230)	55900 (16380)	53000 (15530)				
	5 (-15.0)		63200 (18520)	60800 (17820)	58400 (17120)	55900 (16380)	53400 (15650)	50800 (14890)	48100 (14100)				
	0 (-17.8)		57100 (16730)	55000 (16120)	52800 (15470)	50500 (14800)	48200 (14130)	45800 (13420)	43400 (12720)				
	-5 (-20.6)		51400 (15060)	49500 (14510)	47500 (13920)	45400 (13310)	43300 (12690)	41100 (12050)	38900 (11400)				
-10 (-23.3)		46000 (13480)	44200 (12950)	42400 (12430)	40600 (11900)	38600 (11310)	36600 (10730)	34500 (10110)					
TEZA085H8 Compressor Model ZB76K5E	40 (4.4)		130400 (38220)	125200 (36690)	119900 (35140)	114500 (33560)	109100 (31970)	103600 (30360)	98000 (28720)				
	35 (1.7)		120700 (35370)	115900 (33970)	111000 (32530)	106100 (31090)	101100 (29630)	96100 (28160)	91000 (26670)				
	30 (-1.1)		111500 (32680)	107100 (31390)	102600 (30070)	98100 (28750)	93600 (27430)	88900 (26050)	84300 (24710)				
	25 (-3.9)		102700 (30100)	98700 (28930)	94600 (27720)	90500 (26520)	86400 (25320)	82100 (24060)	77900 (22830)				
	20 (-6.7)		94300 (27640)	90700 (26580)	87000 (25500)	83300 (24410)	79500 (23300)	75700 (22190)	71800 (21040)				
	15 (-9.4)		86400 (25320)	83100 (24350)	79800 (23390)	76400 (22390)	73000 (21390)	69600 (20400)	66100 (19370)				
	10 (-12.2)		78800 (23090)	75900 (22240)	72900 (21360)	69900 (20490)	66800 (19580)	63700 (18670)	60600 (17760)				
	5 (-15.0)		71600 (20980)	69000 (20220)	66300 (19430)	63600 (18640)	60900 (17850)	58200 (17060)	55400 (16240)				
	0 (-17.8)		64800 (18990)	62500 (18320)	60100 (17610)	57700 (16910)	55300 (16210)	52900 (15500)	50400 (14770)				
	-5 (-20.6)		58400 (17120)	56300 (16500)	54200 (15880)	52100 (15270)	49900 (14620)	47800 (14010)	45700 (13390)				
-10 (-23.3)		52200 (15300)	50400 (14770)	48500 (14210)	46600 (13660)	44800 (13130)	42900 (12570)	41000 (12020)					
TEZA110H8 Compressor Model ZB95K5E	40 (4.4)		168200 (49290)	161600 (47360)	155000 (45430)	148200 (43430)	141200 (41380)	134100 (39300)	126900 (37190)				
	35 (1.7)		155400 (45540)	149400 (43780)	143300 (42000)	137000 (40150)	130600 (38270)	124100 (36370)	117400 (34410)				
	30 (-1.1)		143300 (42000)	137800 (40390)	132200 (38740)	126400 (37040)	120500 (35310)	114500 (33560)	108300 (31740)				
	25 (-3.9)		131700 (38600)	126700 (37130)	121600 (35640)	116300 (34080)	110900 (32500)	105300 (30860)	99500 (29160)				
	20 (-6.7)		120700 (35370)	116100 (34030)	111400 (32650)	106600 (31240)	101600 (29780)	96500 (28280)	91100 (26700)				
	15 (-9.4)		110200 (32300)	106000 (31070)	101800 (29830)	97300 (28520)	92700 (27170)	88000 (25790)	83100 (24350)				
	10 (-12.2)		100300 (29390)	96500 (28280)	92500 (27110)	88500 (25940)	84200 (24680)	79800 (23390)	75300 (22070)				
	5 (-15.0)		90800 (26610)	87400 (25610)	83800 (24560)	80000 (23450)	76100 (22300)	72000 (21100)	67700 (19840)				
	0 (-17.8)		81900 (24000)	78700 (23060)	75400 (22100)	71900 (21070)	68200 (19990)	64400 (18870)	60400 (17700)				
	-5 (-20.6)		73400 (21510)	70400 (20630)	67300 (19720)	64000 (18760)	60600 (17760)	57000 (16700)	53200 (15590)				
-10 (-23.3)		65300 (19140)	62500 (18320)	59600 (17470)	56500 (16560)	53200 (15590)	49800 (14590)	46100 (13510)					
TEZA150H8 Compressor Model ZB114K5E	40 (4.4)		194300 (56940)	186500 (54660)	178700 (52370)	170700 (50030)	162500 (47620)	154200 (45190)	145700 (42700)				
	35 (1.7)		180000 (52750)	172900 (50670)	165600 (48530)	158200 (46360)	150600 (44140)	142900 (41880)	135000 (39560)				
	30 (-1.1)		166300 (48740)	159700 (46800)	153000 (44840)	146100 (42820)	139100 (40770)	131900 (38660)	124600 (36520)				
	25 (-3.9)		153100 (44870)	147100 (43110)	140900 (41290)	134500 (39420)	128100 (37540)	121400 (35580)	114500 (33560)				
	20 (-6.7)		140500 (41180)	134900 (39540)	129300 (37890)	123400 (36160)	117400 (34410)	111200 (32590)	104900 (30740)				
	15 (-9.4)		128400 (37630)	123300 (36140)	118100 (34610)	112800 (33060)	107200 (31420)	101500 (29750)	95600 (28020)				
	10 (-12.2)		116900 (34260)	112300 (32910)	107500 (31510)	102600 (30070)	97400 (28550)	92100 (26990)	86600 (25380)				
	5 (-15.0)		106000 (31070)	101700 (29810)	97300 (28520)	92800 (27200)	88100 (25820)	83200 (24380)	78000 (22860)				
	0 (-17.8)		95600 (28020)	91700 (26870)	87700 (25700)	83500 (24470)	79100 (23180)	74500 (21830)	69700 (20430)				
	-5 (-20.6)		85800 (25150)	82200 (24090)	78400 (22980)	74600 (21860)	70500 (20660)	66200 (19400)	61700 (18080)				
-10 (-23.3)		76400 (22390)	73100 (21420)	69700 (20430)	66000 (19340)	62200 (18230)	58200 (17060)	54000 (15830)					

MODEL TEZA	SATURATED SUCTION TEMPERATURE		CAPACITY BTU/H (WATTS) R404A R507										AMBIENT TEMPERATURE °F (°C)			
	° F	° C	80	(26.6)	85	(29.4)	90	(32.2)	95	(35)	100	(37.8)	105	(40.6)	110	(43.3)
	TEZA020L8 Compressor Model ZF06K4E	0	(-17.8)	13200	(3869)	12700	(3722)	12200	(3576)	11700	(3429)	11200	(3283)	10700	(3136)	10200
-5		(-20.6)	11900	(3488)	11500	(3370)	11100	(3253)	10600	(3107)	10200	(2989)	9700	(2843)	9300	(2726)
-10		(-23.3)	10800	(3165)	10400	(3048)	10000	(2931)	9600	(2814)	9200	(2696)	8800	(2579)	8500	(2491)
-15		(-26.1)	9700	(2843)	9400	(2755)	9100	(2667)	8700	(2550)	8400	(2462)	8000	(2345)	7700	(2257)
-20		(-28.9)	8700	(2550)	8500	(2491)	8100	(2374)	7800	(2286)	7500	(2198)	7200	(2110)	6900	(2022)
-25		(-31.7)	7800	(2286)	7600	(2227)	7300	(2140)	7000	(2052)	6700	(1964)	6400	(1876)	6200	(1817)
-30		(-34.4)	7000	(2052)	6700	(1964)	6500	(1905)	6200	(1817)	6000	(1758)	5700	(1671)	5500	(1612)
-35		(-37.2)	6100	(1788)	5900	(1729)	5700	(1671)	5500	(1612)	5300	(1553)	5000	(1465)	4800	(1407)
TEZA025L8 Compressor Model ZF08K4E	0	(-17.8)	16700	(4894)	16100	(4719)	15500	(4543)	14900	(4367)	14200	(4162)	13500	(3957)	12800	(3751)
	-5	(-20.6)	15100	(4426)	14600	(4279)	14100	(4132)	13500	(3957)	12900	(3781)	12300	(3605)	11700	(3429)
	-10	(-23.3)	13700	(4015)	13200	(3869)	12700	(3722)	12200	(3576)	11700	(3429)	11200	(3283)	10600	(3107)
	-15	(-26.1)	12300	(3605)	11900	(3488)	11500	(3370)	11000	(3224)	10600	(3107)	10100	(2960)	9600	(2814)
	-20	(-28.9)	11000	(3224)	10700	(3136)	10300	(3019)	9900	(2902)	9500	(2784)	9100	(2667)	8600	(2521)
	-25	(-31.7)	9900	(2902)	9500	(2784)	9200	(2696)	8900	(2608)	8500	(2491)	8100	(2374)	7700	(2257)
	-30	(-34.4)	8800	(2579)	8500	(2491)	8200	(2403)	7900	(2315)	7600	(2227)	7200	(2110)	6900	(2022)
	-35	(-37.2)	7800	(2286)	7500	(2198)	7300	(2140)	7000	(2052)	6700	(1964)	6400	(1876)	6100	(1788)
TEZA030L8 Compressor Model ZF09K4E	0	(-17.8)	18400	(5393)	17700	(5188)	17000	(4982)	16300	(4777)	15600	(4572)	14800	(4338)	14100	(4132)
	-5	(-20.6)	16700	(4894)	16100	(4719)	15500	(4543)	14800	(4338)	14200	(4162)	13500	(3957)	12800	(3751)
	-10	(-23.3)	15100	(4426)	14600	(4279)	14000	(4103)	13500	(3957)	12900	(3781)	12300	(3605)	11700	(3429)
	-15	(-26.1)	13600	(3986)	13100	(3839)	12700	(3722)	12200	(3576)	11700	(3429)	11100	(3253)	10600	(3107)
	-20	(-28.9)	12200	(3576)	11800	(3458)	11400	(3341)	11000	(3224)	10500	(3077)	10000	(2931)	9600	(2814)
	-25	(-31.7)	10900	(3195)	10600	(3107)	10200	(2989)	9800	(2872)	9400	(2755)	9000	(2638)	8600	(2521)
	-30	(-34.4)	9700	(2843)	9400	(2755)	9100	(2667)	8800	(2579)	8400	(2462)	8100	(2374)	7700	(2257)
	-35	(-37.2)	8600	(2521)	8300	(2433)	8100	(2374)	7800	(2286)	7500	(2198)	7100	(2081)	6800	(1993)
TEZA035L8 Compressor Model ZF11K4E	0	(-17.8)	22200	(6506)	21400	(6272)	20500	(6008)	19700	(5774)	18700	(5481)	17800	(5217)	16800	(4924)
	-5	(-20.6)	20200	(5920)	19500	(5715)	18700	(5481)	17900	(5246)	17100	(5012)	16300	(4777)	15400	(4513)
	-10	(-23.3)	18400	(5393)	17700	(5188)	17000	(4982)	16300	(4777)	15600	(4572)	14800	(4338)	14000	(4103)
	-15	(-26.1)	16600	(4865)	16000	(4689)	15400	(4513)	14800	(4338)	14100	(4132)	13400	(3927)	12700	(3722)
	-20	(-28.9)	14900	(4367)	14400	(4220)	13900	(4074)	13300	(3898)	12700	(3722)	12100	(3546)	11500	(3370)
	-25	(-31.7)	13300	(3898)	12900	(3781)	12400	(3634)	12000	(3517)	11400	(3341)	10900	(3195)	10400	(3048)
	-30	(-34.4)	11900	(3488)	11500	(3370)	11100	(3253)	10700	(3136)	10200	(2989)	9800	(2872)	9300	(2726)
	-35	(-37.2)	10500	(3077)	10200	(2989)	9800	(2872)	9500	(2784)	9100	(2667)	8700	(2550)	8300	(2433)
TEZA045L8 Compressor Model ZF13K4E	0	(-17.8)	26500	(7767)	25500	(7474)	24500	(7181)	23400	(6858)	22400	(6565)	21300	(6243)	20100	(5891)
	-5	(-20.6)	24000	(7034)	23100	(6770)	22200	(6506)	21200	(6213)	20300	(5950)	19300	(5657)	18300	(5363)
	-10	(-23.3)	21700	(6360)	20900	(6125)	20000	(5862)	19200	(5627)	18300	(5363)	17400	(5100)	16500	(4836)
	-15	(-26.1)	19500	(5715)	18700	(5481)	18000	(5275)	17200	(5041)	16500	(4836)	15700	(4601)	14800	(4338)
	-20	(-28.9)	17400	(5100)	16800	(4924)	16100	(4719)	15400	(4513)	14700	(4308)	14000	(4103)	13300	(3898)
	-25	(-31.7)	15500	(4543)	14900	(4367)	14300	(4191)	13700	(4015)	13100	(3839)	12500	(3664)	11900	(3488)
	-30	(-34.4)	13700	(4015)	13200	(3869)	12700	(3722)	12200	(3576)	11700	(3429)	11100	(3253)	10600	(3107)
	-35	(-37.2)	12000	(3517)	11600	(3400)	11100	(3253)	10700	(3136)	10300	(3019)	9900	(2902)	9500	(2784)
TEZA055L8 Compressor Model ZF15K4E	0	(-17.8)	31700	(9291)	30500	(8939)	29200	(8558)	28000	(8206)	26700	(7825)	25300	(7415)	24000	(7034)
	-5	(-20.6)	28700	(8411)	27700	(8118)	26600	(7796)	25400	(7444)	24300	(7122)	23100	(6770)	21800	(6389)
	-10	(-23.3)	26000	(7620)	25000	(7327)	24100	(7063)	23100	(6770)	22000	(6448)	20900	(6125)	19800	(5803)
	-15	(-26.1)	23400	(6858)	22600	(6624)	21700	(6360)	20800	(6096)	19900	(5832)	19000	(5569)	18000	(5275)
	-20	(-28.9)	21000	(6155)	20300	(5950)	19500	(5715)	18800	(5510)	17900	(5246)	17100	(5012)	16200	(4748)
	-25	(-31.7)	18800	(5510)	18200	(5334)	17500	(5129)	16800	(4924)	16100	(4719)	15400	(4513)	14600	(4279)
	-30	(-34.4)	16800	(4924)	16200	(4748)	15600	(4572)	15000	(4396)	14400	(4220)	13700	(4015)	13100	(3839)
	-35	(-37.2)	14900	(4367)	14400	(4220)	13900	(4074)	13300	(3898)	12800	(3751)	12200	(3576)	11600	(3400)

table continues on next page >>>

CAPACITY DATA - R404A R507
LOW TEMPERATURE (cont'd)

MODEL TEZA	SATURATED SUCTION TEMPERATURE		CAPACITY BTU/H (WATTS) R404A R507 AMBIENT TEMPERATURE °F (°C)							
	° F	° C	80 (26.6)	85 (29.4)	90 (32.2)	95 (35)	100 (37.8)	105 (40.6)	110 (43.3)	
TEZA060L8 Compressor Model ZF18K4E	0 (-17.8)		38200 (11196)	36800 (10785)	35300 (10346)	33900 (9936)	32400 (9496)	30900 (9056)	29300 (8587)	
	-5 (-20.6)		34700 (10170)	33400 (9789)	32200 (9437)	30800 (9027)	29500 (8646)	28200 (8265)	26800 (7855)	
	-10 (-23.3)		31400 (9203)	30300 (8880)	29200 (8558)	28000 (8206)	26800 (7855)	25600 (7503)	24400 (7151)	
	-15 (-26.1)		28300 (8294)	27300 (8001)	26400 (7737)	25300 (7415)	24300 (7122)	23200 (6800)	22200 (6506)	
	-20 (-28.9)		25400 (7444)	24600 (7210)	23700 (6946)	22800 (6682)	21900 (6419)	21000 (6155)	20100 (5891)	
	-25 (-31.7)		22700 (6653)	22000 (6448)	21300 (6243)	20500 (6008)	19700 (5774)	18900 (5539)	18100 (5305)	
	-30 (-34.4)		20200 (5920)	19600 (5744)	19000 (5569)	18300 (5363)	17600 (5158)	16900 (4953)	16200 (4748)	
	-35 (-37.2)		17900 (5246)	17300 (5070)	16800 (4924)	16200 (4748)	15600 (4572)	15000 (4396)	14400 (4220)	
	-40 (-40.0)		15700 (4601)	15200 (4455)	14700 (4308)	14200 (4162)	13700 (4015)	13200 (3869)	12700 (3722)	
TEZA075L8 Compressor Model ZF25K4E	0 (-17.8)		47900 (14040)	46200 (13540)	44500 (13040)	42700 (12510)	41000 (12020)	39200 (11490)	37300 (10930)	
	-5 (-20.6)		43400 (12720)	41900 (12280)	40300 (11810)	38700 (11340)	37100 (10870)	35500 (10400)	33900 (9940)	
	-10 (-23.3)		39200 (11490)	37800 (11080)	36400 (10670)	35000 (10260)	33600 (9850)	32100 (9410)	30600 (8970)	
	-15 (-26.1)		35300 (10350)	34000 (9960)	32800 (9610)	31500 (9230)	30200 (8850)	28900 (8470)	27700 (8120)	
	-20 (-28.9)		31600 (9260)	30500 (8940)	29400 (8620)	28300 (8290)	27100 (7940)	26000 (7620)	24900 (7300)	
	-25 (-31.7)		28200 (8260)	27200 (7970)	26200 (7680)	25300 (7410)	24300 (7120)	23400 (6860)	22400 (6560)	
	-30 (-34.4)		25000 (7330)	24200 (7090)	23300 (6830)	22500 (6590)	21700 (6360)	20900 (6130)	20100 (5890)	
	-35 (-37.2)		22100 (6480)	21400 (6270)	20700 (6070)	20000 (5860)	19300 (5660)	18700 (5480)	18000 (5280)	
	-40 (-40.0)		19400 (5690)	18800 (5510)	18200 (5330)	17700 (5190)	17100 (5010)	16600 (4860)	16200 (4750)	
TEZA100L8 Compressor Model ZF34K5E	0 (-17.8)		60000 (17580)	57700 (16910)	55400 (16240)	53000 (15530)	50500 (14800)	47900 (14040)	45300 (13280)	
	-5 (-20.6)		54600 (16000)	52600 (15420)	50500 (14800)	48300 (14160)	46100 (13510)	43800 (12840)	41400 (12130)	
	-10 (-23.3)		49500 (14510)	47700 (13980)	45900 (13450)	44000 (12900)	42000 (12310)	39900 (11690)	37800 (11080)	
	-15 (-26.1)		44800 (13130)	43200 (12660)	41500 (12160)	39800 (11660)	38100 (11170)	36200 (10610)	34300 (10050)	
	-20 (-28.9)		40200 (11780)	38800 (11370)	37400 (10960)	35900 (10520)	34300 (10050)	32700 (9580)	31000 (9090)	
	-25 (-31.7)		36000 (10550)	34800 (10200)	33500 (9820)	32200 (9440)	30800 (9030)	29400 (8620)	27900 (8180)	
	-30 (-34.4)		32000 (9380)	30900 (9060)	29800 (8730)	28600 (8380)	27400 (8030)	26200 (7680)	24900 (7300)	
	-35 (-37.2)		28200 (8260)	27200 (7970)	26300 (7710)	25200 (7390)	24200 (7090)	23100 (6770)	21900 (6420)	
	-40 (-40.0)		24600 (7210)	23800 (6980)	22900 (6710)	22000 (6450)	21100 (6180)	20100 (5890)	19100 (5600)	
TEZA130L8 Compressor Model ZF41K5E	0 (-17.8)		74500 (21830)	71800 (21040)	69000 (20220)	66100 (19370)	63200 (18520)	60200 (17640)	57000 (16700)	
	-5 (-20.6)		67800 (19870)	65400 (19170)	62900 (18430)	60400 (17700)	57700 (16910)	55000 (16120)	52200 (15300)	
	-10 (-23.3)		61500 (18020)	59400 (17410)	57200 (16760)	54900 (16090)	52600 (15420)	50200 (14710)	47700 (13980)	
	-15 (-26.1)		55600 (16290)	53700 (15740)	51800 (15180)	49800 (14590)	47700 (13980)	45600 (13360)	43300 (12690)	
	-20 (-28.9)		50100 (14680)	48400 (14180)	46700 (13690)	45000 (13190)	43100 (12630)	41200 (12070)	39200 (11490)	
	-25 (-31.7)		44800 (13130)	43400 (12720)	41900 (12280)	40400 (11840)	38800 (11370)	37100 (10870)	35300 (10350)	
	-30 (-34.4)		40000 (11720)	38700 (11340)	37400 (10960)	36100 (10580)	34600 (10140)	33100 (9700)	31500 (9230)	
	-35 (-37.2)		35400 (10370)	34300 (10050)	33100 (9700)	31900 (9350)	30700 (9000)	29300 (8590)	27900 (8180)	
	-40 (-40.0)		31000 (9090)	30100 (8820)	29000 (8500)	28000 (8210)	26800 (7850)	25600 (7500)	24300 (7120)	
TEZA150L8 Compressor Model ZF49K5E	0 (-17.8)		88000 (25790)	84700 (24820)	81300 (23830)	77800 (22800)	74200 (21750)	70500 (20660)	66600 (19520)	
	-5 (-20.6)		80200 (23500)	77200 (22630)	74200 (21750)	71000 (20810)	67800 (19870)	64400 (18870)	61000 (17880)	
	-10 (-23.3)		72700 (21310)	70100 (20540)	67400 (19750)	64600 (18930)	61700 (18080)	58700 (17200)	55600 (16290)	
	-15 (-26.1)		65700 (19250)	63400 (18580)	61000 (17880)	58500 (17140)	55900 (16380)	53200 (15590)	50400 (14770)	
	-20 (-28.9)		59100 (17320)	57100 (16730)	54900 (16090)	52700 (15440)	50400 (14770)	48100 (14100)	45600 (13360)	
	-25 (-31.7)		52900 (15500)	51100 (14980)	49300 (14450)	47300 (13860)	45300 (13280)	43200 (12660)	40900 (11990)	
	-30 (-34.4)		47200 (13830)	45600 (13360)	44000 (12900)	42200 (12370)	40500 (11870)	38600 (11310)	36600 (10730)	
	-35 (-37.2)		41900 (12280)	40500 (11870)	39000 (11430)	37500 (10990)	35900 (10520)	34200 (10020)	32400 (9500)	
	-40 (-40.0)		36900 (10810)	35700 (10460)	34400 (10080)	33100 (9700)	31600 (9260)	30100 (8820)	28500 (8350)	

**CAPACITY DATA - R22
HIGH TEMPERATURE**

MODEL TEZA	SATURATED SUCTION TEMP.		CAPACITY BTU/H (WATTS) R22 AMBIENT TEMPERATURE °F (°C)						
	° F	° C	80 (26.6)	85 (29.4)	90 (32.2)	95 (35)	100 (37.8)	105 (40.6)	110 (43.3)
TEZA010H8 Compressor Model ZS09KAE	45 (7.2)	18800 (5510)	18300 (5360)	17800 (5220)	17300 (5070)	16800 (4920)	16300 (4780)	15800 (4630)	15300 (4490)
	40 (4.4)	17200 (5040)	16800 (4920)	16300 (4780)	15900 (4660)	15400 (4510)	15000 (4400)	14500 (4250)	14000 (4100)
	35 (1.7)	15700 (4600)	15300 (4480)	14900 (4370)	14500 (4250)	14100 (4130)	13700 (4020)	13300 (3900)	12900 (3780)
	30 (-1.1)	14300 (4190)	14000 (4100)	13600 (3990)	13300 (3900)	12900 (3780)	12500 (3660)	12100 (3550)	11700 (3430)
	25 (-3.9)	13100 (3840)	12700 (3720)	12400 (3630)	12100 (3550)	11700 (3430)	11400 (3340)	11000 (3220)	10600 (3100)
TEZA011H8 Compressor Model ZS11KAE	45 (7.2)	21700 (6360)	21200 (6210)	20600 (6040)	20000 (5860)	19400 (5690)	18800 (5510)	18300 (5360)	17800 (5220)
	40 (4.4)	19900 (5830)	19400 (5690)	18900 (5540)	18400 (5390)	17800 (5220)	17300 (5070)	16700 (4890)	16200 (4750)
	35 (1.7)	18200 (5330)	17800 (5220)	17300 (5070)	16800 (4920)	16300 (4780)	15800 (4630)	15300 (4480)	14800 (4340)
	30 (-1.1)	16700 (4890)	16200 (4750)	15800 (4630)	15400 (4510)	14900 (4370)	14500 (4250)	14000 (4100)	13600 (3990)
	25 (-3.9)	15200 (4450)	14800 (4340)	14400 (4220)	14000 (4100)	13600 (3990)	13200 (3870)	12800 (3750)	12400 (3630)
TEZA015H8 Compressor Model ZS13KAE	45 (7.2)	24500 (7180)	23900 (7000)	23200 (6800)	22600 (6620)	21900 (6420)	21200 (6210)	20600 (6040)	19900 (5830)
	40 (4.4)	22500 (6590)	21900 (6420)	21300 (6240)	20700 (6070)	20100 (5890)	19500 (5710)	18900 (5540)	18300 (5360)
	35 (1.7)	20600 (6040)	20100 (5890)	19600 (5740)	19000 (5570)	18400 (5390)	17900 (5250)	17300 (5070)	16700 (4890)
	30 (-1.1)	18900 (5540)	18400 (5390)	17900 (5250)	17400 (5100)	16900 (4950)	16400 (4810)	15800 (4630)	15300 (4480)
	25 (-3.9)	17200 (5040)	16800 (4920)	16300 (4780)	15900 (4660)	15400 (4510)	14900 (4370)	14400 (4220)	13900 (4080)
TEZA020H8 Compressor Model ZB15KCE	45 (7.2)	28100 (8236)	27400 (8030)	26600 (7796)	25900 (7591)	25100 (7356)	24300 (7122)	23500 (6887)	22700 (6653)
	40 (4.4)	25900 (7591)	25200 (7386)	24500 (7181)	23800 (6975)	23100 (6770)	22400 (6565)	21600 (6331)	20900 (6117)
	35 (1.7)	23800 (6975)	23100 (6770)	22500 (6594)	21900 (6419)	21200 (6213)	20500 (6008)	19800 (5803)	19100 (5598)
	30 (-1.1)	21700 (6360)	21200 (6213)	20600 (6038)	20000 (5862)	19400 (5686)	18800 (5510)	18100 (5305)	17500 (5129)
	25 (-3.9)	19800 (5803)	19300 (5657)	18800 (5510)	18200 (5334)	17700 (5188)	17100 (5012)	N/A	N/A
TEZA025H8 Compressor Model ZB19KCE	45 (7.2)	32200 (9437)	31400 (9203)	30500 (8939)	29700 (8705)	28800 (8441)	27900 (8177)	26900 (7884)	26000 (7650)
	40 (4.4)	29500 (8646)	28800 (8441)	28000 (8206)	27200 (7972)	26400 (7737)	25500 (7474)	24700 (7239)	23900 (7004)
	35 (1.7)	27000 (7913)	26300 (7708)	25600 (7503)	24900 (7298)	24200 (7093)	23400 (6858)	22600 (6624)	21800 (6389)
	30 (-1.1)	24700 (7239)	24100 (7063)	23400 (6858)	22700 (6653)	22100 (6477)	21300 (6243)	20600 (6038)	19900 (5833)
	25 (-3.9)	22500 (6594)	21900 (6419)	21300 (6243)	20700 (6067)	20100 (5891)	19400 (5686)	N/A	N/A
TEZA030H8 Compressor Model ZB21KCE	45 (7.2)	42500 (12456)	41500 (12163)	40500 (11870)	39400 (11547)	38300 (11225)	37200 (10903)	36000 (10551)	34900 (10229)
	40 (4.4)	39100 (11460)	38100 (11166)	37200 (10903)	36200 (10610)	35100 (10287)	34100 (9994)	33000 (9672)	31900 (9350)
	35 (1.7)	35800 (10492)	34900 (10229)	34000 (9965)	33100 (9701)	32200 (9437)	31200 (9144)	30200 (8851)	29200 (8558)
	30 (-1.1)	32700 (9584)	31900 (9349)	31000 (9086)	30200 (8851)	29300 (8587)	28400 (8324)	27500 (8060)	26600 (7796)
	25 (-3.9)	29700 (8705)	29000 (8499)	28200 (8265)	27400 (8030)	26600 (7796)	25800 (7562)	N/A	N/A
TEZA035H8 Compressor Model ZB26KCE	45 (7.2)	48400 (14185)	47200 (13834)	45900 (13453)	44700 (13101)	43300 (12691)	42000 (12309)	40600 (11899)	39300 (11509)
	40 (4.4)	44500 (13042)	43300 (12691)	42200 (12368)	41000 (12016)	39800 (11665)	38600 (11313)	37300 (10932)	36100 (10580)
	35 (1.7)	40800 (11958)	39700 (11635)	38700 (11342)	37600 (11020)	36500 (10698)	35400 (10375)	34200 (10023)	33100 (9701)
	30 (-1.1)	37300 (10932)	36300 (10639)	35400 (10375)	34400 (10082)	33400 (9789)	32300 (9467)	31300 (9174)	30300 (8881)
	25 (-3.9)	34000 (9965)	33100 (9701)	32200 (9437)	31300 (9174)	30400 (8910)	29400 (8617)	N/A	N/A
TEZA040H8 Compressor Model ZB30KCE	45 (7.2)	55600 (16295)	54100 (15856)	52700 (15445)	51200 (15006)	49700 (14566)	48100 (14097)	46500 (13628)	44900 (13159)
	40 (4.4)	51200 (15006)	49800 (14596)	48500 (14215)	47100 (13804)	45700 (13394)	44300 (12984)	42800 (12544)	41400 (12134)
	35 (1.7)	47000 (13775)	45700 (13394)	44500 (13042)	43200 (12661)	41900 (12280)	40600 (11899)	39200 (11489)	37900 (11089)
	30 (-1.1)	43000 (12603)	41800 (12251)	40700 (11928)	39500 (11577)	38300 (11225)	37100 (10873)	35900 (10522)	34700 (10171)
	25 (-3.9)	39200 (11489)	38100 (11166)	37100 (10873)	36000 (10551)	34900 (10229)	33800 (9906)	N/A	N/A
TEZA050H8 Compressor Model ZB38KCE	45 (7.2)	68600 (20106)	66900 (19607)	65100 (19080)	63300 (18552)	61400 (17995)	59500 (17438)	57500 (16852)	55600 (16295)
	40 (4.4)	63200 (18523)	61600 (18054)	59900 (17556)	58200 (17057)	56500 (16559)	54700 (16032)	52900 (15504)	51100 (14977)
	35 (1.7)	58000 (16999)	56500 (16559)	55000 (16120)	53400 (15651)	51800 (15182)	50200 (14713)	48500 (14215)	46900 (13746)
	30 (-1.1)	53000 (15533)	51700 (15152)	50200 (14713)	48800 (14302)	47300 (13863)	45800 (13423)	44300 (12984)	42800 (12544)
	25 (-3.9)	48300 (14156)	47100 (13804)	45800 (13423)	44400 (13013)	43100 (12632)	41700 (12222)	N/A	N/A
TEZA060H8 Compressor Model ZB45KCE	45 (7.2)	83700 (24531)	81600 (23916)	79500 (23300)	77300 (22655)	75000 (21981)	72700 (21307)	70300 (20604)	67900 (19930)
	40 (4.4)	76900 (22538)	75000 (21981)	73000 (21395)	71000 (20809)	68900 (20193)	66700 (19549)	64500 (18904)	62300 (18260)
	35 (1.7)	70500 (20662)	68700 (20135)	66900 (19607)	65000 (19050)	63000 (18464)	61000 (17878)	58900 (17263)	56800 (16648)
	30 (-1.1)	64400 (18875)	62800 (18406)	61100 (17907)	59300 (17380)	57500 (16852)	55600 (16295)	53700 (15739)	51800 (15182)
	25 (-3.9)	58600 (17175)	57100 (16735)	55500 (16266)	53900 (15797)	52300 (15328)	50500 (14801)	N/A	N/A
TEZA061H8 Compressor Model ZB48KCE	45 (7.2)	91800 (26900)	89500 (26230)	87100 (25530)	84600 (24790)	82000 (24030)	79400 (23270)	76700 (22480)	74100 (21720)
	40 (4.4)	84000 (24620)	81900 (24000)	79700 (23360)	77500 (22710)	75100 (22010)	72700 (21310)	70300 (20600)	67900 (19900)
	35 (1.7)	76800 (22510)	74900 (21950)	72900 (21360)	70800 (20750)	68600 (20100)	66400 (19460)	64200 (18820)	62000 (18180)
	30 (-1.1)	70000 (20510)	68200 (19990)	66400 (19460)	64500 (18900)	62500 (18320)	60500 (17730)	58400 (17120)	56300 (16530)
	25 (-3.9)	63600 (18640)	62000 (18170)	60300 (17670)	58600 (17170)	56800 (16650)	54900 (16090)	53000 (15530)	51100 (14970)

table continues on next page >>>

**CAPACITY DATA - R22
HIGH TEMPERATURE (cont'd)**

MODEL TEZA	SATURATED SUCTION TEMP.		CAPACITY BTU/H (WATTS) R22 AMBIENT TEMPERATURE °F (°C)									
	° F	° C	80 (26.6)	85 (29.4)	90 (32.2)	95 (35)	100 (37.8)	105 (40.6)	110 (43.3)			
TEZA070H8 Compressor Model ZB58K5E	45 (7.2)	102600 (30070)	99900 (29280)	97100 (28460)	94200 (27610)	91200 (26730)	88100 (25820)	84800 (24850)				
	40 (4.4)	94200 (27610)	91700 (26870)	89100 (26110)	86400 (25320)	83600 (24500)	80700 (23650)	77700 (22770)				
	35 (1.7)	86200 (25260)	83900 (24590)	81500 (23890)	79000 (23150)	76400 (22390)	73700 (21600)	70900 (20780)				
	30 (-1.1)	78700 (23060)	76500 (22420)	74300 (21780)	72000 (21100)	69600 (20400)	67000 (19640)	64400 (18870)				
25 (-3.9)	71500 (20950)	69500 (20370)	67400 (19750)	65300 (19140)	63000 (18460)	60700 (17790)	58300 (17090)					
TEZA076H8 Compressor Model ZB66K5E	45 (7.2)	119700 (35080)	116800 (34230)	113900 (33380)	110800 (32470)	107700 (31560)	104600 (30660)	101300 (29690)				
	40 (4.4)	109800 (32180)	107200 (31420)	104500 (30630)	101700 (29810)	98900 (28980)	96000 (28130)	93000 (27260)				
	35 (1.7)	100400 (29420)	98000 (28720)	95600 (28020)	93000 (27260)	90400 (26490)	87800 (25730)	85000 (24910)				
	30 (-1.1)	91600 (26850)	89400 (26200)	87100 (25530)	84800 (24850)	82500 (24180)	80000 (23450)	77500 (22710)				
25 (-3.9)	83200 (24380)	81200 (23800)	79200 (23210)	77100 (22600)	74900 (21950)	72700 (21310)	70400 (20630)					
TEZA085H8 Compressor Model ZB76K5E	45 (7.2)	137900 (40410)	134500 (39420)	131000 (38390)	127400 (37340)	123700 (36250)	120000 (35170)	116200 (34050)				
	40 (4.4)	127200 (37280)	124000 (36340)	120800 (35400)	117500 (34440)	114100 (33440)	110600 (32410)	107000 (31360)				
	35 (1.7)	116900 (34260)	114000 (33410)	111000 (32530)	107900 (31620)	104800 (30710)	101600 (29780)	98200 (28780)				
	30 (-1.1)	107000 (31360)	104400 (30600)	101600 (29780)	98800 (28960)	95900 (28110)	92900 (27230)	89800 (26320)				
25 (-3.9)	97700 (28630)	95300 (27930)	92700 (27170)	90100 (26410)	87400 (25610)	84700 (24820)	81800 (23970)					
TEZA110H8 Compressor Model ZB95K5E	45 (7.2)	174300 (51080)	169800 (49760)	165100 (48390)	160400 (47010)	155500 (45570)	150500 (44110)	145300 (42580)				
	40 (4.4)	160200 (46950)	155900 (45690)	151600 (44430)	147100 (43110)	142500 (41760)	137800 (40390)	132900 (38950)				
	35 (1.7)	146700 (42990)	142700 (41820)	138700 (40650)	134400 (39390)	130100 (38130)	125600 (36810)	121000 (35460)				
	30 (-1.1)	133800 (39210)	130100 (38130)	126300 (37010)	122300 (35840)	118200 (34640)	113900 (33380)	109500 (32090)				
25 (-3.9)	121600 (35640)	118100 (34610)	114500 (33560)	110800 (32470)	106800 (31300)	102800 (30130)	98600 (28900)					
TEZA150H8 Compressor Model ZB114K5E	45 (7.2)	202800 (59430)	197100 (57760)	191500 (56120)	185900 (54480)	180200 (52810)	174500 (51140)	168500 (49380)				
	40 (4.4)	186400 (54630)	181300 (53130)	176100 (51610)	171000 (50110)	165700 (48560)	160300 (46980)	154700 (45340)				
	35 (1.7)	170800 (50060)	166200 (48710)	161500 (47330)	156800 (45950)	151800 (44490)	146700 (42990)	141400 (41440)				
	30 (-1.1)	156100 (45750)	151900 (44520)	147600 (43260)	143100 (41940)	138500 (40590)	133600 (39150)	128500 (37660)				
25 (-3.9)	142200 (41670)	138300 (40530)	134300 (39360)	130100 (38130)	125700 (36840)	121000 (35460)	115900 (33970)					

MODEL TEZA	COMPRESSOR MODEL NO.	POWER SUPPLY	COMPRESSOR		CONDENSER FAN MOTOR			UNIT		
			RLA	LRA	QTY	WATTS	FLA	MCA	MOP	
TEZA010H8-*	S2B	ZS09KAE-PFV	208-230/1/60	10.0	40.3	1	240	1.1	13.6	20
	T3B	ZS09KAE-TF5	208-230/3/60	8.0	55.4	1	240	1.1	11.1	15
	T4B	ZS09KAE-TFD	460/3/60	3.8	28	1	240	0.6	5.4	15
TEZA011H8-*	S2B	ZS11KAE-PFV	208-230/1/60	12.6	55	1	240	1.1	16.9	25
	T3B	ZS11KAE-TF5	208-230/3/60	10.4	58	1	240	1.1	14.1	20
	T4B	ZS11KAE-TFD	460/3/60	4.3	28	1	240	0.6	6.0	15
TEZA015H8-*	S2B	ZS13KAE-PFV	208-230/1/60	12.0	56	1	240	1.1	16.1	25
	T3B	ZS13KAE-TF5	208-230/3/60	9.7	58	1	240	1.1	13.2	20
	T4B	ZS13KAE-TFD	460/3/60	4.8	29	1	240	0.6	6.6	15
TEZA020H8-*	S2B	ZB15KCE-PFV	208-230/1/60	15.7	61	1	240	1.1	20.7	35
	T3B	ZB15KCE-TF5	208-230/3/60	8.9	55	1	240	1.1	12.2	20
	T4B	ZB15KCE-TFD	460/3/60	5.0	27	1	240	0.6	6.9	15
TEZA025H8-*	S2B	ZB19KCE-PFV	208-230/1/60	17.9	73	1	240	1.1	23.5	40
	T3B	ZB19KCE-TF5	208-230/3/60	10.0	63	1	240	1.1	13.6	20
	T4B	ZB19KCE-TFD	460/3/60	5.0	31	1	240	0.6	6.9	15
TEZA030H8-*	S2B	ZB21KCE-PFV	208-230/1/60	20.7	100	1	400	2.1	28.0	45
	T3B	ZB21KCE-TF5	208-230/3/60	12.1	77	1	400	2.1	17.2	25
	T4B	ZB21KCE-TFD	460/3/60	6.1	39	1	400	1.1	8.7	15
TEZA035H8-*	S2B	ZB26KCE-PFV	208-230/1/60	23.6	127	1	400	2.1	31.6	50
	T3B	ZB26KCE-TF5	208-230/3/60	13.9	88	1	400	2.1	19.5	30
	T4B	ZB26KCE-TFD	460/3/60	7.1	44	1	400	1.1	10.0	15
TEZA040H8-*	S2B	ZB30KCE-PFV	208-230/1/60	26.8	132	1	400	2.1	35.6	60
	T3B	ZB30KCE-TF5	208-230/3/60	15.7	115	1	400	2.1	21.7	35
	T4B	ZB30KCE-TFD	460/3/60	7.5	47.5	1	400	1.1	10.5	15
	T5B	ZB30KCE-TFE	575/3/60	6.4	40	1	400	0.9	8.9	15
TEZA050H8-*	S2B	ZB38KCE-PFV	208-230/1/60	31.1	175	1	400	2.1	41.0	70
	T3B	ZB38KCE-TF5	208-230/3/60	22.1	128	1	400	2.1	29.7	50
	T4B	ZB38KCE-TFD	460/3/60	9.6	63	1	400	1.1	13.1	20
	T5B	ZB38KCE-TFE	575/3/60	7.1	50	1	400	0.9	9.8	15
TEZA060H8-*	T3B	ZB45KCE-TF5	208-230/3/60	22.5	156	1	400	2.1	30.2	50
	T4B	ZB45KCE-TFD	460/3/60	11.5	75	1	400	1.1	15.5	25
	T5B	ZB45KCE-TFE	575/3/60	7.9	54	1	400	0.9	10.8	15
TEZA061H8-*	T3B	ZB48KCE-TF5	208-230/3/60	25.4	164	1	400	2.1	33.9	50
	T4B	ZB48KCE-TFD	460/3/60	13.6	100	1	400	1.1	18.1	30
	T5B	ZB48KCE-TFE	575/3/60	10.1	78	1	400	0.9	13.5	20
TEZA070H8-*	T3B	ZB58K5E-TFC	208-230/3/60	34.3	195	1	400	2.1	45.0	70
	T4B	ZB58K5E-TFD	460/3/60	17.9	95	1	400	1.1	23.5	40
	T5B	ZB58K5E-TFE	575/3/60	13.6	80	1	400	0.9	17.9	30
TEZA076H8-*	T3B	ZB66K5E-TFC	208-230/3/60	39.3	225	2	800	4.2	53.3	90
	T4B	ZB66K5E-TFD	460/3/60	17.3	114	2	800	2.2	23.8	40
	T5B	ZB66K5E-TFE	575/3/60	14.3	80	2	800	1.8	19.7	30
TEZA085H8-*	T3B	ZB76K5E-TFC	208-230/3/60	43.0	239	2	800	4.2	58.0	100
	T4B	ZB76K5E-TFD	460/3/60	20.7	125	2	800	2.2	28.1	45
	T5B	ZB76K5E-TFE	575/3/60	14.6	80	2	800	1.8	20.1	30
TEZA110H8-*	T3B	ZB95K5E-TWC	208-230/3/60	52.9	298	2	1560	7.2	73.3	125
	T4B	ZB95K5E-TFD	460/3/60	25.0	150	2	1560	3.4	34.7	50
	T5B	ZB95K5E-TFE	575/3/60	20.8	123	2	1560	2.8	28.8	45
TEZA150H8-*	T3B	ZB114K5E-TWC	208-230/3/60	63.0	321	2	1560	7.2	86.0	125
	T4B	ZB114K5E-TFD	460/3/60	27.9	179	2	1560	3.4	38.3	60
	T5B	ZB114K5E-TWE	575/3/60	22.4	132	2	1560	2.8	30.8	50

* I = Indoor, H = Outdoor. Above listed RLA value is based on UL rating method and may differ from published compressor RLA data.

table continues on next page >>>

MODEL TEZA	COMPRESSOR MODEL NO.	POWER SUPPLY	COMPRESSOR		CONDENSER FAN MOTOR			UNIT		
			RLA	LRA	QTY	WATTS	FLA	MCA	MOP	
TEZA020L8- *	S2	ZF06K4E-PFV	208-230/1/60	13.6	61	1	130	0.5	17.5	30
	T3	ZF06K4E-TF5	208-230/3/60	9.3	55	1	130	0.5	12.1	20
TEZA025L8- *	S2	ZF08K4E-PFV	208-230/1/60	16.4	73	1	240	1.1	21.6	35
	T3	ZF08K4E-TF5	208-230/3/60	9.6	63	1	240	1.1	13.1	20
	T4	ZF08K4E-TFD	460/3/60	5.0	31	1	240	0.6	6.9	15
	T5	ZF08K4E-TFE	575/3/60	5.0	31	1	240	0.6	6.9	15
TEZA030L8- *	S2	ZF09K4E-PFV	208-230/1/60	15.4	88	1	240	1.1	20.4	35
	T3	ZF09K4E-TF5	208-230/3/60	9.9	77	1	240	1.1	13.5	20
	T4	ZF09K4E-TFD	460/3/60	5.0	39	1	240	0.6	6.9	15
TEZA035L8- *	T5	ZF09K4E-TFE	575/3/60	4.3	31	1	240	0.5	5.9	15
	S2	ZF11K4E-PFV	208-230/1/60	20.7	109	1	240	1.1	27.0	45
	T3	ZF11K4E-TF5	208-230/3/60	12.7	88	1	240	1.1	17.0	25
	T4	ZF11K4E-TFD	460/3/60	6.4	44	1	240	0.6	8.6	15
TEZA045L8- *	T5	ZF11K4E-TFE	575/3/60	4.6	34	1	240	0.5	6.3	15
	S2	ZF13K4E-PFV	208-230/1/60	25.0	129	1	400	2.1	33.4	50
	T3	ZF13K4E-TF5	208-230/3/60	13.8	99	1	400	2.1	19.4	30
	T4	ZF13K4E-TFD	460/3/60	7.1	49.5	1	400	1.1	10.0	15
TEZA055L8- *	T5	ZF13K4E-TFE	575/3/60	7.1	40	1	400	0.9	9.8	15
	S2	ZF15K4E-PFV	208-230/1/60	27.9	169	1	400	2.1	37.0	60
	T3	ZF15K4E-TF5	208-230/3/60	18.9	123	1	400	2.1	25.7	40
	T4	ZF15K4E-TFD	460/3/60	8.9	62	1	400	1.1	12.2	20
TEZA060L8- *	T5	ZF15K4E-TFE	575/3/60	6.4	50	1	400	0.9	8.9	15
	T3	ZF18K4E-TF5	208-230/3/60	21.8	156	1	400	2.1	29.4	50
	T4	ZF18K4E-TFD	460/3/60	9.0	75	1	400	1.1	12.4	20
TEZA075L8- *	T5	ZF18K4E-TFE	575/3/60	7.9	54	1	400	0.9	10.8	15
	T3	ZF25K4E-TF5	208-230/3/60	26.7	224	1	400	2.1	35.5	60
	T4	ZF25K4E-TFD	460/3/60	11.9	99	1	400	1.1	16.0	25
TEZA100L8- *	T5	ZF25K4E-TFE	575/3/60	9.1	82.4	1	400	0.9	12.3	20
	T3	ZF34K5E-TFC	208-230/3/60	37.1	239	1	400	2.1	48.5	80
	T4	ZF34K5E-TFD	460/3/60	17.9	100	1	400	1.1	23.5	40
TEZA130L8- *	T5	ZF34K5E-TFE	575/3/60	14.3	100	1	400	0.9	18.8	30
	T3	ZF41K5E-TFC	208-230/3/60	42.1	248	2	800	4.2	56.8	90
	T4	ZF41K5E-TFD	460/3/60	19.3	125	2	800	2.2	26.3	45
TEZA150L8- *	T5	ZF41K5E-TFE	575/3/60	15.6	100	2	800	1.8	21.3	35
	T3	ZF49K5E-TFC	208-230/3/60	50.7	339	2	800	4.2	67.6	100
	T4	ZF49K5E-TFD	460/3/60	20.2	139	2	800	2.2	27.5	45
	T5	ZF49K5E-TFE	575/3/60	18.2	123	2	800	1.8	24.6	40

* I = Indoor, H = Outdoor. Above listed RLA value is based on UL rating method and may differ from published compressor RLA data.

**ELECTRICAL DATA
Models with EC Motor(s)[†]**

MODEL TEZA	COMPRESSOR MODEL NO.	POWER SUPPLY	COMPRESSOR		ECM CONDENSER FAN			UNIT		
			RLA	LRA	QTY	WATTS	FLA	MCA	MOP	
TEZA010H8- *	S2B	ZS09KAE-PFV	208-230/1/60	10.0	40.3	1	175	2.0	14.5	20
	T3B	ZS09KAE-TF5	208-230/3/60	8.0	55.4	1	175	2.0	12.0	20
TEZA011H8- *	S2B	ZS11KAE-PFV	208-230/1/60	12.6	55	1	175	2.0	17.8	30
	T3B	ZS11KAE-TF5	208-230/3/60	10.4	58	1	175	2.0	15.0	25
TEZA015H8- *	S2B	ZS13KAE-PFV	208-230/1/60	12.0	56	1	175	2.0	17.0	25
	T3B	ZS13KAE-TF5	208-230/3/60	9.7	58	1	175	2.0	14.1	20
TEZA020H8- *	S2B	ZB15KCE-PFV	208-230/1/60	15.7	61	1	175	2.0	21.6	35
	T3B	ZB15KCE-TF5	208-230/3/60	8.9	55	1	175	2.0	13.1	20
TEZA025H8- *	S2B	ZB19KCE-PFV	208-230/1/60	17.9	73	1	175	2.0	24.4	40
	T3B	ZB19KCE-TF5	208-230/3/60	10.0	63	1	175	2.0	14.5	20
TEZA030H8- *	S2B	ZB21KCE-PFV	208-230/1/60	20.7	100	1	315	3.5	29.4	50
	T3B	ZB21KCE-TF5	208-230/3/60	12.1	77	1	315	3.5	18.6	30
	T4B	ZB21KCE-TFD	460/3/60	6.1	39	1	315	1.8	9.4	15
TEZA035H8- *	S2B	ZB26KCE-PFV	208-230/1/60	23.6	127	1	315	3.5	33.0	50
	T3B	ZB26KCE-TF5	208-230/3/60	13.9	88	1	315	3.5	20.9	30
	T4B	ZB26KCE-TFD	460/3/60	7.1	44	1	315	1.8	10.7	15
TEZA040H8- *	S2B	ZB30KCE-PFV	208-230/1/60	26.8	132	1	315	3.5	37.0	60
	T3B	ZB30KCE-TF5	208-230/3/60	15.7	115	1	315	3.5	23.1	35
	T4B	ZB30KCE-TFD	460/3/60	7.5	47.5	1	315	1.8	11.2	15
	T5B	ZB30KCE-TFE	575/3/60	6.4	40	1	315	1.4	9.4	15
TEZA050H8- *	S2B	ZB38KCE-PFV	208-230/1/60	31.1	175	1	315	3.5	42.4	70
	T3B	ZB38KCE-TF5	208-230/3/60	22.1	128	1	315	3.5	31.1	50
	T4B	ZB38KCE-TFD	460/3/60	9.6	63	1	315	1.8	13.8	20
	T5B	ZB38KCE-TFE	575/3/60	7.1	50	1	315	1.4	10.3	15
TEZA060H8- *	T3B	ZB45KCE-TF5	208-230/3/60	22.5	156	1	315	3.5	31.6	50
	T4B	ZB45KCE-TFD	460/3/60	11.5	75	1	315	1.8	16.2	25
	T5B	ZB45KCE-TFE	575/3/60	7.9	54	1	315	1.4	11.3	15
TEZA061H8- *	T3B	ZB48KCE-TF5	208-230/3/60	25.4	164	1	315	3.5	35.3	60
	T4B	ZB48KCE-TFD	460/3/60	13.6	100	1	315	1.8	18.8	30
	T5B	ZB48KCE-TFE	575/3/60	10.1	78	1	315	1.4	14.0	20
TEZA070H8- *	T3B	ZB58K5E-TFC	208-230/3/60	34.3	195	1	315	3.5	46.4	80
	T4B	ZB58K5E-TFD	460/3/60	17.9	95	1	315	1.8	24.2	40
	T5B	ZB58K5E-TFE	575/3/60	13.6	80	1	315	1.4	18.4	30
TEZA076H8- *	T3B	ZB66K5E-TFC	208-230/3/60	39.3	225	2	630	7.0	56.1	90
	T4B	ZB66K5E-TFD	460/3/60	17.3	114	2	630	3.6	25.2	40
	T5B	ZB66K5E-TFE	575/3/60	14.3	80	2	630	2.8	20.7	35
TEZA085H8- *	T3B	ZB76K5E-TFC	208-230/3/60	43.0	239	2	630	7.0	60.8	100
	T4B	ZB76K5E-TFD	460/3/60	20.7	125	2	630	3.6	29.5	50
	T5B	ZB76K5E-TFE	575/3/60	14.6	80	2	630	2.8	21.1	35
TEZA110H8- *	T3B	ZB95K5E-TWC	208-230/3/60	52.9	298	2	1180	10.6	76.7	125
	T4B	ZB95K5E-TFD	460/3/60	25.0	150	2	1180	5.8	37.1	60
	T5B	ZB95K5E-TFE	575/3/60	20.8	123	2	1180	4.2	30.2	50
TEZA150H8- *	T3B	ZB114K5E-TWC	208-230/3/60	63.0	321	2	1180	10.6	89.4	150
	T4B	ZB114K5E-TFD	460/3/60	27.9	179	2	1180	5.8	40.7	60
	T5B	ZB114K5E-TWE	575/3/60	22.4	132	2	1180	4.2	32.2	50

* I = Indoor, H = Outdoor. Above listed RLA value is based on UL rating method and may differ from published compressor RLA data.

† Applies to units with variable speed EC motors, SmartSpeed (1- 15 HP only), or LIMITROL+ (5+ HP only). Contact factory for details.

ELECTRICAL DATA
Models with EC Motor(s)[†] (cont'd)

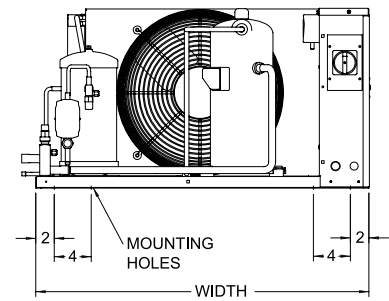
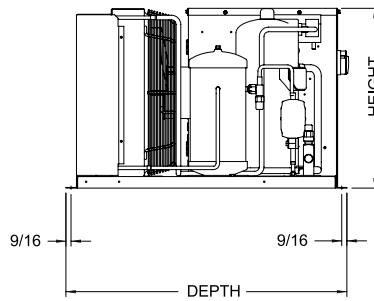
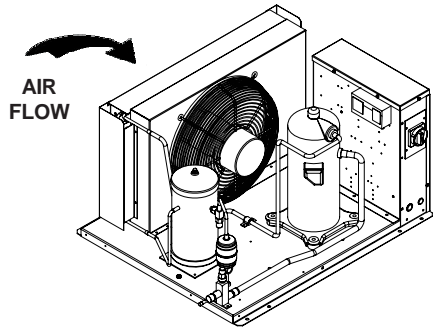
MODEL TEZA	COMPRESSOR MODEL NO.	POWER SUPPLY	COMPRESSOR		ECM CONDENSER FAN			UNIT		
			RLA	LRA	QTY	WATTS	FLA	MCA	MOP	
TEZA020L8-*	S2B	ZF06K4E-PFV	208-230/1/60	13.6	61	1	100	1.0	18.0	30
	T3B	ZF06K4E-TF5	208-230/3/60	9.3	55	1	100	1.0	12.6	20
TEZA025L8-*	S2B	ZF08K4E-PFV	208-230/1/60	16.4	73	1	175	2.0	22.5	35
	T3B	ZF08K4E-TF5	208-230/3/60	9.6	63	1	175	2.0	14.0	20
TEZA030L8-*	S2B	ZF09K4E-PFV	208-230/1/60	15.4	88	1	175	2.0	21.3	35
	T3B	ZF09K4E-TF5	208-230/3/60	9.9	77	1	175	2.0	14.4	20
TEZA035L8*	S2B	ZF11K4E-PFV	208-230/1/60	20.7	109	1	175	2.0	27.9	45
	T3B	ZF11K4E-TF5	208-230/3/60	12.7	88	1	175	2.0	17.9	30
TEZA045L8-*	S2B	ZF13K4E-PFV	208-230/1/60	25.0	129	1	315	3.5	34.8	50
	T3B	ZF13K4E-TF5	208-230/3/60	13.8	99	1	315	3.5	20.8	30
TEZA055L8-*	S2B	ZF15K4E-PFV	208-230/1/60	27.9	169	1	315	3.5	38.4	60
	T3B	ZF15K4E-TF5	208-230/3/60	18.9	123	1	315	3.5	27.1	40
	T4B	ZF15K4E-TFD	460/3/60	8.9	62	1	315	1.8	12.9	20
	T5B	ZF15K4E-TFE	575/3/60	6.4	50	1	315	1.4	9.4	15
TEZA060L8-*	T3B	ZF18K4E-TF5	208-230/3/60	21.8	156	1	315	3.5	30.8	50
	T4B	ZF18K4E-TFD	460/3/60	9.0	75	1	315	1.8	13.1	20
	T5B	ZF18K4E-TFE	575/3/60	7.9	54	1	315	1.4	11.3	15
TEZA075L8-*	T3B	ZF25K4E-TF5	208-230/3/60	26.7	224	1	315	3.5	36.9	60
	T4B	ZF25K4E-TFD	460/3/60	11.9	99	1	315	1.8	16.7	25
	T5B	ZF25K4E-TFE	575/3/60	9.1	82.4	1	315	1.4	12.8	20
TEZA100L8-*	T3B	ZF34K5E-TFC	208-230/3/60	37.1	239	1	315	3.5	49.9	80
	T4B	ZF34K5E-TFD	460/3/60	17.9	100	1	315	1.8	24.2	40
	T5B	ZF34K5E-TFE	575/3/60	14.3	100	1	315	1.4	19.3	30
TEZA130L8-*	T3B	ZF41K5E-TFC	208-230/3/60	42.1	248	2	630	7.0	59.6	100
	T4B	ZF41K5E-TFD	460/3/60	19.3	125	2	630	3.6	27.7	45
	T5B	ZF41K5E-TFE	575/3/60	15.6	100	2	630	2.8	22.3	35
TEZA150L8-*	T3B	ZF49K5E-TFC	208-230/3/60	50.7	339	2	630	7.0	70.4	100
	T4B	ZF49K5E-TFD	460/3/60	20.2	139	2	630	3.6	28.9	45
	T5B	ZF49K5E-TFE	575/3/60	18.2	123	2	630	2.8	25.6	40

* I = Indoor, H = Outdoor. Above listed RLA value is based on UL rating method and may differ from published compressor RLA data.

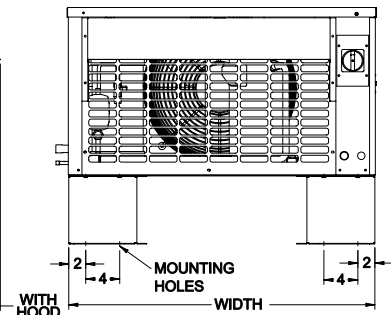
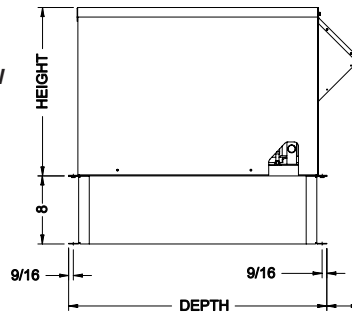
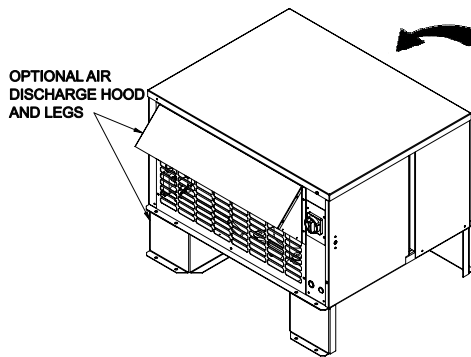
† Applies to units with variable speed EC motors, SmartSpeed (1/2 - 5 HP only), or LIMITROL+ (5+ HP only). Contact factory for details.

DIMENSIONAL DATA (1 Fan Models Small Chassis)

DRAWING #1

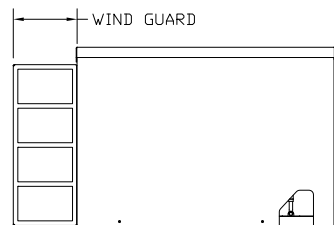
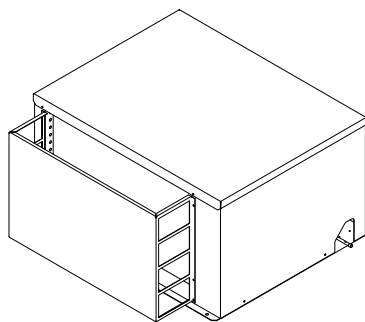


INDOOR DIMENSIONS



OUTDOOR DIMENSIONS

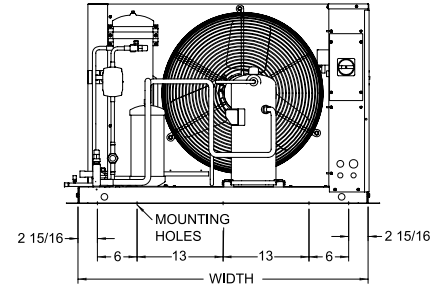
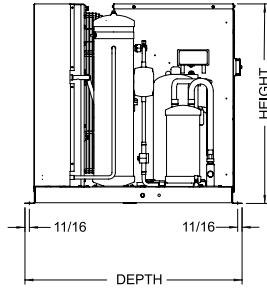
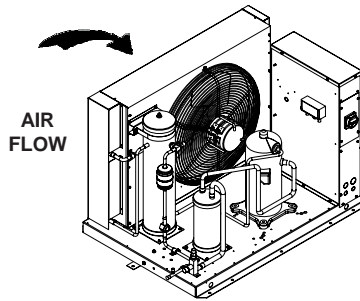
NOTE: Discharge hood, legs and wind guard are optional components



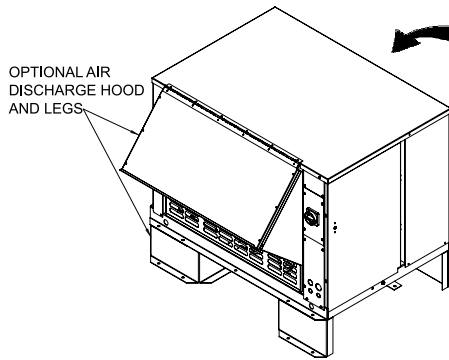
REFER TO PAGE 33 FOR
DIMENSIONAL DATA FOR SPECIFIC MODELS

**DIMENSIONAL DATA
(1 Fan Models Large Chassis)**

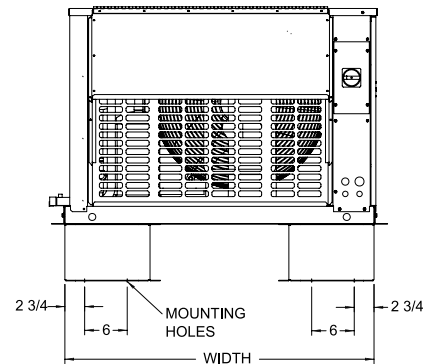
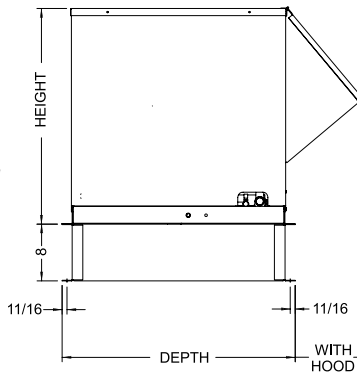
DRAWING #2



INDOOR DIMENSIONS

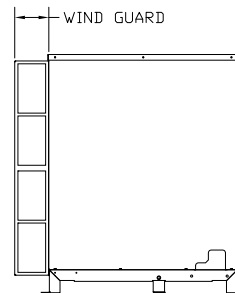
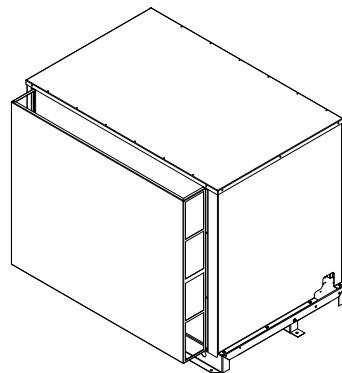


AIR FLOW



OUTDOOR DIMENSIONS

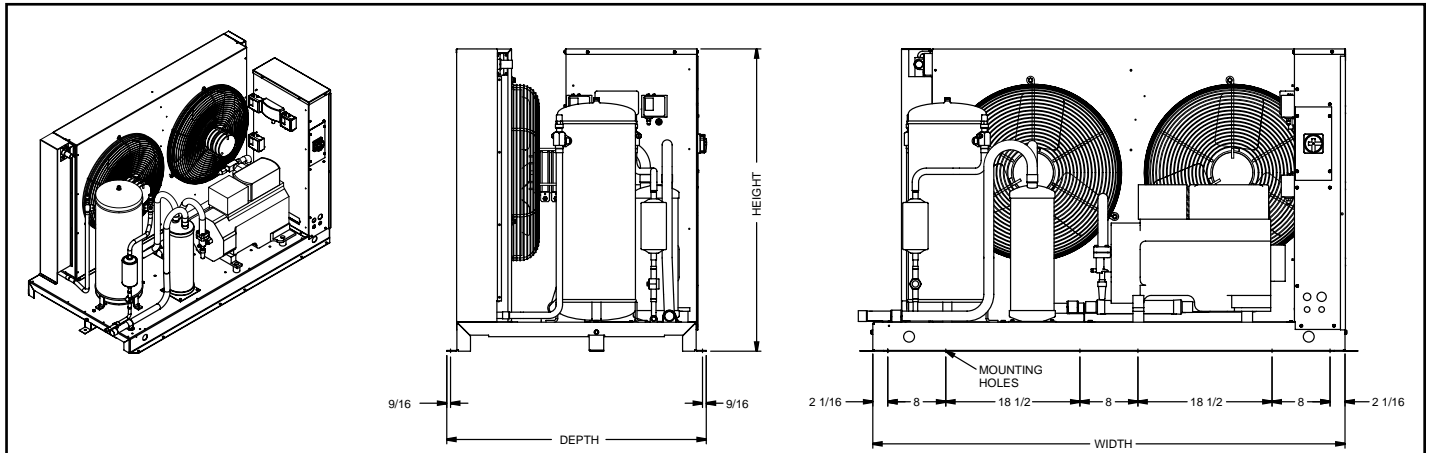
NOTE: Discharge hood, legs and wind guard are optional components



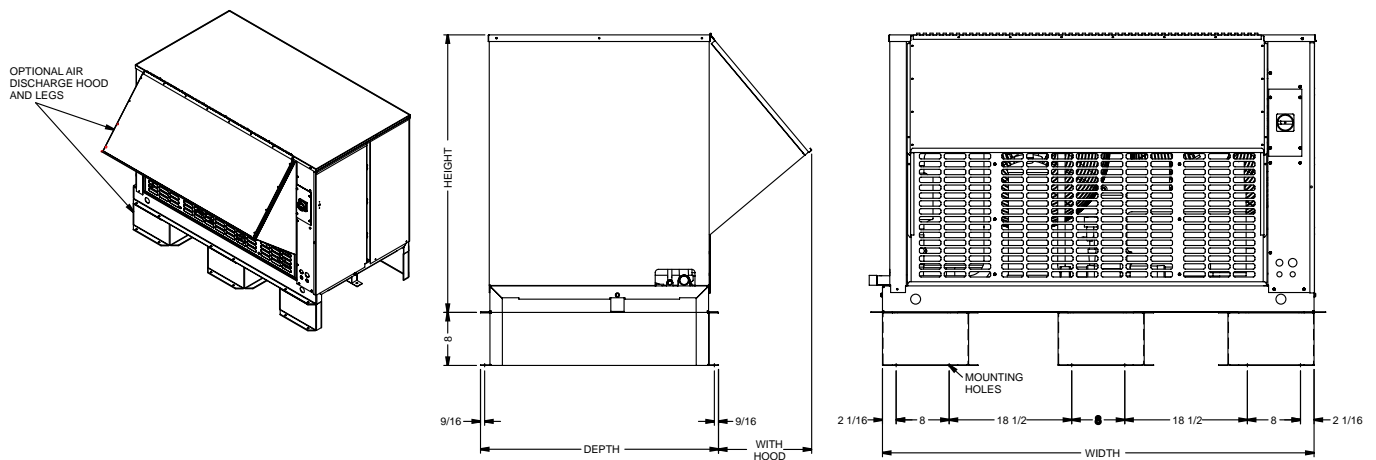
**REFER TO PAGE 33 FOR
DIMENSIONAL DATA FOR SPECIFIC MODELS**

**DIMENSIONAL DATA
(2 Fan Models Small Chassis)**

DRAWING #3

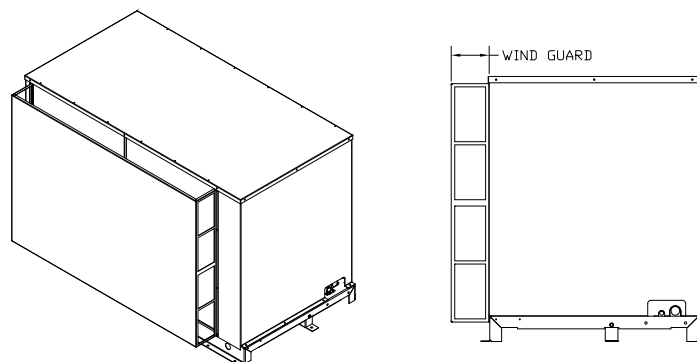


INDOOR DIMENSIONS



OUTDOOR DIMENSIONS

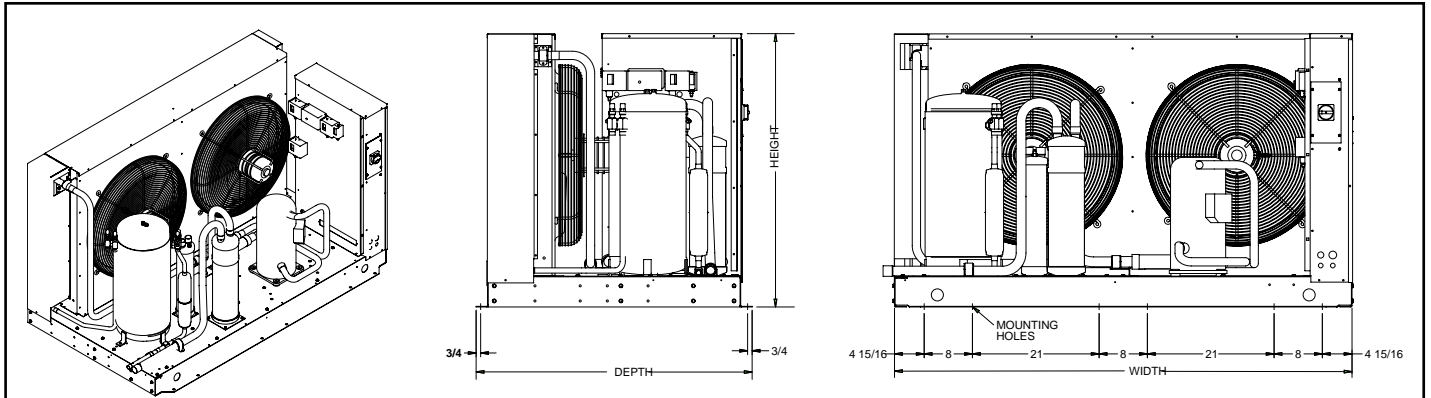
NOTE: Discharge hood and legs are optional components



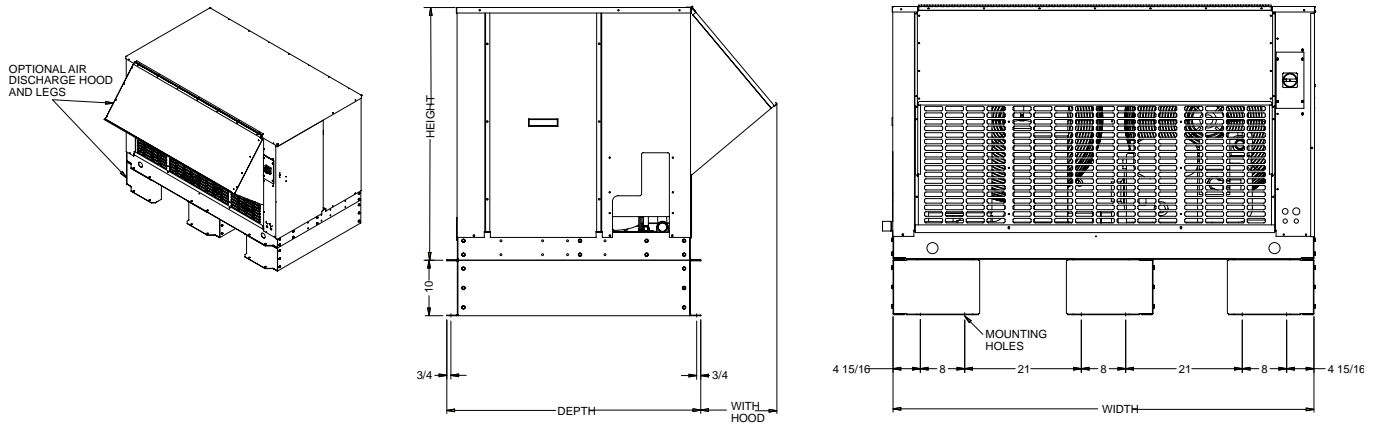
**REFER TO PAGE 33 FOR
DIMENSIONAL DATA FOR SPECIFIC MODELS**

**DIMENSIONAL DATA
(2 Fan Models Large Chassis)**

DRAWING #4

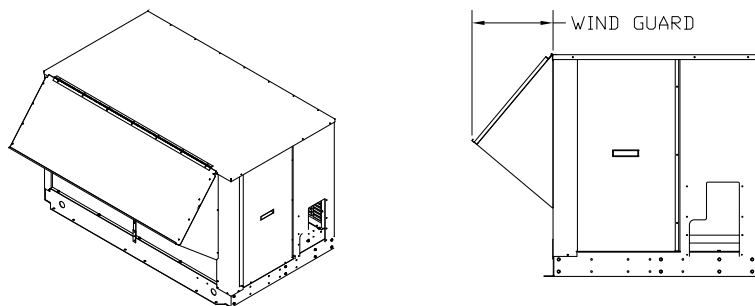


INDOOR DIMENSIONS



OUTDOOR DIMENSIONS

NOTE: Discharge hood, legs and wind guard are optional components



**REFER TO PAGE 33 FOR
DIMENSIONAL DATA FOR SPECIFIC MODELS**

MODEL TEZA	CHASSIS	DRAWING # (see table below)	OUTDOOR MODELS										INDOOR MODELS					
			WIDTH		DEPTH						HEIGHT		WIDTH		DEPTH		HEIGHT	
					Base		Hood, add:		Wind Guard, add:									
Inches	mm	Inches	mm	Inches	mm	Inches	mm	Inches	mm	Inches	mm	Inches	mm	Inches	mm	Inches	mm	
TEZA010H8	B	1	36 3/8	924	30 3/8	772	4	102	7	178	19 7/8	505	36 3/8	924	30 3/8	772	19 1/2	495
TEZA011H8		1	36 3/8	924	30 3/8	772	4	102	7	178	19 7/8	505	36 3/8	924	30 3/8	772	19 1/2	495
TEZA015H8		1	36 3/8	924	30 3/8	772	4	102	7	178	19 7/8	505	36 3/8	924	30 3/8	772	19 1/2	495
TEZA020H8		1	36 3/8	924	30 3/8	772	4	102	7	178	19 7/8	505	36 3/8	924	30 3/8	772	19 1/2	495
TEZA025H8		1	36 3/8	924	30 3/8	772	4	102	7	178	19 7/8	505	36 3/8	924	30 3/8	772	19 1/2	495
TEZA030H8	C	2	43 7/8	1114	32 7/8	835	10 1/8	257	8	203	30 3/8	772	43 7/8	1114	32 7/8	835	30 3/16	767
TEZA035H8		2	43 7/8	1114	32 7/8	835	10 1/8	257	8	203	30 3/8	772	43 7/8	1114	32 7/8	835	30 3/16	767
TEZA040H8		2	43 7/8	1114	32 7/8	835	10 1/8	257	8	203	30 3/8	772	43 7/8	1114	32 7/8	835	30 3/16	767
TEZA050H8		2	43 7/8	1114	32 7/8	835	10 1/8	257	8	203	30 3/8	772	43 7/8	1114	32 7/8	835	30 3/16	767
TEZA060H8		2	52 1/8	1324	35 7/8	911	7 1/8	181	6	152	41 7/8	1064	52 1/8	1324	35 7/8	911	41 11/16	1059
TEZA061H8	D	2	52 1/8	1324	35 7/8	911	7 1/8	181	6	152	41 7/8	1064	52 1/8	1324	35 7/8	911	41 11/16	1059
TEZA070H8		2	52 1/8	1324	35 7/8	911	7 1/8	181	6	152	41 7/8	1064	52 1/8	1324	35 7/8	911	41 11/16	1059
TEZA076H8	E	3	65 1/8	1654	35 7/8	911	7 1/8	181	6	152	41 7/8	1064	65 1/8	1654	35 7/8	911	41 11/16	1059
TEZA085H8		3	65 1/8	1654	35 7/8	911	7 1/8	181	6	152	41 7/8	1064	65 1/8	1654	35 7/8	911	41 11/16	1059
TEZA110H8	F	4	75 7/8	1927	45 3/4	1162	13 1/4	349	6	152	45 1/2	1156	75 7/8	1927	45 3/4	1162	45 17/32	1156
TEZA150H8		4	75 7/8	1927	45 3/4	1162	13 1/4	349	6	152	45 1/2	1156	75 7/8	1927	45 3/4	1162	45 17/32	1156
TEZA020L8		B	1	36 3/8	924	30 3/8	772	4	102	7	178	19 7/8	505	36 3/8	924	30 3/8	772	19 1/2
TEZA025L8	1		36 3/8	924	30 3/8	772	4	102	7	178	19 7/8	505	36 3/8	924	30 3/8	772	19 1/2	495
TEZA030L8	1		36 3/8	924	30 3/8	772	4	102	7	178	19 7/8	505	36 3/8	924	30 3/8	772	19 1/2	495
TEZA035L8	1		36 3/8	924	30 3/8	772	4	102	7	178	19 7/8	505	36 3/8	924	30 3/8	772	19 1/2	495
TEZA045L8	C	2	43 7/8	1114	32 7/8	835	10 1/8	257	8	203	30 3/8	772	43 7/8	1114	32 7/8	835	30 3/16	767
TEZA055L8		2	43 7/8	1114	32 7/8	835	10 1/8	257	8	203	30 3/8	772	43 7/8	1114	32 7/8	835	30 3/16	767
TEZA060L8		2	43 7/8	1114	32 7/8	835	10 1/8	257	8	203	30 3/8	772	43 7/8	1114	32 7/8	835	30 3/16	767
TEZA075L8	D	2	52 1/8	1324	35 7/8	911	7 1/8	181	6	152	41 7/8	1064	52 1/8	1324	35 7/8	911	41 11/16	1059
TEZA100L8		2	52 1/8	1324	35 7/8	911	7 1/8	181	6	152	41 7/8	1064	52 1/8	1324	35 7/8	911	41 11/16	1059
TEZA130L8	E	3	65 1/8	1654	35 7/8	911	7 1/8	181	6	152	41 7/8	1064	65 1/8	1654	35 7/8	911	41 11/16	1059
TEZA150L8		3	65 1/8	1654	35 7/8	911	7 1/8	181	6	152	41 7/8	1064	65 1/8	1654	35 7/8	911	41 11/16	1059

DRAWING #	PAGE #
1	29
2	30
3	31
4	32

ANNUAL WALK-IN ENERGY FACTOR (AWEF) RATINGS FOR HIGH/MEDIUM TEMP. APPLICATIONS

BASE UNIT MODEL TEZA	AWEF	
	OUTDOOR MODELS	INDOOR MODELS
TEZA010H8	7.01	5.74
TEZA011H8	7.17	5.78
TEZA015H8	7.34	5.82
TEZA020H8	7.48	5.28
TEZA025H8	8.04	5.89
TEZA030H8	8.06	6.11
TEZA035H8	8.05	6.01
TEZA040H8	8.31	6.07
TEZA050H8	8.41	6.09
TEZA060H8	8.96	6.77
TEZA061H8	8.97	6.64
TEZA070H8	8.39	6.32
TEZA076H8	8.26	6.38
TEZA085H8	8.18	6.24
TEZA110H8	7.99	6.21
TEZA150H8	7.96	6.09

MODEL TEZA	UNIT CONNECTIONS				R404A RECEIVER CAPACITY 90% FULL *		APPROX. SHIPPING WEIGHT			
	SUCTION (OD)		LIQUID (OD)		Lbs.	Kgs	OUTDOOR MODELS		INDOOR MODELS	
	Inches	mm	Inches	mm			Lbs.	Kgs	Lbs.	Kgs
TEZA010H8	5/8	16	3/8	10	11	4.9	285	129	265	120
TEZA011H8	5/8	16	3/8	10	11	4.9	285	129	265	120
TEZA015H8	7/8	22	3/8	10	11	4.9	285	129	265	120
TEZA020H8	7/8	22	3/8	10	11	4.9	280	127	300	136
TEZA025H8	7/8	22	1/2	13	14	6.3	290	132	320	145
TEZA030H8	7/8	22	1/2	13	22	9.9	380	172	410	186
TEZA035H8	7/8	22	1/2	13	22	9.9	380	172	415	188
TEZA040H8	1 1/8	29	1/2	13	22	9.9	390	177	420	191
TEZA050H8	1 1/8	29	1/2	13	22	9.9	390	177	425	193
TEZA060H8	1 1/8	29	5/8	16	30	13.8	430	195	470	213
TEZA061H8	1 1/8	29	5/8	16	30	13.6	510	231	465	211
TEZA070H8	1 3/8	35	5/8	16	30	13.6	470	213	515	234
TEZA076H8	1 3/8	35	5/8	16	54	24.5	580	263	635	288
TEZA085H8	1 3/8	35	5/8	16	54	24.5	590	268	645	293
TEZA110H8	1 3/8	35	7/8	22	76	34.5	745	338	690	313
TEZA150H8	1 5/8	41	7/8	22	76	34.5	845	383	790	358
TEZA020L8	7/8	22	3/8	10	11	4.9	290	132	315	143
TEZA025L8	7/8	22	3/8	10	14	6.3	310	141	335	152
TEZA030L8	7/8	22	3/8	10	14	6.3	390	177	425	193
TEZA035L8	7/8	22	1/2	13	14	6.3	400	181	430	195
TEZA045L8	1 1/8	29	1/2	13	22	9.9	400	181	435	197
TEZA055L8	1 1/8	29	1/2	13	22	9.9	400	181	440	200
TEZA060L8	1 1/8	29	1/2	13	22	10.0	450	204	485	220
TEZA075L8	1 3/8	35	5/8	16	30	13.8	460	209	495	225
TEZA100L8^	1 3/8	35	5/8	16	30	13.6	500	227	545	247
TEZA130L8	1 3/8	35	5/8	16	54	24.5	670	304	725	329
TEZA150L8	1 3/8	35	5/8	16	54	24.5	690	313	745	338

^ Options may be limited. Consult factory for details.

*** NOTE ON ALTERNATE REFRIGERANTS:**

* PUBLISHED RECEIVER CAPACITY IS BASED ON R404A ON MODELS USING "8" AS REFRIGERANT CODE. FOR ALTERNATE REFRIGERANTS, MULTIPLY R404A VALUE BY THE APPROPRIATE VALUE BELOW:

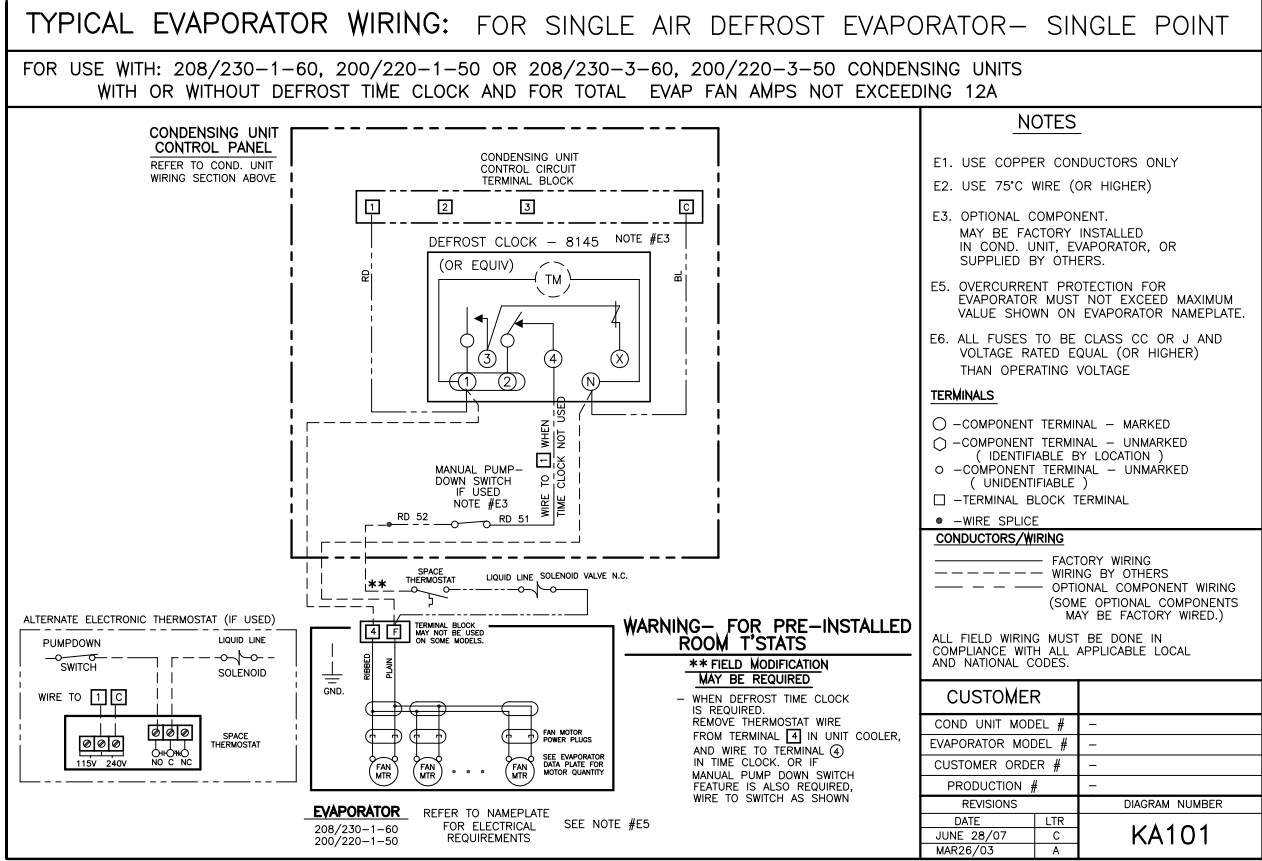
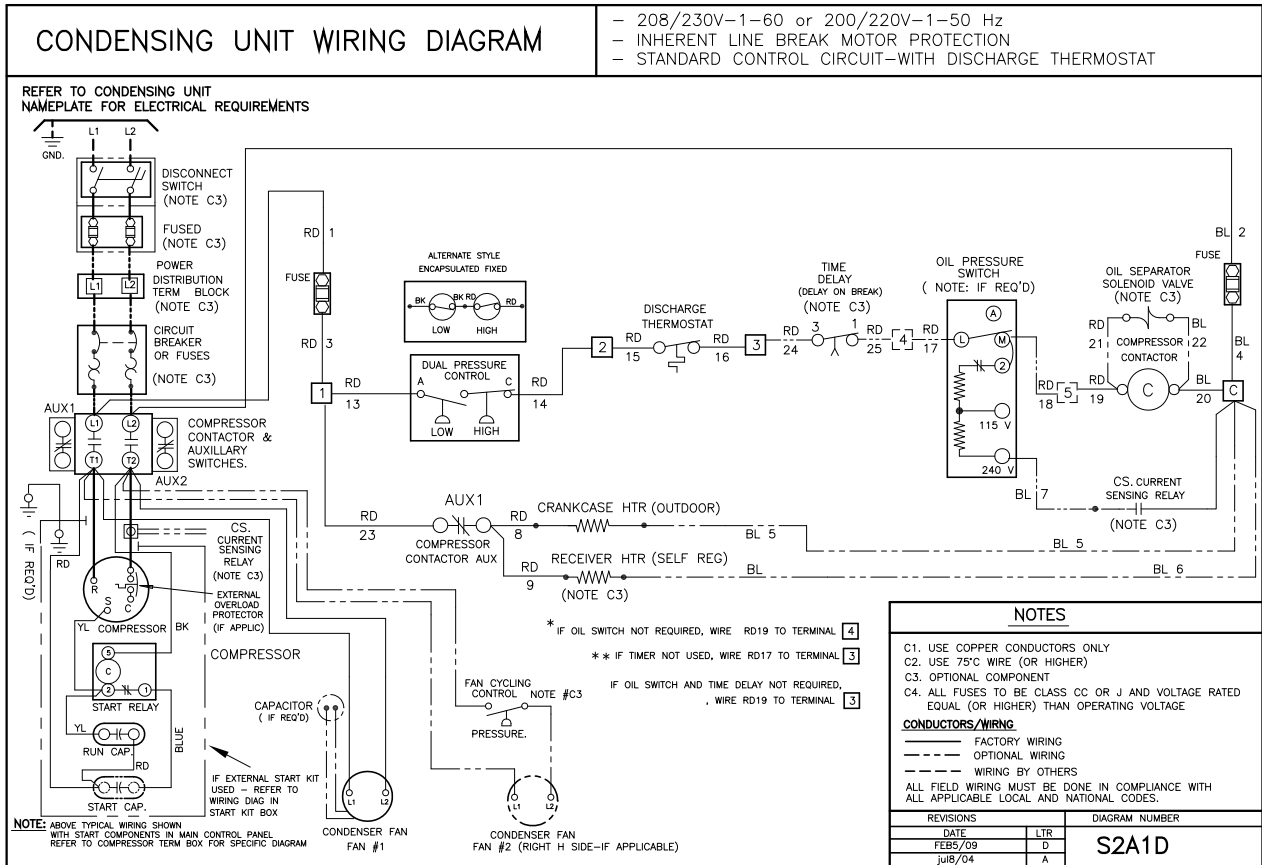
R407A	R407C	R448A	R507	R22
1.10	1.10	1.05	1.00	1.15

- For R449A, use R448A data.

TYPICAL SYSTEM WIRING DIAGRAM

208-230/1/60 Unit

with 230V Air Defrost Evaporator



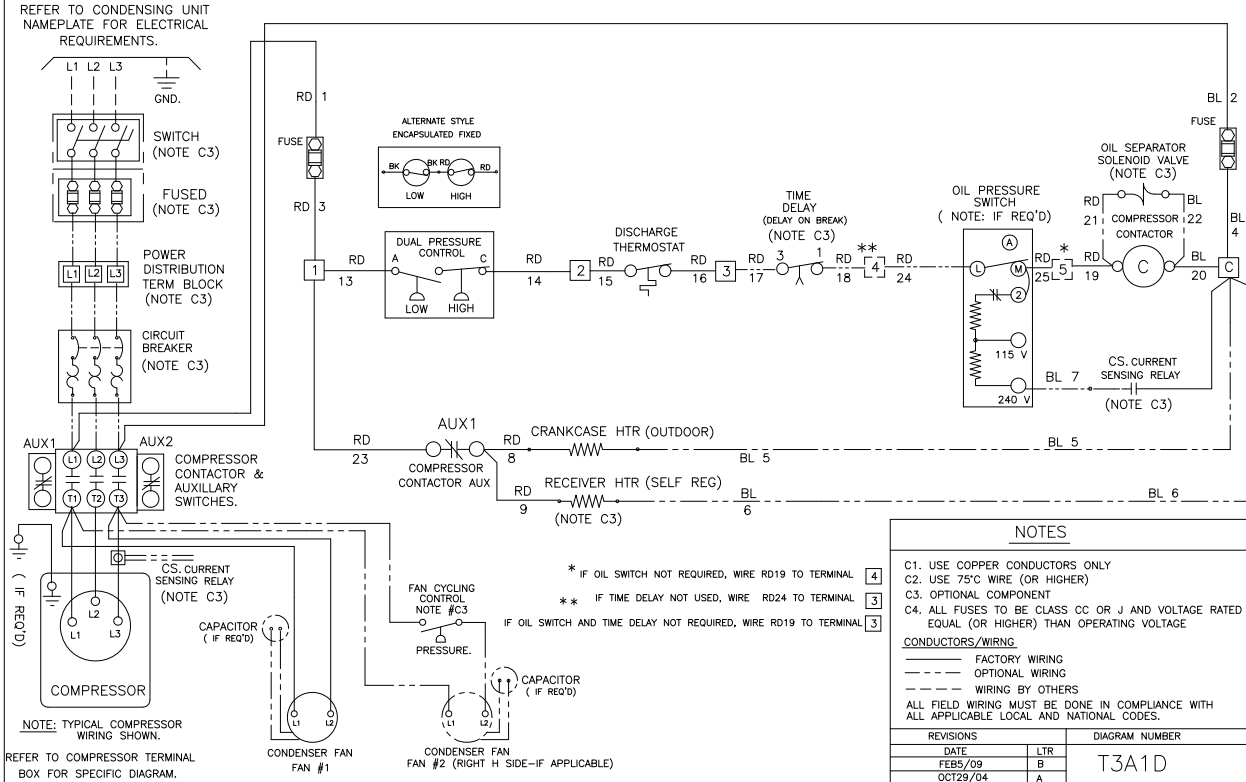
TYPICAL SYSTEM WIRING DIAGRAM

208-230/3/60 Unit

with 230V Electric Defrost Evaporator

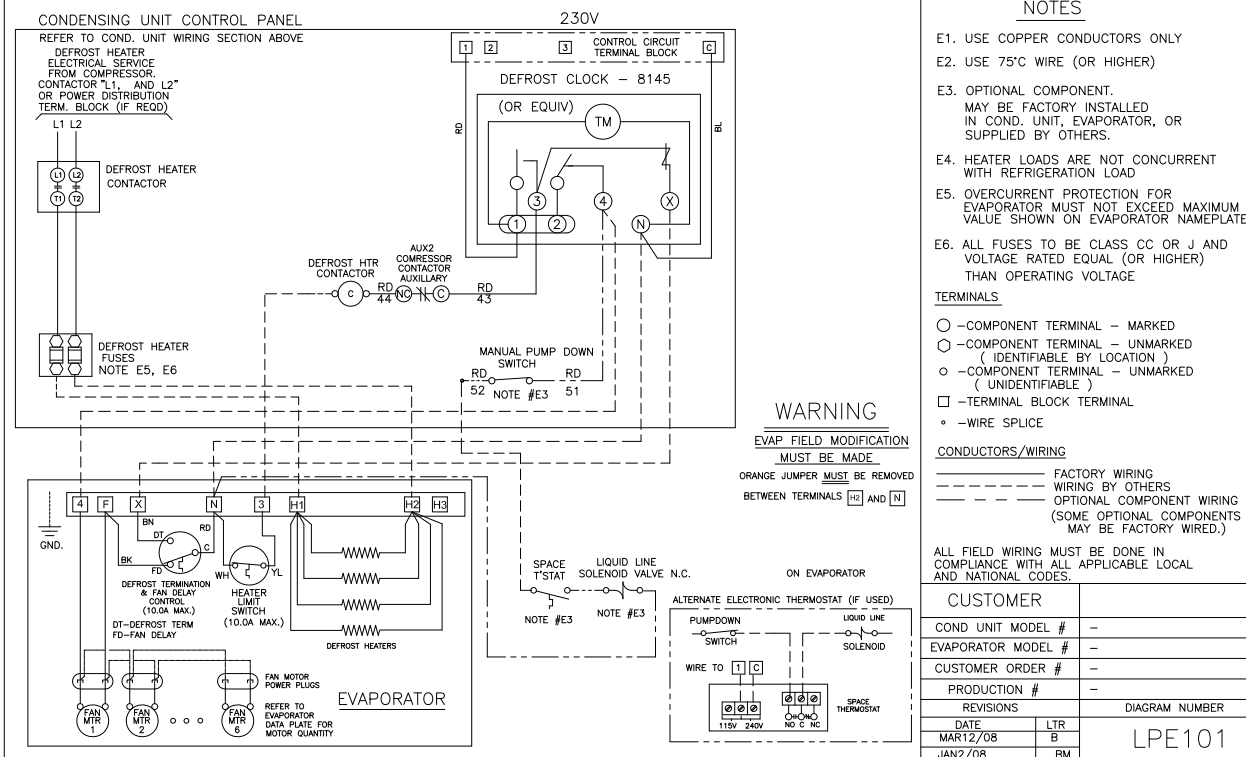
CONDENSING UNIT WIRING DIAGRAM

- 208/230V-3-60 or 200/220V-3-50 Hz
- INHERENT LINE BREAK MOTOR PROTECTION
- STANDARD CONTROL CIRCUIT - WITH DISCHARGE TSTAT



TYPICAL EVAPORATOR WIRING: FOR SINGLE LOW PROFILE ELECT 1 PHASE DEFROST EVAPORATOR-SINGLE POINT

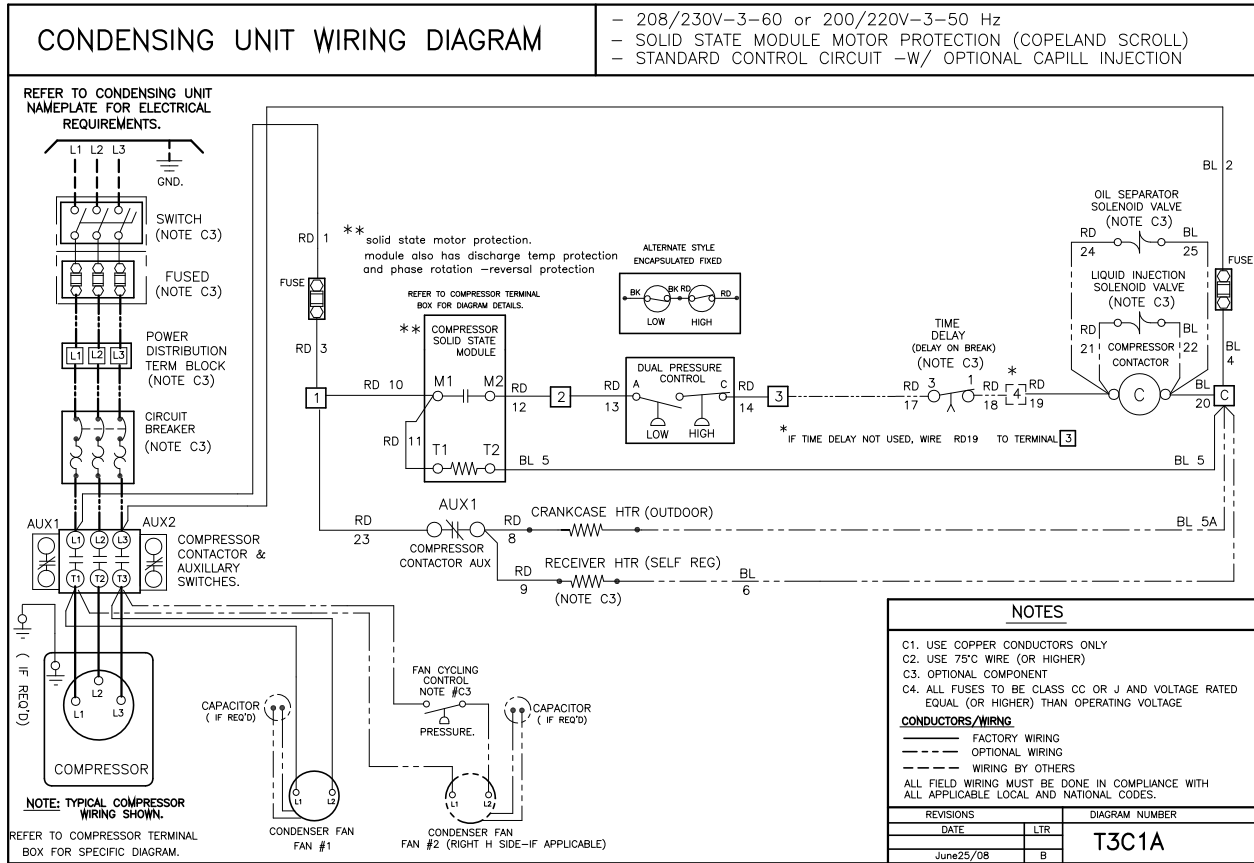
FOR USE WITH: 230V SINGLE OR THREE PHASE CONDENSING UNITS WITH DEFROST TIME CLOCK, AND DEFROST HEATER CONTACTOR



TYPICAL SYSTEM WIRING DIAGRAM

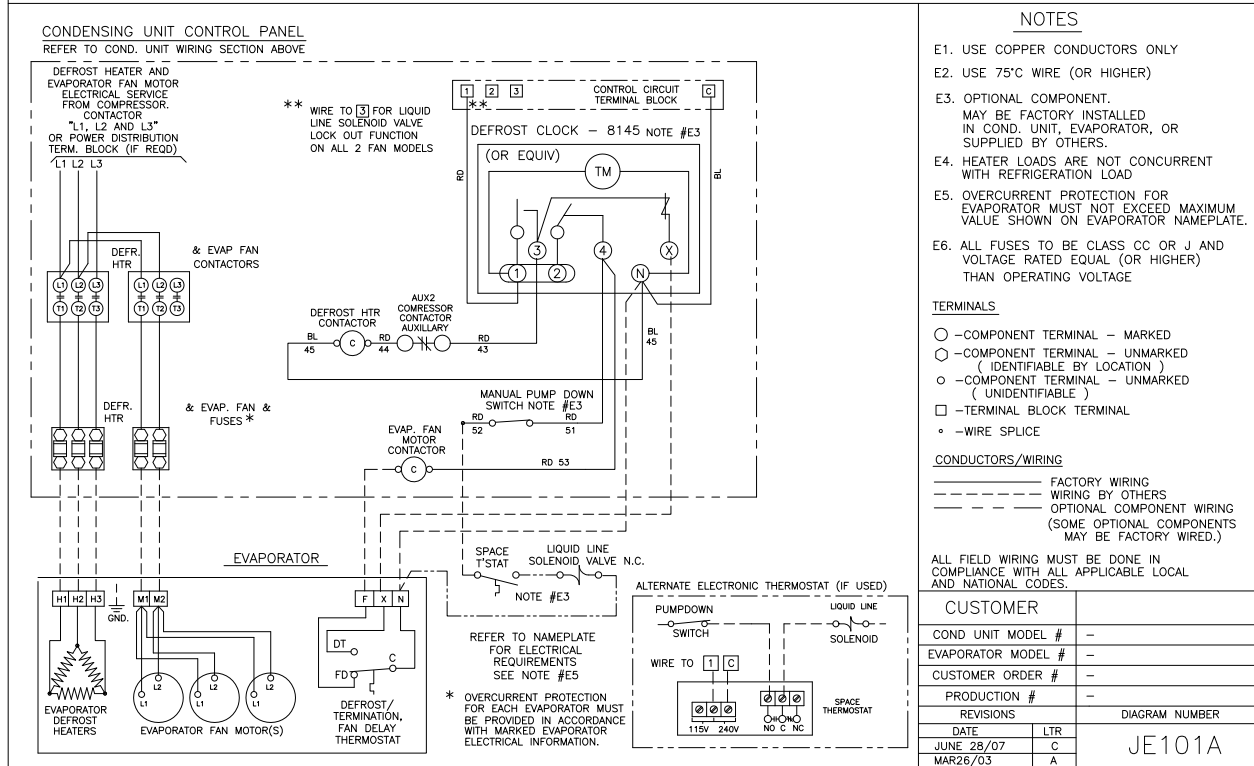
208-230/3/60 Unit

with 230V Electric Defrost Evaps



TYPICAL EVAPORATOR WIRING: FOR SINGLE MED PROFILE ELECT DEFROST EVAPORATOR- SINGLE POINT

FOR USE WITH: THREE PHASE CONDENSING UNITS WITH DEFROST TIME CLOCK, & EVAP FAN AND DEFR. HTR. CONTACTORS.




NOTES

NOTES

System	
Model Number	Date of Start-Up
Serial Number	Service Contractor
Refrigerant	Phone
Electrical Supply	Fax


 <p>PRODUCT SUPPORT</p>	<p><i>web:</i> t-rp.com/tez <i>email:</i> smcu@t-rp.com <i>call:</i> 1-844-893-3222 x521</p>
--	---

 <p>TROUBLESHOOTING</p>	<p><i>email:</i> troubleshooting@t-rp.com <i>call:</i> 1-844-893-3222 x529</p>
--	---

 <p>SERVICE PARTS</p>	<p><i>web:</i> t-rp.com/parts <i>email:</i> parts@t-rp.com <i>call:</i> 1-844-893-3222 x501</p>
--	---

 <p>WARRANTY</p>	<p><i>web:</i> t-rp.com/warranty <i>email:</i> warranty@t-rp.com <i>call:</i> 1-844-893-3222 x501</p>
--	---

 <p>ORDERS</p>	<p><i>email:</i> orders@t-rp.com <i>call:</i> 1-844-893-3222 x501</p>
---	---

 <p>SHIPPING</p>	<p><i>email:</i> shipping@t-rp.com <i>call:</i> 1-844-893-3222 x503</p>
---	---



NATIONAL REFRIGERATION &
 AIR CONDITIONING CANADA CORP.
 159 Roy Blvd.
 Brantford Ontario Canada N3R 7K1
 PHONE: (519) 751-0444 800-463-9517
 FAX (519) 753-1140 www.t-rp.com



Due to the manufacturer's policy of continuous product improvement, we reserve the right to make changes without notice.