



TQH-Line Condensing Units

PRODUCT DATA & SPECIFICATIONS

Bulletin T40-TQH-PDS-9
Part # 1090655

Outdoor Air-Cooled
Hermetic Condensing Units

1/2 to 5 HP -
High, Medium, Extended Medium and
Low Temperature Refrigeration

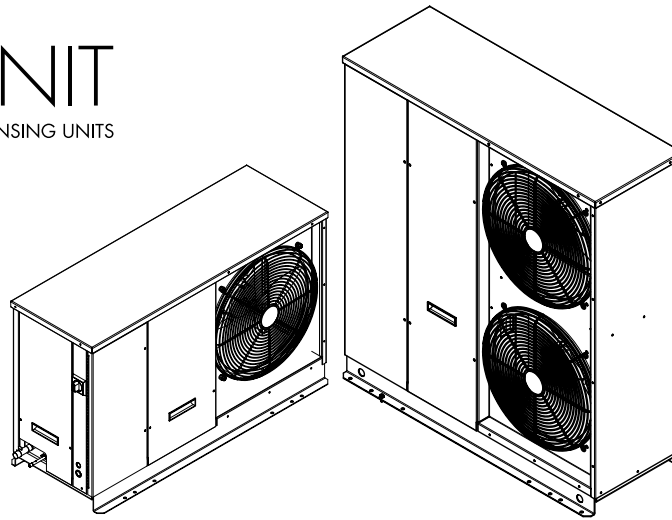
60
Hz


PRODUCT SUPPORT
 web: t-rp.com/tqh
 email: smcu@t-rp.com
 call: 1-844-893-3222 x521

scan:


QUIETUNIT

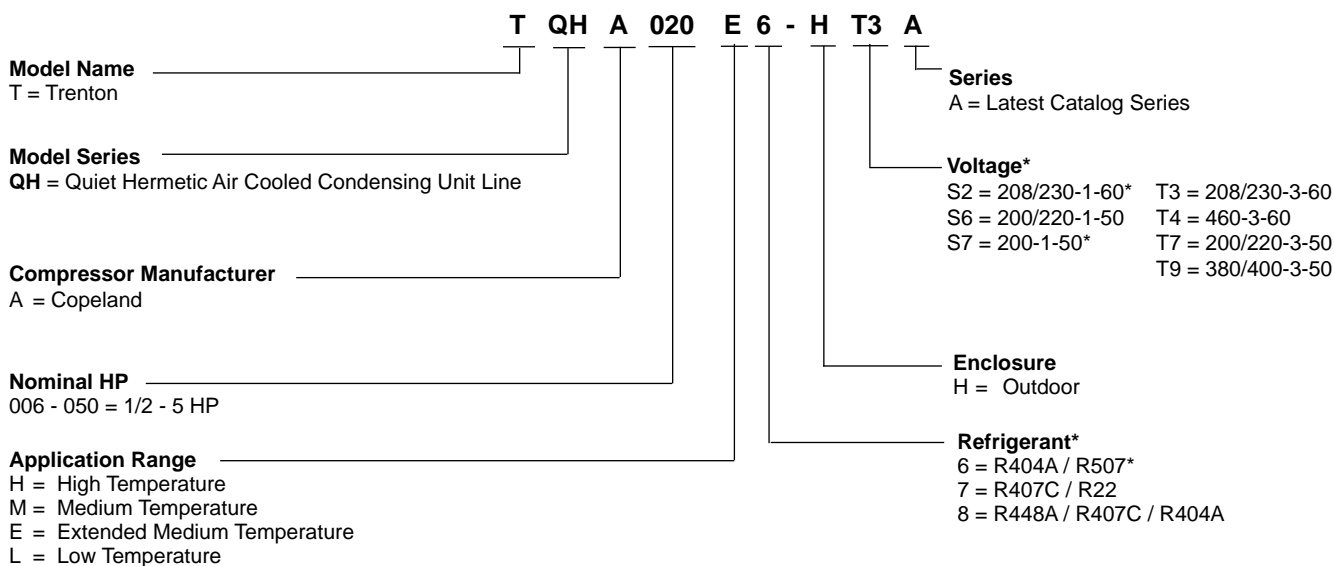
REFRIGERATION DUTY CONDENSING UNITS



CONTENTS

| | Page |
|--|---------|
| Nomenclature..... | 2 |
| Features and Options | 2 - 3 |
| Capacity Data (Imperial and <i>Metric</i>)..... | 3 - 9 |
| Electrical Data..... | 10 |
| Dimensional Data..... | 11 |
| Dimensional Data - Optional Wind Guard..... | 12 |
| Specifications..... | 13 |
| Annual Walk-In Energy Factor (AWEF) Ratings..... | 14 |
| Sound Data..... | 14 |
| Wiring Diagrams | 15 - 17 |
| Optional Wall Mount..... | 18 |
| Project Information..... | 19 |
| Product Support Resources..... | BACK |

NOMENCLATURE



STANDARD FEATURES

- Hermetic compressors
- Heavy duty weatherproof construction
 - Painted cabinet
 - Gold Coat™ fins
- High efficiency enhanced tube and fin condenser design
- High efficiency variable speed EC motor as head pressure control
 - Receiver with fusible plug and liquid shut-off valve
- Fixed high and low pressure control
 - Crankcase heater
- QuickVac evacuation and refrigerant recovery valves

OPTIONAL ACCESSORIES

- Liquid line filter drier and sight glass
 - Suction accumulator
 - Sealed suction filter
- Heated and insulated receiver - required in ambients below 10°F
 - Insulated suction line
 - Non-fused disconnect switch
 - Mechanical time clock
 - Time delay relay
- **Sound insulated compressor compartment ***
 - Wall mount kit

* see sound data table on page 14

OPTIONAL FEATURE PACKAGES (Factory Mounted)

Package A:

- Standard Features (see pg. 2)

Package B:

- Standard Features (see pg. 2)
- *Plus* Sealed Liquid Line Filter Drier & Sight Glass

Package C:

- Standard Features (see pg. 2)
- *Plus* Sealed Liquid Line Filter Drier & Sight Glass
- *Plus* Suction Accumulator
- *Plus* Mechanical Time Clock

Package D:

- Standard Features (see pg. 2)
- *Plus* Sealed Liquid Line Filter Drier & Sight Glass
- *Plus* Heated and Insulated Receiver
(required in ambients below 10°F)

Package E:

- Standard Features (see pg. 2)
- *Plus* Sealed Liquid Line Filter Drier & Sight Glass
- *Plus* Heated and Insulated Receiver
(required in ambients below 10°F)
- *Plus* Suction Accumulator
- *Plus* Mechanical Time Clock

Package F:

- Standard Features (see pg. 2)
- *Plus* Sealed Liquid Line Filter Drier & Sight Glass
- *Plus* Mechanical Time Clock

Package G:

- Standard Features (see pg. 2)
- *Plus* Sealed Liquid Line Filter Drier & Sight Glass
- *Plus* Heated and Insulated Receiver
(required in ambients below 10°F)
- *Plus* Mechanical Time Clock

Package H:

- Standard Features (see pg. 2)
- *Plus* Sealed Liquid Line Filter Drier & Sight Glass
- *Plus* Suction Accumulator
- *Plus* Heated and Insulated Receiver
(required in ambients below 10°F)

Package J:

- Standard Features (see pg. 2)
- *Plus* Sealed Liquid Line Filter Drier & Sight Glass
- *Plus* Compressor Compartment Sound Insulation

Package K:

- Standard Features (see pg. 2)
- *Plus* Sealed Liquid Line Filter Drier & Sight Glass
- *Plus* Compressor Compartment Sound Insulation
- *Plus* Mechanical Time Clock

CAPACITY DATA - R448A
MEDIUM TEMPERATURE

| MODEL TQH | SATURATED SUCTION TEMPERATURE | | CAPACITY BTU/H (WATTS) R448A AMBIENT TEMPERATURE °F (°C) | | | | | | |
|--|-------------------------------------|-------------|---|--------------|--------------|--------------|--------------|--------------|--------------|
| | ° F | ° C | 80 (26.6) | 85 (29.4) | 90 (32.2) | 95 (35.0) | 100 (37.8) | 105 (40.6) | 110 (43.3) |
| TQHA006M8 Compressor Model RST45C1E | 30 (-1.1) | | 8220 (2410) | 7900 (2320) | 7570 (2220) | 7260 (2130) | 6930 (2030) | 6620 (1940) | 6300 (1850) |
| | 25 (-3.9) | | 7320 (2150) | 7040 (2060) | 6740 (1980) | 6450 (1890) | 6160 (1810) | 5880 (1720) | 5590 (1640) |
| | 20 (-6.7) | | 6490 (1900) | 6230 (1830) | 5970 (1750) | 5710 (1670) | 5460 (1600) | 5210 (1530) | 4940 (1450) |
| | 15 (-9.4) | | 5730 (1680) | 5500 (1610) | 5270 (1540) | 5040 (1480) | 4820 (1410) | 4590 (1350) | 4360 (1280) |
| | 10 (-12.2) | | 5050 (1480) | 4840 (1420) | 4630 (1360) | 4430 (1300) | 4230 (1240) | 4020 (1180) | 3820 (1120) |
| | 5 (-15.0) | | 4420 (1300) | 4230 (1240) | 4050 (1190) | 3890 (1140) | 3700 (1080) | 3520 (1030) | 3340 (980) |
| | 0 (-17.8) | | 3860 (1130) | 3700 (1080) | 3540 (1040) | 3380 (990) | 3220 (940) | 3070 (900) | 2900 (850) |
| | -5 (-20.6) | | 3350 (980) | 3210 (940) | 3080 (900) | 2930 (860) | 2790 (820) | 2660 (780) | 2510 (740) |
| -10 (-23.3) | | 2900 (850) | 2780 (810) | 2660 (780) | 2540 (740) | 2400 (700) | 2280 (670) | 2160 (630) | |
| TQHA008M8 Compressor Model RST55C1E | 30 (-1.1) | | 9720 (2850) | 9310 (2730) | 8910 (2610) | 8530 (2500) | 8140 (2390) | 7740 (2270) | 7350 (2150) |
| | 25 (-3.9) | | 8650 (2540) | 8310 (2440) | 7940 (2330) | 7590 (2220) | 7250 (2120) | 6900 (2020) | 6550 (1920) |
| | 20 (-6.7) | | 7690 (2250) | 7360 (2160) | 7060 (2070) | 6750 (1980) | 6440 (1890) | 6130 (1800) | 5820 (1710) |
| | 15 (-9.4) | | 6800 (1990) | 6520 (1910) | 6240 (1830) | 5960 (1750) | 5700 (1670) | 5430 (1590) | 5160 (1510) |
| | 10 (-12.2) | | 6000 (1760) | 5750 (1690) | 5510 (1610) | 5270 (1540) | 5030 (1470) | 4800 (1410) | 4560 (1340) |
| | 5 (-15.0) | | 5270 (1540) | 5060 (1480) | 4850 (1420) | 4640 (1360) | 4430 (1300) | 4220 (1240) | 4010 (1180) |
| | 0 (-17.8) | | 4630 (1360) | 4440 (1300) | 4250 (1250) | 4060 (1190) | 3890 (1140) | 3700 (1080) | 3510 (1030) |
| | -5 (-20.6) | | 4040 (1180) | 3890 (1140) | 3720 (1090) | 3560 (1040) | 3390 (990) | 3230 (950) | 3070 (900) |
| -10 (-23.3) | | 3540 (1040) | 3380 (990) | 3240 (950) | 3100 (910) | 2940 (860) | 2800 (820) | 2650 (780) | |
| TQHA009M8 Compressor Model RST64C1E | 30 (-1.1) | | 11800 (3460) | 11300 (3310) | 10900 (3190) | 10400 (3050) | 10000 (2930) | 9610 (2820) | 9180 (2690) |
| | 25 (-3.9) | | 10500 (3080) | 10100 (2960) | 9730 (2850) | 9360 (2740) | 8980 (2630) | 8600 (2520) | 8210 (2410) |
| | 20 (-6.7) | | 9380 (2750) | 9040 (2650) | 8700 (2550) | 8370 (2450) | 8020 (2350) | 7690 (2250) | 7340 (2150) |
| | 15 (-9.4) | | 8370 (2450) | 8060 (2360) | 7760 (2270) | 7460 (2190) | 7150 (2100) | 6850 (2010) | 6540 (1920) |
| | 10 (-12.2) | | 7440 (2180) | 7170 (2100) | 6910 (2030) | 6640 (1950) | 6360 (1860) | 6100 (1790) | 5830 (1710) |
| | 5 (-15.0) | | 6600 (1930) | 6370 (1870) | 6130 (1800) | 5890 (1730) | 5650 (1660) | 5410 (1590) | 5170 (1520) |
| | 0 (-17.8) | | 5850 (1710) | 5640 (1650) | 5430 (1590) | 5210 (1530) | 5000 (1470) | 4790 (1400) | 4570 (1340) |
| | -5 (-20.6) | | 5160 (1510) | 4970 (1460) | 4780 (1400) | 4590 (1350) | 4400 (1290) | 4210 (1230) | 4020 (1180) |
| -10 (-23.3) | | 4520 (1320) | 4360 (1280) | 4190 (1230) | 4020 (1180) | 3850 (1130) | 3690 (1080) | 3520 (1030) | |
| TQHA010M8 Compressor Model RST70C1E | 30 (-1.1) | | 12300 (3600) | 11900 (3490) | 11400 (3340) | 10900 (3190) | 10500 (3080) | 10100 (2960) | 9630 (2820) |
| | 25 (-3.9) | | 11100 (3250) | 10700 (3140) | 10400 (3050) | 9940 (2910) | 9530 (2790) | 9120 (2670) | 8720 (2560) |
| | 20 (-6.7) | | 10100 (2960) | 9720 (2850) | 9350 (2740) | 8980 (2630) | 8600 (2520) | 8220 (2410) | 7840 (2300) |
| | 15 (-9.4) | | 9070 (2660) | 8750 (2560) | 8410 (2460) | 8070 (2370) | 7720 (2260) | 7360 (2160) | 7010 (2050) |
| | 10 (-12.2) | | 8130 (2380) | 7830 (2290) | 7520 (2200) | 7200 (2110) | 6890 (2020) | 6570 (1930) | 6240 (1830) |
| | 5 (-15.0) | | 7250 (2120) | 6960 (2040) | 6680 (1960) | 6390 (1870) | 6110 (1790) | 5810 (1700) | 5510 (1610) |
| | 0 (-17.8) | | 6410 (1880) | 6150 (1800) | 5900 (1730) | 5640 (1650) | 5370 (1570) | 5090 (1490) | 4820 (1410) |
| | -5 (-20.6) | | 5640 (1650) | 5410 (1590) | 5170 (1520) | 4920 (1440) | 4680 (1370) | 4430 (1300) | 4180 (1230) |
| -10 (-23.3) | | 4920 (1440) | 4710 (1380) | 4490 (1320) | 4270 (1250) | 4040 (1180) | 3810 (1120) | 3570 (1050) | |
| TQHA011M8 Compressor Model RST80C1E | 30 (-1.1) | | 13300 (3900) | 12900 (3780) | 12500 (3660) | 12000 (3520) | 11600 (3400) | 11000 (3220) | 10500 (3080) |
| | 25 (-3.9) | | 12200 (3580) | 11800 (3460) | 11300 (3310) | 10900 (3190) | 10400 (3050) | 9990 (2930) | 9510 (2790) |
| | 20 (-6.7) | | 11000 (3220) | 10600 (3110) | 10200 (2990) | 9840 (2880) | 9420 (2760) | 9000 (2640) | 8560 (2510) |
| | 15 (-9.4) | | 9930 (2910) | 9590 (2810) | 9220 (2700) | 8840 (2590) | 8450 (2480) | 8050 (2360) | 7650 (2240) |
| | 10 (-12.2) | | 8910 (2610) | 8590 (2520) | 8240 (2410) | 7900 (2320) | 7540 (2210) | 7170 (2100) | 6790 (1990) |
| | 5 (-15.0) | | 7950 (2330) | 7640 (2240) | 7330 (2150) | 7000 (2050) | 6670 (1950) | 6330 (1860) | 5990 (1760) |
| | 0 (-17.8) | | 7050 (2070) | 6760 (1980) | 6470 (1900) | 6160 (1810) | 5860 (1720) | 5540 (1620) | 5240 (1540) |
| | -5 (-20.6) | | 6200 (1820) | 5930 (1740) | 5660 (1660) | 5390 (1580) | 5100 (1490) | 4820 (1410) | 4540 (1330) |
| -10 (-23.3) | | 5410 (1590) | 5160 (1510) | 4910 (1440) | 4660 (1370) | 4400 (1290) | 4150 (1220) | 3900 (1140) | |
| TQHA013M8 Compressor Model RST97C1E | 30 (-1.1) | | 15200 (4450) | 14700 (4310) | 14100 (4130) | 13500 (3960) | 13000 (3810) | 12400 (3630) | 11900 (3490) |
| | 25 (-3.9) | | 14000 (4100) | 13400 (3930) | 12900 (3780) | 12400 (3630) | 11900 (3490) | 11300 (3310) | 10800 (3170) |
| | 20 (-6.7) | | 12700 (3720) | 12200 (3580) | 11800 (3460) | 11200 (3280) | 10800 (3170) | 10300 (3020) | 9840 (2880) |
| | 15 (-9.4) | | 11400 (3340) | 11000 (3220) | 10600 (3110) | 10200 (2990) | 9730 (2850) | 9300 (2730) | 8860 (2600) |
| | 10 (-12.2) | | 10300 (3020) | 9930 (2910) | 9530 (2790) | 9140 (2680) | 8740 (2560) | 8330 (2440) | 7930 (2320) |
| | 5 (-15.0) | | 9230 (2710) | 8870 (2600) | 8520 (2500) | 8150 (2390) | 7770 (2280) | 7400 (2170) | 7020 (2060) |
| | 0 (-17.8) | | 8200 (2400) | 7880 (2310) | 7540 (2210) | 7210 (2110) | 6870 (2010) | 6530 (1910) | 6170 (1810) |
| | -5 (-20.6) | | 7250 (2120) | 6950 (2040) | 6640 (1950) | 6330 (1860) | 6010 (1760) | 5690 (1670) | 5380 (1580) |
| -10 (-23.3) | | 6350 (1860) | 6080 (1780) | 5790 (1700) | 5500 (1610) | 5220 (1530) | 4910 (1440) | 4620 (1350) | |

NOTES:

- Above ratings are based on mean temperature.
- To convert to dew point ratings, use 0.95 multiplier.
- For R449A, use R448A data.

CAPACITY DATA - R407C
MEDIUM TEMPERATURE

| MODEL TQH | SATURATED SUCTION TEMP. | | CAPACITY BTU/H (WATTS) R407C AMBIENT TEMPERATURE °F (°C) | | | | | | | |
|--|-------------------------|-------------|---|--------------|--------------|--------------|--------------|--------------|--------------|--|
| | °F | °C | 80 (26.6) | 85 (29.4) | 90 (32.2) | 95 (35.0) | 100 (37.8) | 105 (40.6) | 110 (43.3) | |
| TQHA006M8 Compressor Model RST45C1E | 45 (7.2) | | 10700 (3140) | 10300 (3020) | 9900 (2900) | 9500 (2780) | 9110 (2670) | 8730 (2560) | 8330 (2440) | |
| | 40 (4.4) | | 9640 (2830) | 9280 (2720) | 8940 (2620) | 8580 (2510) | 8210 (2410) | 7860 (2300) | 7510 (2200) | |
| | 35 (1.7) | | 8650 (2540) | 8340 (2440) | 8010 (2350) | 7700 (2260) | 7370 (2160) | 7050 (2070) | 6730 (1970) | |
| | 30 (-1.1) | | 7740 (2270) | 7440 (2180) | 7150 (2100) | 6870 (2010) | 6580 (1930) | 6290 (1840) | 6000 (1760) | |
| | 25 (-3.9) | | 6880 (2020) | 6620 (1940) | 6360 (1860) | 6100 (1790) | 5850 (1710) | 5580 (1640) | 5320 (1560) | |
| | 20 (-6.7) | | 6090 (1780) | 5860 (1720) | 5630 (1650) | 5390 (1580) | 5160 (1510) | 4920 (1440) | 4690 (1370) | |
| | 15 (-9.4) | | 5370 (1570) | 5160 (1510) | 4950 (1450) | 4750 (1390) | 4540 (1330) | 4330 (1270) | 4120 (1210) | |
| 10 (-12.2) | | 4710 (1380) | 4540 (1330) | 4350 (1270) | 4160 (1220) | 3970 (1160) | 3780 (1110) | 3590 (1050) | | |
| TQHA008M8 Compressor Model RST55C1E | 45 (7.2) | | 12600 (3690) | 12200 (3580) | 11800 (3460) | 11200 (3280) | 10800 (3170) | 10300 (3020) | 9850 (2890) | |
| | 40 (4.4) | | 11400 (3340) | 11000 (3220) | 10600 (3110) | 10200 (2990) | 9730 (2850) | 9300 (2730) | 8870 (2600) | |
| | 35 (1.7) | | 10300 (3020) | 9880 (2900) | 9500 (2780) | 9120 (2670) | 8750 (2560) | 8360 (2450) | 7970 (2340) | |
| | 30 (-1.1) | | 9190 (2690) | 8850 (2590) | 8520 (2500) | 8170 (2390) | 7830 (2290) | 7480 (2190) | 7130 (2090) | |
| | 25 (-3.9) | | 8190 (2400) | 7900 (2320) | 7590 (2220) | 7290 (2140) | 6980 (2050) | 6670 (1950) | 6350 (1860) | |
| | 20 (-6.7) | | 7280 (2130) | 7010 (2050) | 6750 (1980) | 6470 (1900) | 6200 (1820) | 5920 (1730) | 5650 (1660) | |
| | 15 (-9.4) | | 6430 (1880) | 6200 (1820) | 5960 (1750) | 5720 (1680) | 5480 (1610) | 5240 (1540) | 4990 (1460) | |
| 10 (-12.2) | | 5660 (1660) | 5460 (1600) | 5250 (1540) | 5030 (1470) | 4820 (1410) | 4600 (1350) | 4380 (1280) | | |
| TQHA009M8 Compressor Model RST64C1E | 45 (7.2) | | 15300 (4480) | 14700 (4310) | 14200 (4160) | 13700 (4020) | 13000 (3810) | 12400 (3630) | 11900 (3490) | |
| | 40 (4.4) | | 13900 (4070) | 13300 (3900) | 12800 (3750) | 12300 (3600) | 11800 (3460) | 11200 (3280) | 10700 (3140) | |
| | 35 (1.7) | | 12500 (3660) | 12000 (3520) | 11600 (3400) | 11000 (3220) | 10600 (3110) | 10100 (2960) | 9630 (2820) | |
| | 30 (-1.1) | | 11200 (3280) | 10800 (3170) | 10400 (3050) | 9930 (2910) | 9500 (2780) | 9070 (2660) | 8640 (2530) | |
| | 25 (-3.9) | | 10000 (2930) | 9630 (2820) | 9250 (2710) | 8870 (2600) | 8490 (2490) | 8110 (2380) | 7720 (2260) | |
| | 20 (-6.7) | | 8890 (2610) | 8570 (2510) | 8230 (2410) | 7900 (2320) | 7550 (2210) | 7210 (2110) | 6870 (2010) | |
| | 15 (-9.4) | | 7880 (2310) | 7580 (2220) | 7290 (2140) | 6990 (2050) | 6690 (1960) | 6380 (1870) | 6080 (1780) | |
| 10 (-12.2) | | 6940 (2030) | 6680 (1960) | 6420 (1880) | 6150 (1800) | 5890 (1730) | 5620 (1650) | 5340 (1560) | | |
| TQHA010M8 Compressor Model RST70C1E | 45 (7.2) | | 16300 (4780) | 15600 (4570) | 15100 (4430) | 14500 (4250) | 13900 (4070) | 13300 (3900) | 12700 (3720) | |
| | 40 (4.4) | | 14700 (4310) | 14200 (4160) | 13700 (4020) | 13100 (3840) | 12600 (3690) | 12100 (3550) | 11400 (3340) | |
| | 35 (1.7) | | 13200 (3870) | 12800 (3750) | 12300 (3600) | 11900 (3490) | 11300 (3310) | 10900 (3190) | 10400 (3050) | |
| | 30 (-1.1) | | 12000 (3520) | 11600 (3400) | 11100 (3250) | 10700 (3140) | 10200 (2990) | 9790 (2870) | 9330 (2730) | |
| | 25 (-3.9) | | 10700 (3140) | 10300 (3020) | 9950 (2920) | 9570 (2800) | 9180 (2690) | 8790 (2580) | 8380 (2460) | |
| | 20 (-6.7) | | 9600 (2810) | 9240 (2710) | 8890 (2610) | 8560 (2510) | 8200 (2400) | 7850 (2300) | 7500 (2200) | |
| | 15 (-9.4) | | 8550 (2510) | 8230 (2410) | 7930 (2320) | 7620 (2230) | 7300 (2140) | 6990 (2050) | 6660 (1950) | |
| 10 (-12.2) | | 7580 (2220) | 7300 (2140) | 7020 (2060) | 6740 (1980) | 6460 (1890) | 6170 (1810) | 5890 (1730) | | |
| TQHA011M8 Compressor Model RST80C1E | 45 (7.2) | | 17400 (5100) | 16800 (4920) | 16200 (4750) | 15500 (4540) | 14900 (4370) | 14300 (4190) | 13500 (3960) | |
| | 40 (4.4) | | 15900 (4660) | 15200 (4450) | 14700 (4310) | 14100 (4130) | 13500 (3960) | 12900 (3780) | 12300 (3600) | |
| | 35 (1.7) | | 14300 (4190) | 13800 (4040) | 13200 (3870) | 12700 (3720) | 12200 (3580) | 11700 (3430) | 11100 (3250) | |
| | 30 (-1.1) | | 12900 (3780) | 12400 (3630) | 12000 (3520) | 11600 (3400) | 11000 (3220) | 10500 (3080) | 10000 (2930) | |
| | 25 (-3.9) | | 11600 (3400) | 11100 (3250) | 10700 (3140) | 10300 (3020) | 9900 (2900) | 9470 (2780) | 9020 (2640) | |
| | 20 (-6.7) | | 10400 (3050) | 10000 (2930) | 9620 (2820) | 9240 (2710) | 8860 (2600) | 8470 (2480) | 8070 (2370) | |
| | 15 (-9.4) | | 9260 (2710) | 8910 (2610) | 8580 (2510) | 8230 (2410) | 7900 (2320) | 7540 (2210) | 7190 (2110) | |
| 10 (-12.2) | | 8220 (2410) | 7910 (2320) | 7600 (2230) | 7290 (2140) | 6980 (2050) | 6670 (1950) | 6350 (1860) | | |
| TQHA013M8 Compressor Model RST97C1E | 45 (7.2) | | 20500 (6010) | 19700 (5770) | 18900 (5540) | 18200 (5330) | 17400 (5100) | 16700 (4890) | 15900 (4660) | |
| | 40 (4.4) | | 18600 (5450) | 17900 (5250) | 17200 (5040) | 16500 (4840) | 15900 (4660) | 15100 (4430) | 14400 (4220) | |
| | 35 (1.7) | | 16800 (4920) | 16200 (4750) | 15500 (4540) | 14900 (4370) | 14300 (4190) | 13700 (4020) | 13000 (3810) | |
| | 30 (-1.1) | | 15100 (4430) | 14600 (4280) | 14100 (4130) | 13500 (3960) | 12900 (3780) | 12400 (3630) | 11800 (3460) | |
| | 25 (-3.9) | | 13700 (4020) | 13100 (3840) | 12600 (3690) | 12200 (3580) | 11700 (3430) | 11100 (3250) | 10600 (3110) | |
| | 20 (-6.7) | | 12200 (3580) | 11800 (3460) | 11300 (3310) | 10900 (3190) | 10400 (3050) | 9960 (2920) | 9490 (2780) | |
| | 15 (-9.4) | | 10900 (3190) | 10500 (3080) | 10100 (2960) | 9700 (2840) | 9290 (2720) | 8880 (2600) | 8450 (2480) | |
| 10 (-12.2) | | 9690 (2840) | 9320 (2730) | 8970 (2630) | 8600 (2520) | 8230 (2410) | 7860 (2300) | 7480 (2190) | | |

NOTES:

- Above ratings are based on mean temperature.
- To convert to dew point ratings, use 0.95 multiplier.
- For R449A, use R448A data.

CAPACITY DATA - R407C
HIGH TEMPERATURE

| MODEL TQH | SATURATED SUCTION TEMP. | | CAPACITY BTU/H (WATTS) R407C AMBIENT TEMPERATURE °F (°C) | | | | | | | |
|--|-------------------------------|--------------|---|---------------|---------------|---------------|---------------|---------------|---------------|--|
| | ° F | ° C | 80 (26.6) | 85 (29.4) | 90 (32.2) | 95 (35.0) | 100 (37.8) | 105 (40.6) | 110 (43.3) | |
| TQHA015H7 Compressor Model CR18K6E* | 45 (7.2) | | 20800 (6100) | 20200 (5920) | 19400 (5690) | 18800 (5510) | 18100 (5300) | 17400 (5100) | 16700 (4890) | |
| | 40 (4.4) | | 18800 (5510) | 18300 (5360) | 17600 (5160) | 17000 (4980) | 16300 (4780) | 15600 (4570) | 15000 (4400) | |
| | 35 (1.7) | | 17000 (4980) | 16400 (4810) | 15900 (4660) | 15200 (4450) | 14600 (4280) | 14100 (4130) | 13400 (3930) | |
| | 30 (-1.1) | | 15200 (4450) | 14700 (4310) | 14200 (4160) | 13700 (4020) | 13000 (3810) | 12500 (3660) | 12000 (3520) | |
| | 25 (-3.9) | | 13700 (4020) | 13100 (3840) | 12600 (3690) | 12100 (3550) | 11600 (3400) | 11000 (3220) | 10500 (3080) | |
| | 20 (-6.7) | | 12100 (3550) | 11600 (3400) | 11100 (3250) | 10600 (3110) | 10190 (2990) | 9660 (2830) | 9140 (2680) | |
| | 15 (-9.4) | | 10600 (3110) | 10190 (2990) | 9770 (2860) | 9240 (2710) | 8820 (2580) | 8300 (2430) | 7880 (2310) | |
| 10 (-12.2) | | 9240 (2710) | 8820 (2580) | 8400 (2460) | 7980 (2340) | 7560 (2220) | 7140 (2090) | 6720 (1970) | | |
| TQHA020H7 Compressor Model CR24K6E* | 45 (7.2) | | 27000 (7910) | 26100 (7650) | 25200 (7390) | 24400 (7150) | 23400 (6860) | 22600 (6620) | 21600 (6330) | |
| | 40 (4.4) | | 24500 (7180) | 23600 (6920) | 22800 (6680) | 21900 (6420) | 21100 (6180) | 20300 (5950) | 19400 (5690) | |
| | 35 (1.7) | | 22100 (6480) | 21300 (6240) | 20600 (6040) | 19700 (5770) | 19000 (5570) | 18200 (5330) | 17400 (5100) | |
| | 30 (-1.1) | | 19700 (5770) | 19100 (5600) | 18400 (5390) | 17600 (5160) | 16900 (4950) | 16200 (4750) | 15400 (4510) | |
| | 25 (-3.9) | | 17600 (5160) | 17000 (4980) | 16400 (4810) | 15600 (4570) | 15000 (4400) | 14300 (4190) | 13700 (4020) | |
| | 20 (-6.7) | | 15600 (4570) | 15000 (4400) | 14400 (4220) | 13800 (4040) | 13100 (3840) | 12500 (3660) | 11900 (3490) | |
| | 15 (-9.4) | | 13800 (4040) | 13100 (3840) | 12600 (3690) | 12000 (3520) | 11400 (3340) | 10800 (3170) | 10290 (3020) | |
| 10 (-12.2) | | 12000 (3520) | 11400 (3340) | 10900 (3190) | 10290 (3020) | 9770 (2860) | 9240 (2710) | 8720 (2560) | | |
| TQHA025H7 Compressor Model CR32K6E* | 45 (7.2) | | 35000 (10260) | 33800 (9910) | 32800 (9610) | 31600 (9260) | 30300 (8880) | 29200 (8560) | 28000 (8210) | |
| | 40 (4.4) | | 31700 (9290) | 30700 (9000) | 29600 (8670) | 28600 (8380) | 27400 (8030) | 26400 (7740) | 25200 (7390) | |
| | 35 (1.7) | | 28700 (8410) | 27700 (8120) | 26700 (7820) | 25600 (7500) | 24600 (7210) | 23600 (6920) | 22600 (6620) | |
| | 30 (-1.1) | | 25700 (7530) | 24800 (7270) | 23900 (7000) | 22900 (6710) | 21900 (6420) | 21000 (6150) | 20100 (5890) | |
| | 25 (-3.9) | | 23000 (6740) | 22200 (6510) | 21200 (6210) | 20400 (5980) | 19500 (5710) | 18600 (5450) | 17600 (5160) | |
| | 20 (-6.7) | | 20400 (5980) | 19600 (5740) | 18800 (5510) | 18000 (5280) | 17100 (5010) | 16300 (4780) | 15400 (4510) | |
| | 15 (-9.4) | | 18000 (5280) | 17200 (5040) | 16400 (4810) | 15600 (4570) | 14900 (4370) | 14100 (4130) | 13300 (3900) | |
| 10 (-12.2) | | 15500 (4540) | 14900 (4370) | 14200 (4160) | 13400 (3930) | 12700 (3720) | 12000 (3520) | 11300 (3310) | | |
| TQHA030H7 Compressor Model CR38K6E* | 45 (7.2) | | 40800 (11960) | 39300 (11520) | 37600 (11020) | 35900 (10520) | 34100 (9990) | 32400 (9500) | 30800 (9030) | |
| | 40 (4.4) | | 37000 (10840) | 35400 (10370) | 33900 (9940) | 32200 (9440) | 30700 (9000) | 29100 (8530) | 27400 (8030) | |
| | 35 (1.7) | | 33300 (9760) | 31800 (9320) | 30300 (8880) | 28900 (8470) | 27400 (8030) | 25800 (7560) | 24400 (7150) | |
| | 30 (-1.1) | | 29800 (8730) | 28500 (8350) | 27100 (7940) | 25600 (7500) | 24300 (7120) | 22800 (6680) | 21400 (6270) | |
| | 25 (-3.9) | | 26500 (7770) | 25200 (7390) | 23900 (7000) | 22700 (6650) | 21300 (6240) | 20000 (5860) | 18700 (5480) | |
| | 20 (-6.7) | | 23300 (6830) | 22200 (6510) | 21000 (6150) | 19700 (5770) | 18600 (5450) | 17300 (5070) | 16100 (4720) | |
| | 15 (-9.4) | | 20400 (5980) | 19300 (5660) | 18200 (5330) | 17000 (4980) | 15900 (4660) | 14700 (4310) | 13700 (4020) | |
| 10 (-12.2) | | 17500 (5130) | 16600 (4860) | 15500 (4540) | 14400 (4220) | 13300 (3900) | 12300 (3600) | 11200 (3280) | | |
| TQHA035H7 Compressor Model CR42K6E* | 45 (7.2) | | 49200 (14420) | 47400 (13890) | 45500 (13330) | 43500 (12750) | 41500 (12160) | 39500 (11580) | 37400 (10960) | |
| | 40 (4.4) | | 44200 (12950) | 42500 (12460) | 40700 (11930) | 39000 (11430) | 37100 (10870) | 35100 (10290) | 33200 (9730) | |
| | 35 (1.7) | | 39600 (11610) | 38000 (11140) | 36300 (10640) | 34700 (10170) | 32900 (9640) | 31100 (9110) | 29300 (8590) | |
| | 30 (-1.1) | | 35300 (10350) | 33800 (9910) | 32200 (9440) | 30700 (9000) | 29000 (8500) | 27400 (8030) | 25700 (7530) | |
| | 25 (-3.9) | | 31300 (9170) | 29900 (8760) | 28500 (8350) | 27000 (7910) | 25400 (7440) | 23800 (6980) | 22400 (6560) | |
| | 20 (-6.7) | | 27500 (8060) | 26300 (7710) | 24900 (7300) | 23500 (6890) | 22100 (6480) | 20600 (6040) | 19100 (5600) | |
| | 15 (-9.4) | | 23900 (7000) | 22800 (6680) | 21500 (6300) | 20200 (5920) | 18900 (5540) | 17500 (5130) | 16200 (4750) | |
| 10 (-12.2) | | 20600 (6040) | 19500 (5710) | 18300 (5360) | 17100 (5010) | 15900 (4660) | 14600 (4280) | 13300 (3900) | | |
| TQHA040H7 Compressor Model CR53KQE* | 45 (7.2) | | 63200 (18520) | 60800 (17820) | 58300 (17090) | 55800 (16350) | 53100 (15560) | 50500 (14800) | 47800 (14010) | |
| | 40 (4.4) | | 56900 (16680) | 54600 (16000) | 52300 (15330) | 49900 (14620) | 47500 (13920) | 45000 (13190) | 42500 (12460) | |
| | 35 (1.7) | | 51000 (14950) | 48900 (14330) | 46700 (13690) | 44500 (13040) | 42200 (12370) | 39900 (11690) | 37600 (11020) | |
| | 30 (-1.1) | | 45500 (13330) | 43600 (12780) | 41500 (12160) | 39400 (11550) | 37300 (10930) | 35200 (10320) | 33000 (9670) | |
| | 25 (-3.9) | | 40300 (11810) | 38500 (11280) | 36600 (10730) | 34700 (10170) | 32700 (9580) | 30700 (9000) | 28700 (8410) | |
| | 20 (-6.7) | | 35500 (10400) | 33800 (9910) | 32000 (9380) | 30200 (8850) | 28400 (8320) | 26600 (7800) | 24700 (7240) | |
| | 15 (-9.4) | | 31000 (9090) | 29400 (8620) | 27700 (8120) | 26000 (7620) | 24400 (7150) | 22600 (6620) | 20900 (6130) | |
| 10 (-12.2) | | 26700 (7820) | 25200 (7390) | 23600 (6920) | 22100 (6480) | 20400 (5980) | 18800 (5510) | 17200 (5040) | | |
| TQHA050H7 Compressor Model CRNQ-050E* | 45 (7.2) | | 74200 (21750) | 71200 (20870) | 68000 (19930) | 65000 (19050) | 62000 (18170) | 58800 (17230) | 55800 (16350) | |
| | 40 (4.4) | | 67500 (19780) | 64700 (18960) | 61800 (18110) | 59000 (17290) | 56200 (16470) | 53200 (15590) | 50400 (14770) | |
| | 35 (1.7) | | 61100 (17910) | 58500 (17140) | 55900 (16380) | 53200 (15590) | 50500 (14800) | 47900 (14040) | 45400 (13310) | |
| | 30 (-1.1) | | 55000 (16120) | 52500 (15390) | 50100 (14680) | 47700 (13980) | 45300 (13280) | 42800 (12540) | 40400 (11840) | |
| | 25 (-3.9) | | 49100 (14390) | 46900 (13740) | 44600 (13070) | 42400 (12430) | 40200 (11780) | 38000 (11140) | 35800 (10490) | |
| | 20 (-6.7) | | 43700 (12810) | 41600 (12190) | 39500 (11580) | 37400 (10960) | 35400 (10370) | 33400 (9790) | 31400 (9200) | |
| | 15 (-9.4) | | 38500 (11280) | 36500 (10700) | 34700 (10170) | 32800 (9610) | 30900 (9060) | 29100 (8530) | 27300 (8000) | |
| 10 (-12.2) | | 33700 (9880) | 31900 (9350) | 30100 (8820) | 28500 (8350) | 26700 (7820) | 25100 (7360) | 23400 (6860) | | |

NOTES: - Above ratings are based on mean temperature.

- To convert to dew point ratings, use 0.95 multiplier.

* Not suitable for R448A

CAPACITY DATA - R404A R507
MEDIUM TEMPERATURE

| MODEL TQH | SATURATED SUCTION TEMPERATURE | | CAPACITY BTU/H (WATTS) R404A R507 | | | | | | | | | AMBIENT TEMPERATURE °F (°C) | |
|---|-------------------------------|-------------|-----------------------------------|--------------|--------------|--------------|--------------|--------------|--------------|--|--|-----------------------------|--|
| | ° F | ° C | 80 (26.6) | 85 (29.4) | 90 (32.2) | 95 (35.0) | 100 (37.8) | 105 (40.6) | 110 (43.3) | | | | |
| TQHA006M8 Compressor Model RST45C1E | 30 (-1.1) | | 8230 (2410) | 7900 (2320) | 7550 (2210) | 7190 (2110) | 6840 (2000) | 6470 (1900) | 6100 (1790) | | | | |
| | 25 (-3.9) | | 7500 (2200) | 7190 (2110) | 6880 (2020) | 6550 (1920) | 6220 (1820) | 5890 (1730) | 5550 (1630) | | | | |
| | 20 (-6.7) | | 6800 (1990) | 6500 (1900) | 6200 (1820) | 5900 (1730) | 5600 (1640) | 5300 (1550) | 5000 (1470) | | | | |
| | 15 (-9.4) | | 6100 (1790) | 5900 (1730) | 5600 (1640) | 5400 (1580) | 5100 (1490) | 4800 (1410) | 4500 (1320) | | | | |
| | 10 (-12.2) | | 5500 (1610) | 5300 (1550) | 5000 (1470) | 4800 (1410) | 4600 (1350) | 4300 (1260) | 4000 (1170) | | | | |
| | 5 (-15.0) | | 4900 (1440) | 4700 (1380) | 4500 (1320) | 4300 (1260) | 4100 (1200) | 3800 (1110) | 3600 (1060) | | | | |
| | 0 (-17.8) | | 4400 (1290) | 4200 (1230) | 4000 (1170) | 3800 (1110) | 3600 (1060) | 3400 (1000) | 3200 (940) | | | | |
| | -5 (-20.6) | | 3800 (1110) | 3700 (1080) | 3500 (1030) | 3300 (970) | 3200 (940) | 3000 (880) | 2800 (820) | | | | |
| -10 (-23.3) | | 3400 (1000) | 3200 (940) | 3100 (910) | 2900 (850) | 2800 (820) | 2600 (760) | 2400 (700) | | | | | |
| TQHA008M8 Compressor Model RST55C1E | 30 (-1.1) | | 9860 (2890) | 9460 (2770) | 9060 (2660) | 8650 (2540) | 8240 (2410) | 7820 (2290) | 7410 (2170) | | | | |
| | 25 (-3.9) | | 8970 (2630) | 8600 (2520) | 8230 (2410) | 7860 (2300) | 7500 (2200) | 7120 (2090) | 6740 (1980) | | | | |
| | 20 (-6.7) | | 8100 (2370) | 7800 (2290) | 7500 (2200) | 7100 (2080) | 6800 (1990) | 6400 (1880) | 6100 (1790) | | | | |
| | 15 (-9.4) | | 7300 (2140) | 7000 (2050) | 6700 (1960) | 6400 (1880) | 6100 (1790) | 5800 (1700) | 5500 (1610) | | | | |
| | 10 (-12.2) | | 6600 (1930) | 6300 (1850) | 6100 (1790) | 5800 (1700) | 5500 (1610) | 5200 (1520) | 4900 (1440) | | | | |
| | 5 (-15.0) | | 5900 (1730) | 5700 (1670) | 5400 (1580) | 5200 (1520) | 4900 (1440) | 4700 (1380) | 4400 (1290) | | | | |
| | 0 (-17.8) | | 5300 (1550) | 5100 (1490) | 4800 (1410) | 4600 (1350) | 4400 (1290) | 4200 (1230) | 3900 (1140) | | | | |
| | -5 (-20.6) | | 4700 (1380) | 4500 (1320) | 4300 (1260) | 4100 (1200) | 3900 (1140) | 3700 (1080) | 3500 (1030) | | | | |
| -10 (-23.3) | | 4100 (1200) | 3900 (1140) | 3800 (1110) | 3600 (1060) | 3400 (1000) | 3200 (940) | 3000 (880) | | | | | |
| TQHA009M8 Compressor Model RST64C1E | 30 (-1.1) | | 11400 (3340) | 11000 (3220) | 10600 (3110) | 10100 (2960) | 9660 (2830) | 9180 (2690) | 8700 (2550) | | | | |
| | 25 (-3.9) | | 10500 (3080) | 10100 (2960) | 9710 (2850) | 9300 (2730) | 8870 (2600) | 8440 (2470) | 7990 (2340) | | | | |
| | 20 (-6.7) | | 9600 (2810) | 9250 (2710) | 8880 (2600) | 8500 (2490) | 8110 (2380) | 7710 (2260) | 7300 (2140) | | | | |
| | 15 (-9.4) | | 8740 (2560) | 8420 (2470) | 8080 (2370) | 7730 (2270) | 7370 (2160) | 7010 (2050) | 6630 (1940) | | | | |
| | 10 (-12.2) | | 7920 (2320) | 7630 (2240) | 7320 (2150) | 7000 (2050) | 6670 (1950) | 6330 (1860) | 5990 (1760) | | | | |
| | 5 (-15.0) | | 7140 (2090) | 6870 (2010) | 6580 (1930) | 6290 (1840) | 5990 (1760) | 5680 (1660) | 5370 (1570) | | | | |
| | 0 (-17.8) | | 6390 (1870) | 6140 (1800) | 5880 (1720) | 5610 (1640) | 5340 (1560) | 5060 (1480) | 4780 (1400) | | | | |
| | -5 (-20.6) | | 5690 (1670) | 5460 (1600) | 5210 (1530) | 4970 (1460) | 4720 (1380) | 4470 (1310) | 4220 (1240) | | | | |
| -10 (-23.3) | | 5030 (1470) | 4810 (1410) | 4590 (1350) | 4360 (1280) | 4140 (1210) | 3910 (1150) | 3690 (1080) | | | | | |
| TQHA010M8 Compressor Model RST70C1E | 30 (-1.1) | | 12600 (3690) | 12100 (3550) | 11600 (3400) | 11100 (3250) | 10600 (3110) | 10000 (2930) | 9500 (2780) | | | | |
| | 25 (-3.9) | | 11500 (3370) | 11100 (3250) | 10600 (3110) | 10100 (2960) | 9670 (2830) | 9190 (2690) | 8690 (2550) | | | | |
| | 20 (-6.7) | | 10500 (3080) | 10100 (2960) | 9670 (2830) | 9240 (2710) | 8810 (2580) | 8370 (2450) | 7920 (2320) | | | | |
| | 15 (-9.4) | | 9520 (2790) | 9150 (2680) | 8770 (2570) | 8380 (2460) | 7980 (2340) | 7580 (2220) | 7160 (2100) | | | | |
| | 10 (-12.2) | | 8590 (2520) | 8250 (2420) | 7910 (2320) | 7550 (2210) | 7180 (2100) | 6810 (2000) | 6440 (1890) | | | | |
| | 5 (-15.0) | | 7710 (2260) | 7390 (2170) | 7080 (2070) | 6760 (1980) | 6430 (1880) | 6090 (1780) | 5740 (1680) | | | | |
| | 0 (-17.8) | | 6870 (2010) | 6580 (1930) | 6300 (1850) | 6010 (1760) | 5700 (1670) | 5400 (1580) | 5080 (1490) | | | | |
| | -5 (-20.6) | | 6090 (1780) | 5830 (1710) | 5570 (1630) | 5290 (1550) | 5020 (1470) | 4750 (1390) | 4450 (1300) | | | | |
| -10 (-23.3) | | 5360 (1570) | 5110 (1500) | 4870 (1430) | 4630 (1360) | 4380 (1280) | 4130 (1210) | 3860 (1130) | | | | | |
| TQHA011M8 Compressor Model RST80C1E | 30 (-1.1) | | 13500 (3960) | 13000 (3810) | 12500 (3660) | 12000 (3520) | 11400 (3340) | 10800 (3170) | 10300 (3020) | | | | |
| | 25 (-3.9) | | 12400 (3630) | 12000 (3520) | 11500 (3370) | 11000 (3220) | 10500 (3080) | 9920 (2910) | 9370 (2750) | | | | |
| | 20 (-6.7) | | 11400 (3340) | 10900 (3190) | 10500 (3080) | 10000 (2930) | 9540 (2800) | 9040 (2650) | 8520 (2500) | | | | |
| | 15 (-9.4) | | 10400 (3050) | 9970 (2920) | 9550 (2800) | 9110 (2670) | 8660 (2540) | 8190 (2400) | 7720 (2260) | | | | |
| | 10 (-12.2) | | 9410 (2760) | 9030 (2650) | 8640 (2530) | 8240 (2410) | 7820 (2290) | 7390 (2170) | 6950 (2040) | | | | |
| | 5 (-15.0) | | 8490 (2490) | 8150 (2390) | 7780 (2280) | 7410 (2170) | 7020 (2060) | 6630 (1940) | 6230 (1830) | | | | |
| | 0 (-17.8) | | 7630 (2240) | 7300 (2140) | 6970 (2040) | 6620 (1940) | 6270 (1840) | 5900 (1730) | 5540 (1620) | | | | |
| | -5 (-20.6) | | 6810 (2000) | 6510 (1910) | 6200 (1820) | 5880 (1720) | 5550 (1630) | 5230 (1530) | 4900 (1440) | | | | |
| -10 (-23.3) | | 6030 (1770) | 5760 (1690) | 5470 (1600) | 5180 (1520) | 4890 (1430) | 4590 (1350) | 4300 (1260) | | | | | |
| TQHA013M8 Compressor Model RST97C1E | 30 (-1.1) | | 15800 (4630) | 15200 (4450) | 14500 (4250) | 13900 (4070) | 13200 (3870) | 12500 (3660) | 11800 (3460) | | | | |
| | 25 (-3.9) | | 14600 (4280) | 14000 (4100) | 13400 (3930) | 12800 (3750) | 12200 (3580) | 11600 (3400) | 10900 (3190) | | | | |
| | 20 (-6.7) | | 13400 (3930) | 12900 (3780) | 12300 (3600) | 11800 (3460) | 11200 (3280) | 10600 (3110) | 10000 (2930) | | | | |
| | 15 (-9.4) | | 12200 (3580) | 11800 (3460) | 11300 (3310) | 10800 (3170) | 10200 (2990) | 9670 (2830) | 9120 (2670) | | | | |
| | 10 (-12.2) | | 11100 (3250) | 10700 (3140) | 10200 (2990) | 9740 (2850) | 9250 (2710) | 8760 (2570) | 8240 (2410) | | | | |
| | 5 (-15.0) | | 10000 (2930) | 9620 (2820) | 9210 (2700) | 8770 (2570) | 8330 (2440) | 7860 (2300) | 7400 (2170) | | | | |
| | 0 (-17.8) | | 8990 (2630) | 8620 (2530) | 8230 (2410) | 7830 (2290) | 7420 (2170) | 7000 (2050) | 6580 (1930) | | | | |
| | -5 (-20.6) | | 8000 (2340) | 7670 (2250) | 7310 (2140) | 6950 (2040) | 6570 (1930) | 6200 (1820) | 5810 (1700) | | | | |
| -10 (-23.3) | | 7080 (2070) | 6770 (1980) | 6450 (1890) | 6120 (1790) | 5780 (1690) | 5430 (1590) | 5080 (1490) | | | | | |

NOTES:

- Above ratings are based on mean temperature.
- To convert to dew point ratings, use 0.95 multiplier.
- For R449A, use R448A data.

CAPACITY DATA - R404A R507
EXTENDED MEDIUM TEMPERATURE

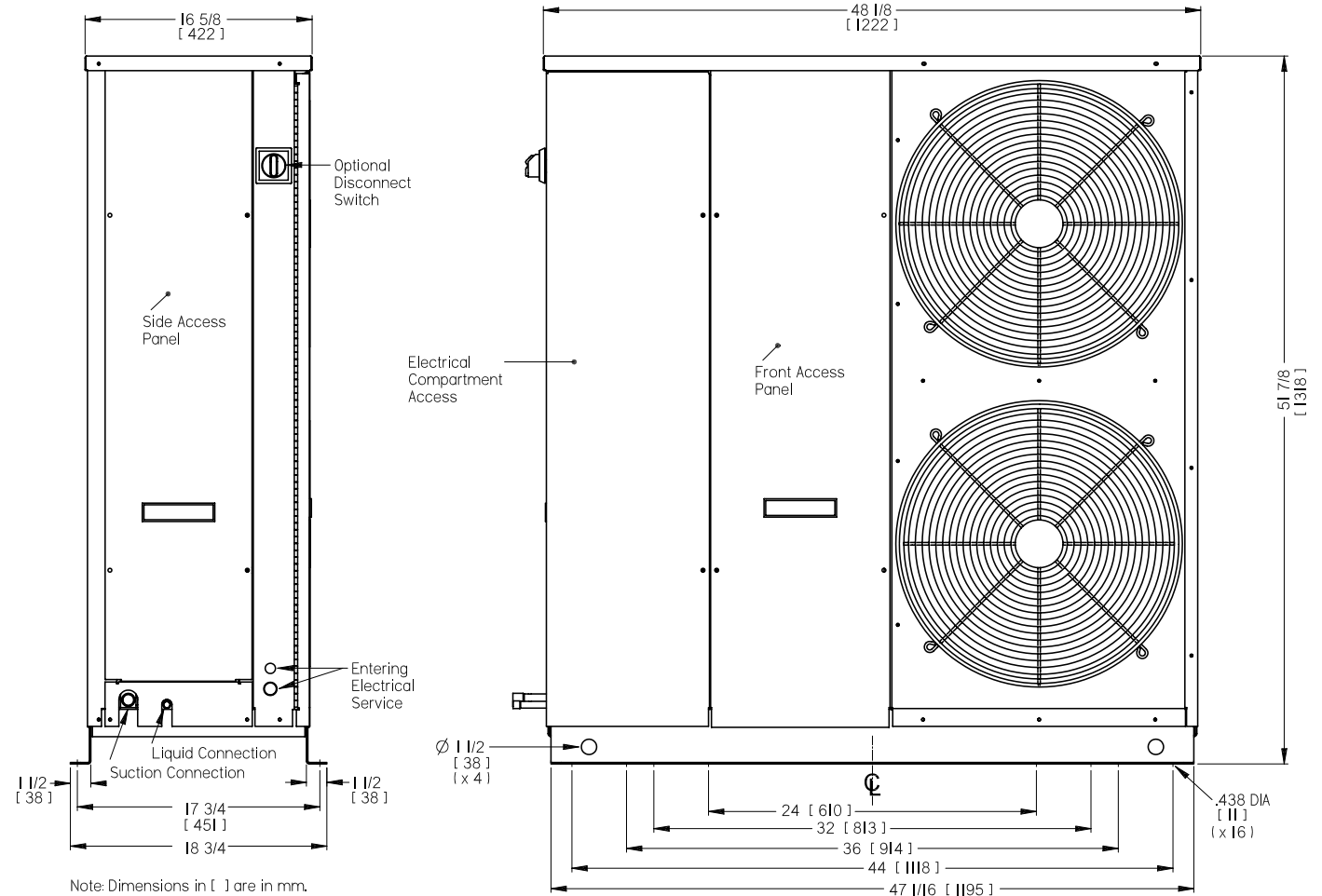
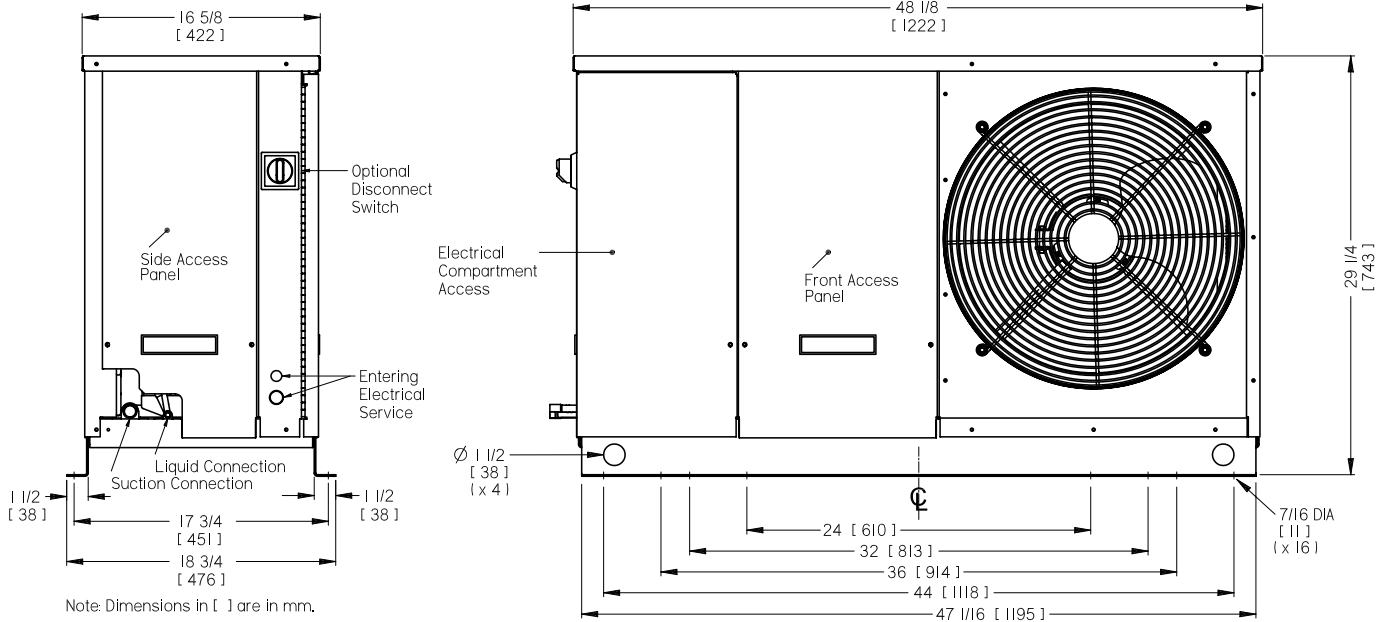
| MODEL TQH | SATURATED SUCTION TEMP. F° (C°) | CAPACITY BTU/H (WATTS) | | | | | | | | R404A | | R507 | | AMBIENT TEMPERATURE °F (°C) | | | | | | | | |
|---|---|------------------------|--------------|--------------|--------------|--------------|--------------|--------------|--------------|--------------|--------------|--------------|--------------|-----------------------------|--------------|--------------|--------------|--------------|--------------|--------------|--------------|--------------|
| | | 80 (26.6) | 85 (29.4) | 90 (32.2) | 95 (35.0) | 100 (37.8) | 105 (40.6) | 110 (43.3) | 80 (26.6) | 85 (29.4) | 90 (32.2) | 95 (35.0) | 100 (37.8) | 105 (40.6) | 110 (43.3) | 80 (26.6) | 85 (29.4) | 90 (32.2) | 95 (35.0) | 100 (37.8) | 105 (40.6) | 110 (43.3) |
| TQHA015E6 Compressor Model CS10K6E | 40 (4.4) | 24260 (7110) | 22980 (6735) | 21720 (6366) | 20460 (5996) | 19220 (5633) | 17960 (5264) | 16720 (4900) | 24260 (7110) | 22980 (6735) | 21720 (6366) | 20460 (5996) | 19220 (5633) | 17960 (5264) | 16720 (4900) | 24260 (7110) | 22980 (6735) | 21720 (6366) | 20460 (5996) | 19220 (5633) | 17960 (5264) | 16720 (4900) |
| | 35 (1.7) | 22070 (6468) | 20910 (6128) | 19740 (5785) | 18570 (5442) | 17420 (5105) | 16280 (4771) | 15120 (4431) | 22070 (6468) | 20910 (6128) | 19740 (5785) | 18570 (5442) | 17420 (5105) | 16280 (4771) | 15120 (4431) | 22070 (6468) | 20910 (6128) | 19740 (5785) | 18570 (5442) | 17420 (5105) | 16280 (4771) | 15120 (4431) |
| | 30 (-1.1) | 20350 (5964) | 19180 (5621) | 18020 (5281) | 16870 (4944) | 15730 (4610) | 14600 (4279) | 13470 (3948) | 20350 (5964) | 19180 (5621) | 18020 (5281) | 16870 (4944) | 15730 (4610) | 14600 (4279) | 13470 (3948) | 20350 (5964) | 19180 (5621) | 18020 (5281) | 16870 (4944) | 15730 (4610) | 14600 (4279) | 13470 (3948) |
| | 25 (-3.9) | 18530 (5431) | 17460 (5117) | 16390 (4803) | 15330 (4493) | 14270 (4182) | 13230 (3877) | 12190 (3573) | 18530 (5431) | 17460 (5117) | 16390 (4803) | 15330 (4493) | 14270 (4182) | 13230 (3877) | 12190 (3573) | 18530 (5431) | 17460 (5117) | 16390 (4803) | 15330 (4493) | 14270 (4182) | 13230 (3877) | 12190 (3573) |
| | 20 (-6.7) | 16740 (4906) | 15750 (4616) | 14770 (4329) | 13800 (4044) | 12830 (3760) | 11870 (3479) | 10910 (3197) | 16740 (4906) | 15750 (4616) | 14770 (4329) | 13800 (4044) | 12830 (3760) | 11870 (3479) | 10910 (3197) | 16740 (4906) | 15750 (4616) | 14770 (4329) | 13800 (4044) | 12830 (3760) | 11870 (3479) | 10910 (3197) |
| | 15 (-9.4) | 14980 (4390) | 14080 (4126) | 13190 (3866) | 12300 (3605) | 11410 (3344) | 10530 (3086) | 9660 (2831) | 14980 (4390) | 14080 (4126) | 13190 (3866) | 12300 (3605) | 11410 (3344) | 10530 (3086) | 9660 (2831) | 14980 (4390) | 14080 (4126) | 13190 (3866) | 12300 (3605) | 11410 (3344) | 10530 (3086) | 9660 (2831) |
| | 10 (-12.2) | 13280 (3892) | 12460 (3652) | 11640 (3411) | 10840 (3177) | 10030 (2940) | 9220 (2702) | 8420 (2468) | 13280 (3892) | 12460 (3652) | 11640 (3411) | 10840 (3177) | 10030 (2940) | 9220 (2702) | 8420 (2468) | 13280 (3892) | 12460 (3652) | 11640 (3411) | 10840 (3177) | 10030 (2940) | 9220 (2702) | 8420 (2468) |
| | 5 (-15) | 11640 (3411) | 10900 (3194) | 10160 (2978) | 9420 (2761) | 8690 (2547) | 7960 (2333) | 7230 (2119) | 11640 (3411) | 10900 (3194) | 10160 (2978) | 9420 (2761) | 8690 (2547) | 7960 (2333) | 7230 (2119) | 11640 (3411) | 10900 (3194) | 10160 (2978) | 9420 (2761) | 8690 (2547) | 7960 (2333) | 7230 (2119) |
| | 0 (-17.8) | 10070 (2951) | 9410 (2758) | 8740 (2561) | 8070 (2365) | 7410 (2172) | 6750 (1978) | 6090 (1785) | 10070 (2951) | 9410 (2758) | 8740 (2561) | 8070 (2365) | 7410 (2172) | 6750 (1978) | 6090 (1785) | 10070 (2951) | 9410 (2758) | 8740 (2561) | 8070 (2365) | 7410 (2172) | 6750 (1978) | 6090 (1785) |
| | -5 (-20.6) | 8190 (2400) | 7620 (2233) | 7050 (2066) | 6480 (1899) | 5910 (1732) | 5340 (1565) | 4770 (1398) | 8190 (2400) | 7620 (2233) | 7050 (2066) | 6480 (1899) | 5910 (1732) | 5340 (1565) | 4770 (1398) | 8190 (2400) | 7620 (2233) | 7050 (2066) | 6480 (1899) | 5910 (1732) | 5340 (1565) | 4770 (1398) |
| | -10 (-23.3) | 6890 (2019) | 6380 (1870) | 5870 (1720) | 5360 (1571) | 4840 (1418) | 4330 (1269) | 3810 (1117) | 6890 (2019) | 6380 (1870) | 5870 (1720) | 5360 (1571) | 4840 (1418) | 4330 (1269) | 3810 (1117) | 6890 (2019) | 6380 (1870) | 5870 (1720) | 5360 (1571) | 4840 (1418) | 4330 (1269) | 3810 (1117) |
| | -15 (-26.1) | 5700 (1671) | 5250 (1539) | 4790 (1404) | 4330 (1269) | 3870 (1134) | 3400 (996) | 2930 (859) | 5700 (1671) | 5250 (1539) | 4790 (1404) | 4330 (1269) | 3870 (1134) | 3400 (996) | 2930 (859) | 5700 (1671) | 5250 (1539) | 4790 (1404) | 4330 (1269) | 3870 (1134) | 3400 (996) | 2930 (859) |
| -20 (-28.9) | 4650 (1363) | 4250 (1246) | 3840 (1125) | 3430 (1005) | 3010 (882) | 2580 (756) | 2160 (633) | 4650 (1363) | 4250 (1246) | 3840 (1125) | 3430 (1005) | 3010 (882) | 2580 (756) | 2160 (633) | 4650 (1363) | 4250 (1246) | 3840 (1125) | 3430 (1005) | 3010 (882) | 2580 (756) | 2160 (633) | |
| -25 (-31.7) | 3740 (1096) | 3380 (991) | 3020 (885) | 2640 (774) | 2270 (665) | 1880 (551) | 1490 (437) | 3740 (1096) | 3380 (991) | 3020 (885) | 2640 (774) | 2270 (665) | 1880 (551) | 1490 (437) | 3740 (1096) | 3380 (991) | 3020 (885) | 2640 (774) | 2270 (665) | 1880 (551) | 1490 (437) | |
| TQHA020E6 Compressor Model CS12K6E | 40 (4.4) | 26630 (7804) | 25240 (7397) | 23880 (6999) | 22500 (6594) | 21140 (6196) | 19780 (5797) | 18440 (5404) | 26630 (7804) | 25240 (7397) | 23880 (6999) | 22500 (6594) | 21140 (6196) | 19780 (5797) | 18440 (5404) | 26630 (7804) | 25240 (7397) | 23880 (6999) | 22500 (6594) | 21140 (6196) | 19780 (5797) | 18440 (5404) |
| | 35 (1.7) | 24350 (7136) | 23080 (6764) | 21810 (6392) | 20550 (6023) | 19290 (5653) | 18040 (5287) | 16800 (4924) | 24350 (7136) | 23080 (6764) | 21810 (6392) | 20550 (6023) | 19290 (5653) | 18040 (5287) | 16800 (4924) | 24350 (7136) | 23080 (6764) | 21810 (6392) | 20550 (6023) | 19290 (5653) | 18040 (5287) | 16800 (4924) |
| | 30 (-1.1) | 22940 (6723) | 21680 (6354) | 20430 (5987) | 19190 (5624) | 17960 (5264) | 16730 (4903) | 15510 (4546) | 22940 (6723) | 21680 (6354) | 20430 (5987) | 19190 (5624) | 17960 (5264) | 16730 (4903) | 15510 (4546) | 22940 (6723) | 21680 (6354) | 20430 (5987) | 19190 (5624) | 17960 (5264) | 16730 (4903) | 15510 (4546) |
| | 25 (-3.9) | 20940 (6137) | 19760 (5791) | 18600 (5451) | 17440 (5111) | 16300 (4777) | 15150 (4440) | 14020 (4109) | 20940 (6137) | 19760 (5791) | 18600 (5451) | 17440 (5111) | 16300 (4777) | 15150 (4440) | 14020 (4109) | 20940 (6137) | 19760 (5791) | 18600 (5451) | 17440 (5111) | 16300 (4777) | 15150 (4440) | 14020 (4109) |
| | 20 (-6.7) | 18970 (5560) | 17880 (5240) | 16810 (4927) | 15740 (4613) | 14670 (4299) | 13620 (3992) | 12570 (3684) | 18970 (5560) | 17880 (5240) | 16810 (4927) | 15740 (4613) | 14670 (4299) | 13620 (3992) | 12570 (3684) | 18970 (5560) | 17880 (5240) | 16810 (4927) | 15740 (4613) | 14670 (4299) | 13620 (3992) | 12570 (3684) |
| | 15 (-9.4) | 17070 (5003) | 16070 (4710) | 15070 (4417) | 14080 (4126) | 13090 (3836) | 12120 (3552) | 11150 (3268) | 17070 (5003) | 16070 (4710) | 15070 (4417) | 14080 (4126) | 13090 (3836) | 12120 (3552) | 11150 (3268) | 17070 (5003) | 16070 (4710) | 15070 (4417) | 14080 (4126) | 13090 (3836) | 12120 (3552) | 11150 (3268) |
| | 10 (-12.2) | 15230 (4463) | 14300 (4191) | 13380 (3921) | 12470 (3655) | 11570 (3391) | 10680 (3130) | 9790 (2869) | 15230 (4463) | 14300 (4191) | 13380 (3921) | 12470 (3655) | 11570 (3391) | 10680 (3130) | 9790 (2869) | 15230 (4463) | 14300 (4191) | 13380 (3921) | 12470 (3655) | 11570 (3391) | 10680 (3130) | 9790 (2869) |
| | 5 (-15) | 13450 (3942) | 12600 (3693) | 11760 (3447) | 10930 (3203) | 10110 (2963) | 9290 (2723) | 8480 (2485) | 13450 (3942) | 12600 (3693) | 11760 (3447) | 10930 (3203) | 10110 (2963) | 9290 (2723) | 8480 (2485) | 13450 (3942) | 12600 (3693) | 11760 (3447) | 10930 (3203) | 10110 (2963) | 9290 (2723) | 8480 (2485) |
| | 0 (-17.8) | 11760 (3447) | 10980 (3218) | 10220 (2995) | 9460 (2772) | 8720 (2556) | 7970 (2336) | 7230 (2119) | 11760 (3447) | 10980 (3218) | 10220 (2995) | 9460 (2772) | 8720 (2556) | 7970 (2336) | 7230 (2119) | 11760 (3447) | 10980 (3218) | 10220 (2995) | 9460 (2772) | 8720 (2556) | 7970 (2336) | 7230 (2119) |
| | -5 (-20.6) | 9660 (2831) | 8990 (2635) | 8330 (2441) | 7680 (2251) | 7040 (2063) | 6410 (1879) | 5770 (1691) | 9660 (2831) | 8990 (2635) | 8330 (2441) | 7680 (2251) | 7040 (2063) | 6410 (1879) | 5770 (1691) | 9660 (2831) | 8990 (2635) | 8330 (2441) | 7680 (2251) | 7040 (2063) | 6410 (1879) | 5770 (1691) |
| | -10 (-23.3) | 8220 (2409) | 7620 (2233) | 7020 (2057) | 6440 (1887) | 5870 (1720) | 5300 (1553) | 4730 (1386) | 8220 (2409) | 7620 (2233) | 7020 (2057) | 6440 (1887) | 5870 (1720) | 5300 (1553) | 4730 (1386) | 8220 (2409) | 7620 (2233) | 7020 (2057) | 6440 (1887) | 5870 (1720) | 5300 (1553) | 4730 (1386) |
| | -15 (-26.1) | 6880 (2016) | 6340 (1858) | 5810 (1703) | 5290 (1550) | 4780 (1401) | 4270 (1251) | 3770 (1105) | 6880 (2016) | 6340 (1858) | 5810 (1703) | 5290 (1550) | 4780 (1401) | 4270 (1251) | 3770 (1105) | 6880 (2016) | 6340 (1858) | 5810 (1703) | 5290 (1550) | 4780 (1401) | 4270 (1251) | 3770 (1105) |
| -20 (-28.9) | 5640 (1653) | 5160 (1512) | 4700 (1377) | 4240 (1243) | 3790 (1111) | 3340 (979) | 2900 (850) | 5640 (1653) | 5160 (1512) | 4700 (1377) | 4240 (1243) | 3790 (1111) | 3340 (979) | 2900 (850) | 5640 (1653) | 5160 (1512) | 4700 (1377) | 4240 (1243) | 3790 (1111) | 3340 (979) | 2900 (850) | |
| -25 (-31.7) | 4520 (1325) | 4100 (1202) | 3690 (1081) | 3290 (964) | 2900 (850) | 2510 (736) | 2130 (624) | 4520 (1325) | 4100 (1202) | 3690 (1081) | 3290 (964) | 2900 (850) | 2510 (736) | 2130 (624) | 4520 (1325) | 4100 (1202) | 3690 (1081) | 3290 (964) | 2900 (850) | 2510 (736) | 2130 (624) | |
| TQHA025E6 Compressor Model CS14K6E | 40 (4.4) | 30010 (8795) | 28500 (8353) | 26990 (7910) | 25470 (7465) | 23960 (7022) | 22450 (6579) | 20950 (6140) | 30010 (8795) | 28500 (8353) | 26990 (7910) | 25470 (7465) | 23960 (7022) | 22450 (6579) | 20950 (6140) | 30010 (8795) | 28500 (8353) | 26990 (7910) | 25470 (7465) | 23960 (7022) | 22450 (6579) | 20950 (6140) |
| | 35 (1.7) | 27620 (8095) | 26210 (7681) | 24810 (7271) | 23400 (6858) | 22000 (6448) | 20600 (6037) | 19200 (5627) | 27620 (8095) | 26210 (7681) | 24810 (7271) | 23400 (6858) | 22000 (6448) | 20600 (6037) | 19200 (5627) | 27620 (8095) | 26210 (7681) | 24810 (7271) | 23400 (6858) | 22000 (6448) | 20600 (6037) | 19200 (5627) |
| | 30 (-1.1) | 25250 (7400) | 23870 (6996) | 22480 (6588) | 21090 (6181) | 19720 (5779) | 18330 (5372) | 16950 (4968) | 25250 (7400) | 23870 (6996) | 22480 (6588) | 21090 (6181) | 19720 (5779) | 18330 (5372) | 16950 (4968) | 25250 (7400) | 23870 (6996) | 22480 (6588) | 21090 (6181) | 19720 (5779) | 18330 (5372) | 16950 (4968) |
| | 25 (-3.9) | 23240 (6811) | 21970 (6439) | 20700 (6067) | 19430 (5694) | 18150 (5319) | 16880 (4947) | 15600 (4572) | 23240 (6811) | 21970 (6439) | 20700 (6067) | 19430 (5694) | 18150 (5319) | 16880 (4947) | 15600 (4572) | 23240 (6811) | 21970 (6439) | 20700 (6067) | 19430 (5694) | 18150 (5319) | 16880 (4947) | 15600 (4572) |
| | 20 (-6.7) | 21230 (6222) | 20070 (5882) | 18900 (5539) | 17730 (5196) | 16570 (4856) | 15410 (4516) | 14250 (4176) | 21230 (6222) | 20070 (5882) | 18900 (5539) | 17730 (5196) | 16570 (4856) | 15410 (4516) | 14250 (4176) | 21230 (6222) | 20070 (5882) | 18900 (5539) | 17730 (5196) | 16570 (4856) | 15410 (4516) | 14250 (4176) |
| | 15 (-9.4) | 19250 (5642) | 18180 (5328) | 17120 (5017) | 16050 (4704) | 14990 (4393) | 13930 (4082) | 12870 (3772) | 19250 (5642) | 18180 (5328) | 17120 (5017) | 16050 (4704) | 14990 (4393) | 13930 (4082) | 12870 (3772) | 19250 (5642) | 18180 (5328) | 17120 (5017) | 16050 (4704) | 14990 (4393) | 13930 (4082) | 12870 (3772) |
| | 10 (-12.2) | 17280 (5064) | 16320 (4783) | 15350 (4499) | 14390 (4217) | 13430 (3936) | 12460 (3652) | 11510 (3373) | 17280 (5064) | 16320 (4783) | 15350 (4499) | 14390 (4217) | 13430 (3936) | 12460 (3652) | 11510 (3373) | 17280 (5064) | 16320 (4783) | 15350 (4499) | 14390 (4217) | 13430 (3936) | 12460 (3652) | 11510 (3373) |
| | 5 (-15) | 15370 (4505) | 14500 (4250) | 13630 (3995) | 12760 (3740) | 11900 (3488) | 11030 (3233) | 10160 (2978) | 15370 (4505) | 14500 (4250) | 13630 (3995) | 12760 (3740) | 11900 (3488) | 11030 (3233) | 10160 (2978) | 15370 (4505) | 14500 (4250) | 13630 (3995) | 12760 (3740) | 11900 (3488) | | |

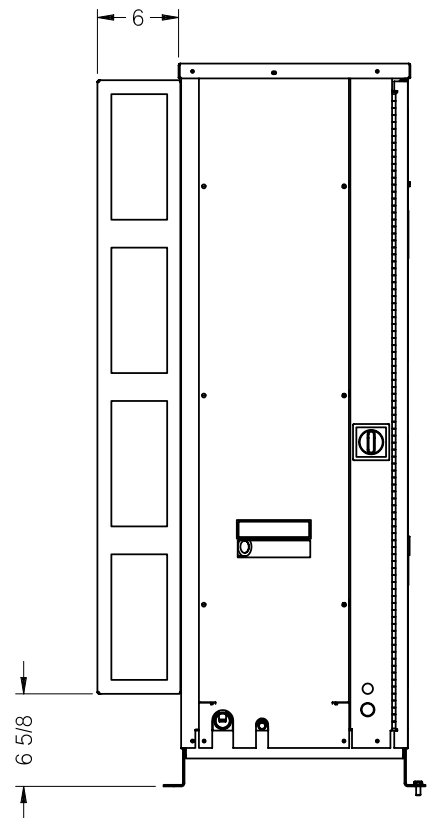
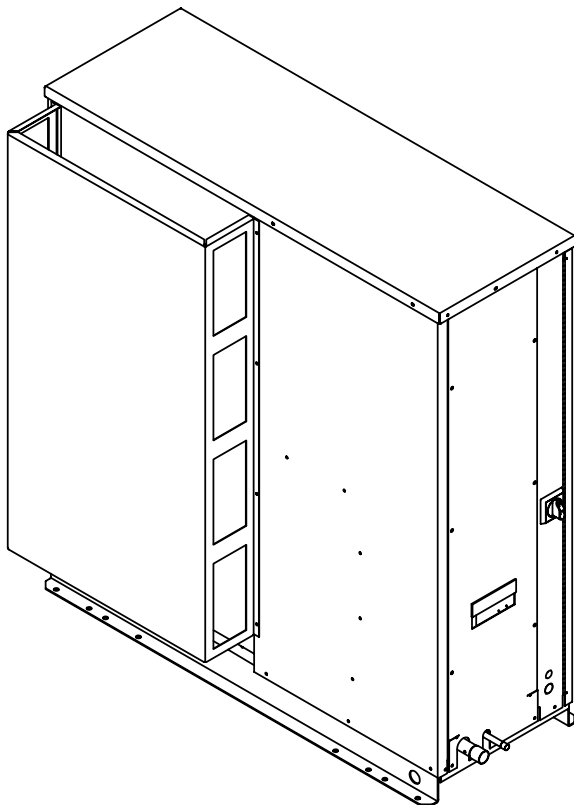
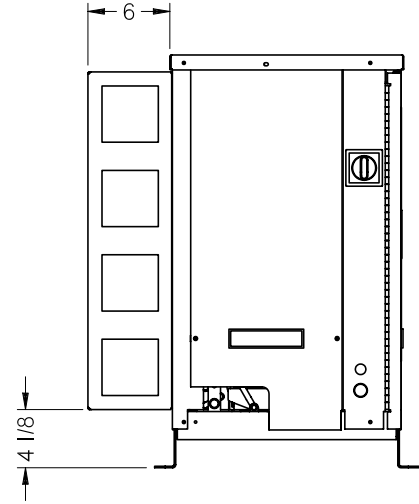
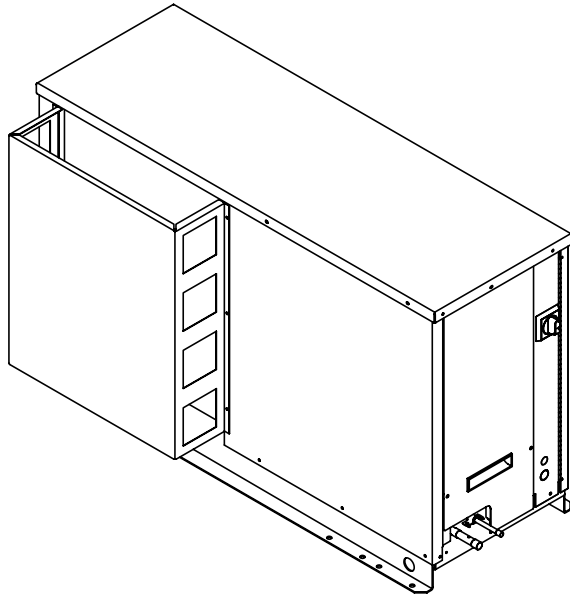
CAPACITY DATA - R404A R507
LOW TEMPERATURE

| MODEL TQH | SATURATED SUCTION TEMP. F° (C°) | CAPACITY BTU/H (WATTS) R404A R507 | | | | | | | | AMBIENT TEMPERATURE °F (°C) | |
|---|--|-----------------------------------|--------------|--------------|--------------|--------------|--------------|--------------|--|-----------------------------|--|
| | | 80 (26.6) | 85 (29.4) | 90 (32.2) | 95 (35.0) | 100 (37.8) | 105 (40.6) | 110 (43.3) | | | |
| TQHA010L6 Compressor Model CF04K6E | 10 (-12.2) | 11800 (3458) | 11170 (3274) | 10520 (3083) | 9850 (2887) | 9160 (2685) | 8440 (2474) | 7720 (2263) | | | |
| | 5 (-15.0) | 10350 (3033) | 9790 (2869) | 9210 (2699) | 8600 (2520) | 7980 (2339) | 7340 (2151) | 6690 (1961) | | | |
| | 0 (-17.8) | 9020 (2644) | 8520 (2497) | 8000 (2345) | 7460 (2186) | 6900 (2022) | 6330 (1855) | 5740 (1682) | | | |
| | -5 (-20.6) | 7800 (2286) | 7350 (2154) | 6890 (2019) | 6420 (1882) | 5920 (1735) | 5420 (1588) | 4890 (1433) | | | |
| | -10 (-23.3) | 6690 (1961) | 6300 (1846) | 5890 (1726) | 5460 (1600) | 5030 (1474) | 4590 (1345) | 4130 (1210) | | | |
| | -15 (-26.1) | 5680 (1665) | 5330 (1562) | 4980 (1459) | 4600 (1348) | 4220 (1237) | 3830 (1122) | 3440 (1008) | | | |
| | -20 (-28.9) | 4780 (1401) | 4470 (1310) | 4150 (1216) | 3820 (1120) | 3500 (1026) | 3160 (926) | 2820 (826) | | | |
| | -25 (-31.7) | 3960 (1161) | 3690 (1081) | 3410 (999) | 3130 (917) | 2840 (832) | 2550 (747) | 2270 (665) | | | |
| -30 (-34.4) | 3220 (944) | 2980 (873) | 2740 (803) | 2490 (730) | 2250 (659) | 2010 (589) | 1760 (516) | | | | |
| TQHA020L6 Compressor Model CF06K6E | 10 (-12.2) | 16350 (4790) | 15500 (4540) | 14630 (4290) | 13760 (4030) | 12870 (3770) | 11980 (3510) | 11080 (3250) | | | |
| | 5 (-15.0) | 14870 (4360) | 14070 (4120) | 13270 (3890) | 12460 (3650) | 11640 (3410) | 10830 (3170) | 10000 (2930) | | | |
| | 0 (-17.8) | 13390 (3920) | 12650 (3710) | 11910 (3490) | 11160 (3270) | 10420 (3050) | 9660 (2830) | 8900 (2610) | | | |
| | -5 (-20.6) | 11930 (3500) | 11250 (3300) | 10560 (3090) | 9870 (2890) | 9190 (2690) | 8510 (2490) | 7820 (2290) | | | |
| | -10 (-23.3) | 10510 (3080) | 9870 (2890) | 9240 (2710) | 8610 (2520) | 7990 (2340) | 7370 (2160) | 6760 (1980) | | | |
| | -15 (-26.1) | 9120 (2670) | 8550 (2510) | 7970 (2340) | 7390 (2170) | 6840 (2000) | 6280 (1840) | 5740 (1680) | | | |
| | -20 (-28.9) | 7810 (2290) | 7280 (2130) | 6750 (1980) | 6240 (1830) | 5730 (1680) | 5250 (1540) | 4770 (1400) | | | |
| | -25 (-31.7) | 6570 (1930) | 6080 (1780) | 5610 (1640) | 5150 (1510) | 4700 (1380) | 4280 (1250) | 3890 (1140) | | | |
| -30 (-34.4) | 5440 (1590) | 5000 (1470) | 4570 (1340) | 4160 (1220) | 3780 (1110) | 3420 (1000) | 3090 (910) | | | | |
| TQHA025L6 Compressor Model CF09K6E | 10 (-12.2) | 22830 (6691) | 21580 (6324) | 20330 (5958) | 19100 (5598) | 17870 (5237) | 16660 (4883) | 15470 (4534) | | | |
| | 5 (-15.0) | 20700 (6067) | 19530 (5724) | 18390 (5390) | 17250 (5055) | 16120 (4724) | 15000 (4396) | 13900 (4074) | | | |
| | 0 (-17.8) | 18630 (5460) | 17560 (5146) | 16510 (4839) | 15460 (4531) | 14420 (4226) | 13400 (3927) | 12380 (3628) | | | |
| | -5 (-20.6) | 16630 (4874) | 15660 (4589) | 14690 (4305) | 13730 (4024) | 12780 (3745) | 11840 (3470) | 10930 (3203) | | | |
| | -10 (-23.3) | 14730 (4317) | 13830 (4053) | 12950 (3795) | 12080 (3540) | 11210 (3285) | 10360 (3036) | 9530 (2793) | | | |
| | -15 (-26.1) | 12900 (3781) | 12100 (3546) | 11290 (3309) | 10500 (3077) | 9710 (2846) | 8950 (2623) | 8200 (2403) | | | |
| | -20 (-28.9) | 11180 (3277) | 10450 (3063) | 9710 (2846) | 9000 (2638) | 8300 (2432) | 7610 (2230) | 6940 (2034) | | | |
| | -25 (-31.7) | 9560 (2802) | 8890 (2605) | 8240 (2415) | 7590 (2224) | 6970 (2043) | 6350 (1861) | 5750 (1685) | | | |
| -30 (-34.4) | 8040 (2356) | 7440 (2180) | 6860 (2010) | 6280 (1840) | 5720 (1676) | 5190 (1521) | 4660 (1366) | | | | |
| TQHA030L6 Compressor Model CF12K6E | 10 (-12.2) | 26700 (7825) | 25200 (7385) | 23700 (6946) | 22210 (6509) | 20730 (6075) | 19260 (5645) | 17810 (5220) | | | |
| | 5 (-15.0) | 24330 (7130) | 22940 (6723) | 21570 (6322) | 20190 (5917) | 18840 (5521) | 17490 (5126) | 16160 (4736) | | | |
| | 0 (-17.8) | 22040 (6459) | 20780 (6090) | 19520 (5721) | 18270 (5354) | 17020 (4988) | 15790 (4628) | 14570 (4270) | | | |
| | -5 (-20.6) | 19870 (5823) | 18710 (5483) | 17570 (5149) | 16420 (4812) | 15280 (4478) | 14160 (4150) | 13060 (3828) | | | |
| | -10 (-23.3) | 17780 (5211) | 16730 (4903) | 15680 (4595) | 14640 (4291) | 13610 (3989) | 12590 (3690) | 11580 (3394) | | | |
| | -15 (-26.1) | 15770 (4622) | 14830 (4346) | 13870 (4065) | 12930 (3789) | 11980 (3511) | 11060 (3241) | 10150 (2975) | | | |
| | -20 (-28.9) | 13860 (4062) | 12990 (3807) | 12130 (3555) | 11270 (3303) | 10410 (3051) | 9570 (2805) | 8750 (2564) | | | |
| | -25 (-31.7) | 12010 (3520) | 11220 (3288) | 10440 (3060) | 9650 (2828) | 8860 (2597) | 8100 (2374) | 7350 (2154) | | | |
| -30 (-34.4) | 10240 (3001) | 9510 (2787) | 8790 (2576) | 8050 (2359) | 7340 (2151) | 6640 (1946) | 5940 (1741) | | | | |

WITH STANDARD EC FAN MOTOR

| MODEL TQH | COMPRESSOR MODEL NO. | POWER SUPPLY | COMPRESSOR | | EC CONDENSER FAN MOTOR | | | UNIT | | |
|-------------|----------------------|---------------|--------------|------|------------------------|-------|-----|------|------|----|
| | | | RLA | LRA | QTY | WATTS | FLA | MCA | MOP | |
| TQHA015H7-H | S2A | CR18K6E-PFV | 208-230/1/60 | 9.4 | 49 | 1 | 165 | 1.7 | 13.5 | 20 |
| | T3A | CR18K6E-TF5 | 208-230/3/60 | 5.4 | 49 | 1 | 165 | 1.7 | 8.5 | 15 |
| TQHA020H7-H | S2A | CR24K6E-PFV | 208-230/1/60 | 11.2 | 61 | 1 | 165 | 1.7 | 15.7 | 25 |
| | T3A | CR24K6E-TF5 | 208-230/3/60 | 6.9 | 55 | 1 | 165 | 1.7 | 10.3 | 15 |
| | T4A | CR24K6E-TFD | 460/3/60 | 3.6 | 28 | 1 | 165 | 0.9 | 5.4 | 15 |
| TQHA025H7-H | S2A | CR32K6E-PFV | 208-230/1/60 | 14.4 | 82 | 1 | 165 | 1.7 | 19.7 | 30 |
| | T3A | CR32K6E-TF5 | 208-230/3/60 | 9.0 | 72 | 1 | 165 | 1.7 | 13.0 | 20 |
| | T4A | CR32K6E-TFD | 460/3/60 | 4.6 | 33 | 1 | 165 | 0.9 | 6.6 | 15 |
| TQHA030H7-H | S2A | CR38K6E-PFV | 208-230/1/60 | 17.1 | 105 | 1 | 165 | 1.7 | 23.1 | 40 |
| | T3A | CR38K6E-TF5 | 208-230/3/60 | 10.7 | 85 | 1 | 165 | 1.7 | 15.1 | 25 |
| | T4A | CR38K6E-TFD | 460/3/60 | 5.3 | 42 | 1 | 165 | 0.9 | 7.5 | 15 |
| TQHA035H7-H | S2A | CR42K6E-PFV | 208-230/1/60 | 18.3 | 102 | 2 | 330 | 3.4 | 26.3 | 40 |
| | T3A | CR42K6E-TF5 | 208-230/3/60 | 12.6 | 91 | 2 | 330 | 3.4 | 19.2 | 30 |
| | T4A | CR42K6E-TFD | 460/3/60 | 5.7 | 42 | 2 | 330 | 1.8 | 8.9 | 15 |
| TQHA040H7-H | S2A | CR53KQE-PFV | 208-230/1/60 | 26.0 | 140 | 2 | 330 | 1.7 | 35.9 | 60 |
| | T3A | CR53KQE-TF5 | 208-230/3/60 | 16.3 | 107 | 2 | 330 | 1.7 | 23.8 | 40 |
| | T4A | CR53KQE-TFD | 460/3/60 | 8.1 | 55 | 2 | 330 | 0.9 | 12.0 | 20 |
| TQHA050H7-H | S2A | CRNQ-050E-PFV | 208-230/1/60 | 30.8 | 142 | 2 | 330 | 1.7 | 41.9 | 70 |
| | T3A | CRNQ-050E-TF5 | 208-230/3/60 | 19.2 | 130 | 2 | 330 | 1.7 | 27.4 | 40 |
| | T4A | CRNQ-050E-TFD | 460/3/60 | 8.7 | 65 | 2 | 330 | 0.9 | 12.6 | 20 |
| TQHA006M8-H | S2A | RST45C1E-CAV | 208-230/1/60 | 4.6 | 26.5 | 1 | 165 | 1.7 | 7.5 | 15 |
| TQHA008M8-H | S2A | RST55C1E-CAV | 208-230/1/60 | 6.1 | 33.7 | 1 | 165 | 1.7 | 9.3 | 15 |
| TQHA009M8-H | S2A | RST64C1E-CAV | 208-230/1/60 | 8.0 | 43.0 | 1 | 165 | 1.7 | 11.7 | 15 |
| TQHA010M8-H | S2A | RST70C1E-PFV | 208-230/1/60 | 6.9 | 46.0 | 1 | 165 | 1.7 | 10.3 | 15 |
| | T3A | RST70C1E-TFC | 208-230/3/60 | 4.9 | 36.0 | 1 | 165 | 1.7 | 7.8 | 15 |
| TQHA011M8-H | S2A | RST80C1E-PFV | 208-230/1/60 | 8.3 | 46.0 | 1 | 165 | 1.7 | 12.1 | 20 |
| | T3A | RST80C1E-TA5 | 208-230/3/60 | 5.1 | 36.0 | 1 | 165 | 1.7 | 8.1 | 15 |
| TQHA013M8-H | S2A | RST97C1E-PFV | 208-230/1/60 | 9.0 | 51.0 | 1 | 165 | 1.7 | 13.0 | 20 |
| | T3A | RST97C1E-TA5 | 208-230/3/60 | 5.4 | 36.0 | 1 | 165 | 1.7 | 8.5 | 15 |
| TQHA015E6-H | S2A | CS10K6E-PFV | 208-230/1/60 | 9.8 | 56 | 1 | 165 | 1.7 | 14.0 | 20 |
| | T3A | CS10K6E-TF5 | 208-230/3/60 | 6.7 | 51 | 1 | 165 | 1.7 | 10.1 | 15 |
| | T4A | CS10K6E-TFD | 460/3/60 | 3.2 | 25 | 1 | 165 | 0.9 | 4.9 | 15 |
| TQHA020E6-H | S2A | CS12K6E-PFV | 208-230/1/60 | 9.8 | 56 | 1 | 165 | 1.7 | 14.0 | 20 |
| | T3A | CS12K6E-TF5 | 208-230/3/60 | 6.7 | 51 | 1 | 165 | 1.7 | 10.1 | 15 |
| TQHA025E6-H | S2A | CS14K6E-PFV | 208-230/1/60 | 11.2 | 61 | 1 | 165 | 1.7 | 15.7 | 25 |
| | T3A | CS14K6E-TF5 | 208-230/3/60 | 8.2 | 55 | 1 | 165 | 1.7 | 12.0 | 20 |
| | T4A | CS14K6E-TFD | 460/3/60 | 4.2 | 28 | 1 | 165 | 0.9 | 6.2 | 15 |
| TQHA030E6-H | S2A | CS18K6E-PFV | 208-230/1/60 | 14.4 | 82 | 1 | 165 | 1.7 | 19.6 | 30 |
| | T3A | CS18K6E-TF5 | 208-230/3/60 | 7.9 | 65.5 | 1 | 165 | 1.7 | 11.6 | 15 |
| | T4A | CS18K6E-TFD | 460/3/60 | 4.2 | 33 | 1 | 165 | 0.9 | 6.2 | 15 |
| TQHA035E6-H | S2A | CS20K6E-PFV | 208-230/1/60 | 16.7 | 96 | 2 | 330 | 1.7 | 24.2 | 40 |
| | T3A | CS20K6E-TF5 | 208-230/3/60 | 10.2 | 75 | 2 | 330 | 1.7 | 16.2 | 25 |
| | T4A | CS20K6E-TFD | 460/3/60 | 4.6 | 40 | 2 | 330 | 0.9 | 7.5 | 15 |
| TQHA010L6-H | S2A | CF04K6E-PFV | 208-230/1/60 | 9.9 | 59.2 | 1 | 165 | 1.7 | 14.1 | 20 |
| | T3A | CF04K6E-TF5 | 208-230/3/60 | 6.1 | 52 | 1 | 165 | 1.7 | 9.3 | 15 |
| TQHA020L6-H | S2A | CF06K6E-PFV | 208-230/1/60 | 10.3 | 59.2 | 1 | 165 | 1.7 | 14.5 | 25 |
| | T3A | CF06K6E-TF5 | 208-230/3/60 | 6.3 | 52 | 1 | 165 | 1.7 | 9.6 | 15 |
| TQHA025L6-H | S2A | CF09K6E-PFV | 208-230/1/60 | 15.0 | 87 | 1 | 165 | 1.7 | 20.5 | 35 |
| | T3A | CF09K6E-TF5 | 208-230/3/60 | 9.2 | 72.2 | 1 | 165 | 1.7 | 13.2 | 20 |
| | T4A | CF09K6E-TFD | 460/3/60 | 4.9 | 35.8 | 1 | 165 | 0.9 | 7.1 | 15 |
| TQHA030L6-H | S2A | CF12K6E-PFV | 208-230/1/60 | 18.4 | 105 | 1 | 165 | 1.7 | 24.7 | 40 |
| | T3A | CF12K6E-TF5 | 208-230/3/60 | 11.0 | 85 | 1 | 165 | 1.7 | 15.5 | 25 |
| | T4A | CF12K6E-TFD | 460/3/60 | 5.9 | 42 | 1 | 165 | 0.9 | 8.3 | 15 |





| MODEL TQH | UNIT CONNECTIONS | | | | R404A RECEIVER CAPACITY 90% FULL * | | APPROX. SHIPPING WEIGHT | |
|------------------|------------------|----|-------------|----|---------------------------------------|-----|-------------------------|-----|
| | SUCTION (OD) | | LIQUID (OD) | | Lbs. | Kgs | Lbs. | Kgs |
| | Inches | mm | Inches | mm | | | | |
| TQHA015H7 | 5/8 | 16 | 3/8 | 10 | 12 | 5.4 | 315 | 143 |
| TQHA020H7 | 5/8 | 16 | 3/8 | 10 | 12 | 5.4 | 315 | 143 |
| TQHA025H7 | 7/8 | 22 | 3/8 | 10 | 15 | 6.9 | 315 | 143 |
| TQHA030H7 | 7/8 | 22 | 1/2 | 13 | 15 | 6.8 | 315 | 143 |
| TQHA035H7 | 7/8 | 22 | 1/2 | 13 | 22 | 9.8 | 480 | 218 |
| TQHA040H7 | 1 1/8 | 29 | 1/2 | 13 | 22 | 9.8 | 500 | 227 |
| TQHA050H7 | 1 1/8 | 29 | 1/2 | 13 | 22 | 9.8 | 520 | 236 |
| TQHA006M8 | 5/8 | 16 | 3/8 | 10 | 11 | 5 | 305 | 139 |
| TQHA008M8 | 5/8 | 16 | 3/8 | 10 | 11 | 5 | 305 | 139 |
| TQHA009M8 | 5/8 | 16 | 3/8 | 10 | 11 | 5 | 305 | 139 |
| TQHA010M8 | 5/8 | 16 | 3/8 | 10 | 11 | 5 | 315 | 143 |
| TQHA011M8 | 5/8 | 16 | 3/8 | 10 | 11 | 5 | 315 | 143 |
| TQHA013M8 | 5/8 | 16 | 3/8 | 10 | 11 | 5 | 315 | 143 |
| TQHA015E6 | 5/8 | 16 | 3/8 | 10 | 11 | 5 | 315 | 143 |
| TQHA020E6 | 5/8 | 16 | 3/8 | 10 | 11 | 5 | 315 | 143 |
| TQHA025E6 | 7/8 | 22 | 1/2 | 13 | 14 | 6.4 | 315 | 143 |
| TQHA030E6 | 7/8 | 22 | 1/2 | 13 | 14 | 6.4 | 315 | 143 |
| TQHA035E6 | 7/8 | 22 | 1/2 | 13 | 20 | 8.9 | 480 | 218 |
| TQHA010L6 | 5/8 | 16 | 3/8 | 10 | 11 | 5 | 320 | 145 |
| TQHA020L6 | 7/8 | 22 | 3/8 | 10 | 11 | 5 | 320 | 145 |
| TQHA025L6 | 7/8 | 22 | 1/2 | 10 | 14 | 6.4 | 330 | 150 |
| TQHA030L6 | 7/8 | 22 | 1/2 | 13 | 14 | 6.4 | 330 | 150 |

*** NOTE ON ALTERNATE REFRIGERANTS:**

* PUBLISHED RECEIVER CAPACITY IS BASED ON **R404A** ON MODELS USING "8" AS REFRIGERANT CODE. FOR ALTERNATE REFRIGERANTS, MULTIPLY **R404A** VALUE BY THE APPROPRIATE VALUE BELOW:

| | | | | |
|--------------|--------------|--------------|-------------|------------|
| R407A | R407C | R448A | R507 | R22 |
| 1.10 | 1.10 | 1.05 | 1.00 | 1.15 |

- For R449A, use R448A data.

ANNUAL WALK-IN ENERGY FACTOR (AWEF) RATINGS FOR HIGH/MEDIUM TEMP. APPLICATIONS

| BASE UNIT MODEL TQH | AWEF |
|---------------------------|-------------------|
| | OUTDOOR MODELS |
| TQHA015H7 | 8.50 |
| TQHA020H7 | 8.81 |
| TQHA025H7 | 8.79 |
| TQHA030H7 | 8.90 |
| TQHA035H7 | 9.28 |
| TQHA040H7 | 8.56 |
| TQHA050H7 | 8.20 |

| BASE UNIT MODEL TQH | AWEF |
|---------------------------|-------------------|
| | OUTDOOR MODELS |
| TQHA006M8 | 7.20 |
| TQHA008M8 | 7.01 |
| TQHA009M8 | 6.28 |
| TQHA010M8 | 7.68 |
| TQHA011M8 | 7.63 |
| TQHA013M8 | 7.59 |
| TQHA015E6 | 8.72 |
| TQHA020E6 | 8.79 |
| TQHA025E6 | 8.50 |
| TQHA030E6 | 8.64 |
| TQHA035E6 | 8.80 |

SOUND PRESSURE LEVELS

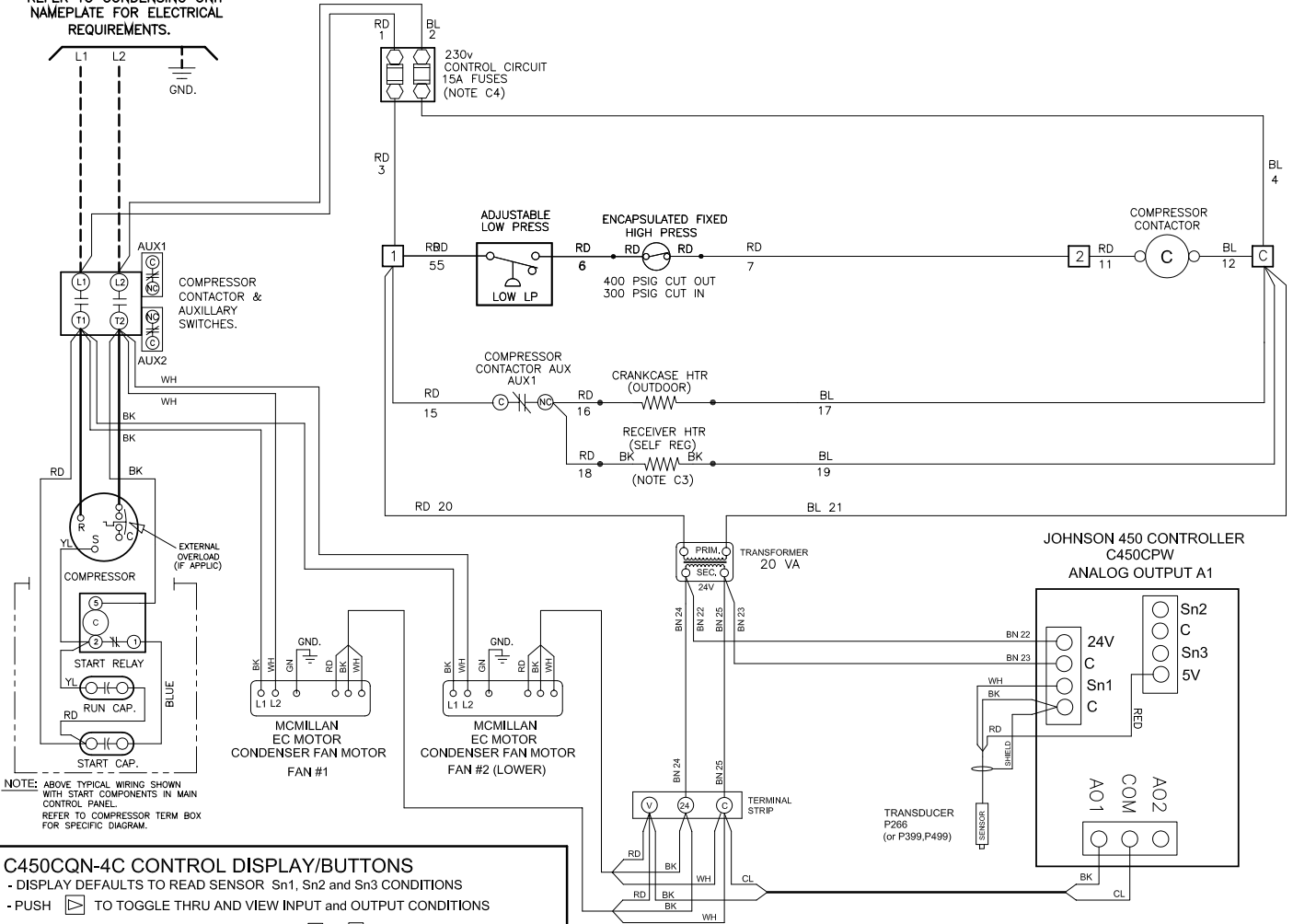
| COPELAND MODEL TQH | dBA @ 10 ft. with Sound Insulated Compressor Compartment | dBA @ 10 ft. <i>without</i> Sound Insulated Compressor Compartment |
|-----------------------|--|--|
| TQHA015H7 | 58 | 61 |
| TQHA020H7 | 58 | 61 |
| TQHA025H7 | 58 | 61 |
| TQHA030H7 | 60 | 63 |
| TQHA035H7 | 60 | 62 |
| TQHA040H7 | 60 | 62 |
| TQHA050H7 | 60 | 62 |
| TQHA006M8 | 58 | 61 |
| TQHA008M8 | 58 | 61 |
| TQHA009M8 | 58 | 61 |
| TQHA010M8 | 58 | 61 |
| TQHA011M8 | 58 | 61 |
| TQHA013M8 | 58 | 61 |
| TQHA015E6 | 58 | 61 |
| TQHA020E6 | 60 | 63 |
| TQHA025E6 | 59 | 62 |
| TQHA030E6 | 60 | 63 |
| TQHA035E6 | 60 | 62 |
| TQHA010L6 | 55 | 58 |
| TQHA020L6 | 56 | 59 |
| TQHA025L6 | 57 | 60 |
| TQHA030L6 | 57 | 60 |

- Data is typical of “free field” conditions. Factors such as reflecting wall, background noise and installation may have significant influence on data
- Testing performed according to AHRI Standard 270
- For more accurate ratings refer to AHRI Standard 275 for correction factors due to reflecting planes
- Data is for 100% fan speed. Further sound reductions of approx. 4-6 dBA can be expected at ambients below 70°F

CONDENSING UNIT WIRING DIAGRAM

- 208/230V-1-60 or 200/220V-1-50 Hz.
- INHERENT LINE BREAK MOTOR PROTECTION
- WITH McMill. EC COND FAN MOTOR & 450CPW JOHNSON CONTROLLER

REFER TO CONDENSING UNIT NAMEPLATE FOR ELECTRICAL REQUIREMENTS.



C450CQN-4C CONTROL DISPLAY/BUTTONS
 - DISPLAY DEFAULTS TO READ SENSOR Sn1, Sn2 and Sn3 CONDITIONS
 - PUSH TO TOGGLE THRU AND VIEW INPUT and OUTPUT CONDITIONS
 - ACTIVATE PROGRAM BUTTONS BY HOLDING & TOGETHER FOR 5 SECONDS
 - SENS IS THEN DISPLAYED AND AVAIL FOR ADJUSTMENTS
 - DISPLAY RETURNS TO DEFAULT MODE AFTER TWO MINUTES OF INACTIVITY.

SELECTS PARTICULAR SENSOR AND OUTPUT
 ADJUSTS THE VALUES WHEN FLASHING. ENTERS THE VALUE.
 MENU BUTTON TOGGLES BETWEEN SENSOR, OUTPUT ANALOG and OUTPUT ANALOG(S), PROGRAMMING GROUPS.

CONTROL SETPOINTS
 PRESS TO SELECT REQUIRED GROUP
 THEN TOGGLE THRU WITH BUTTON FOR EACH SETTING AND USE UP/DOWN FOR ADJUSTMENTS

SENS (SENSOR INPUTS)
 Sn1 - HIGH SIDE PRESS TRANSDUCER Set for: P500 Sn3 - NOT USED Set for: --
 Sn2 - NOT USED Set for: -- OFFS - Set for: 0

OUTA1 (OUTPUT ANALOG)
 Used for Condenser EC fan motor speed control
 Provides Analog 0-10V DC output:
 (As Ambient temperature / cond press drops fan slows down)

PULS PULSE (HYBRID ANALOG)
 Used for Improved condenser EC fan motor performance
 LEV=22 (pulse output set at 22% of 10V output)
 PER=2 (2 Second pulse period)

"OUTA1" IS FACTORY CONFIGURED FOR THE REQUIRED SYSTEM REFRIGERANT BELOW
R407A / R448A / R449A
 SP=165 (Set point at 165psig./80°F Cond Temp)
 EP=265 (End point at 265psig results in 100 psi throttle range)
 OSP=0 (Output Signal 0% DC volts at SP setting)
 OEP=100 (Output End 100% DC volts at EP setting)
 I-C = 4 (Integration Constant factor)
 UP-R = 1 (Output Signal Update Rate = 1 Second)
 bNd = 0 (Output Signal Deadband = 0% of OSP to OEP range)
 SNF = ON (Sensor failure mode 10V DC Voltage)
 SENS = Sn1 (Assigned Sn1 as controlling sensor)

FOR OTHER REFRIGERANT SETTINGS SEE SEPPARATE SET-UP SHEET. QSU-QCU-02

REFER TO SEPARATE SHEET QSU-QCU-02 FOR CONTROL SET-UP PROCEDURE

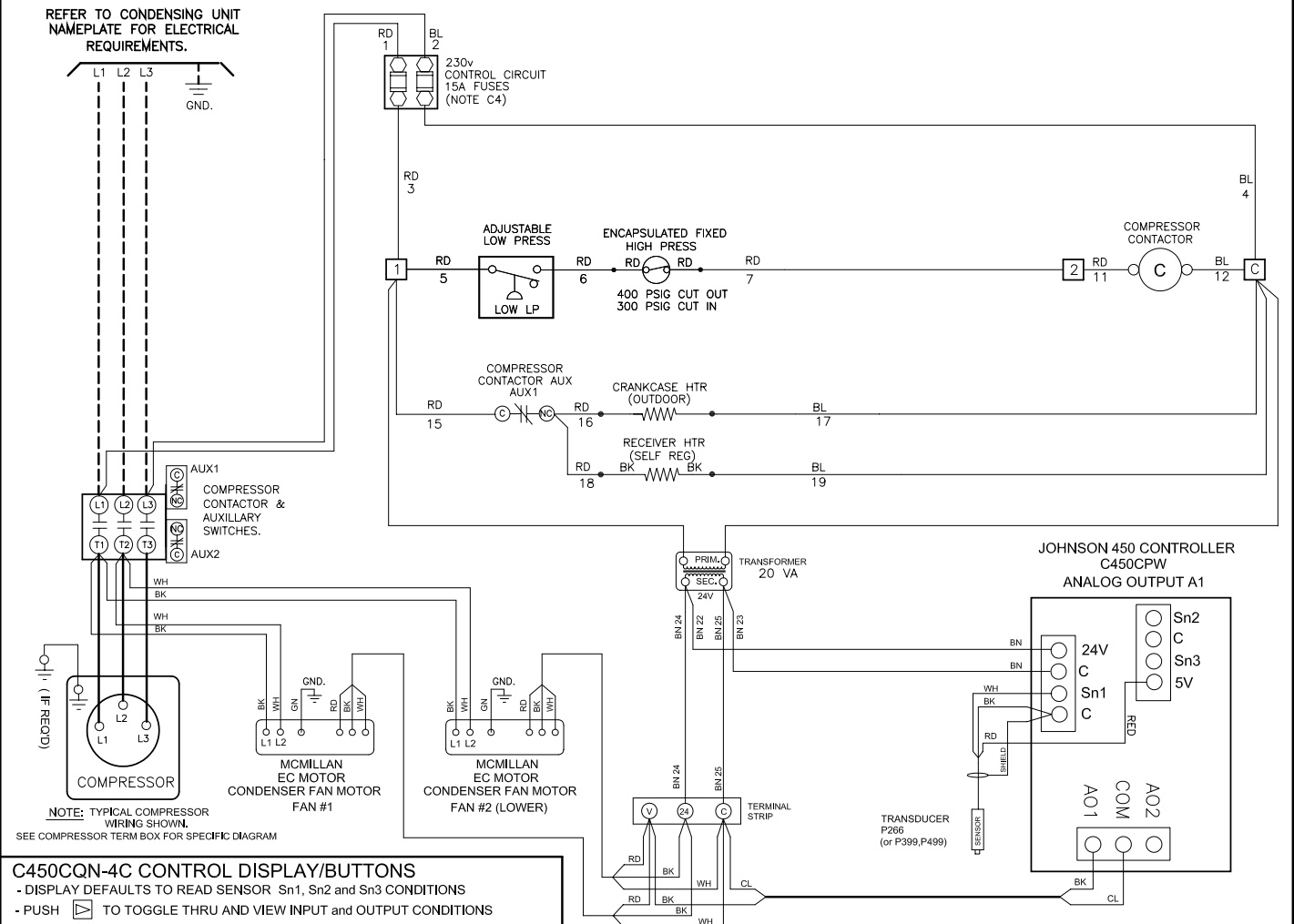
NOTES

- C1. USE COPPER CONDUCTORS ONLY
 - C2. USE 75°C WIRE (OR HIGHER)
 - C3. OPTIONAL COMPONENT
 - C4. ALL FUSES TO BE CLASS CC OR J AND VOLTAGE RATED EQUAL (OR HIGHER) THAN OPERATING VOLTAGE
- CONDUCTORS/WIRING**
 - - - - - FACTORY WIRING
 - - - - - OPTIONAL WIRING
 - - - - - WIRING BY OTHERS
 ALL FIELD WIRING MUST BE DONE IN COMPLIANCE WITH ALL APPLICABLE LOCAL AND NATIONAL CODES.

| REVISIONS | | | DIAGRAM NUMBER | |
|------------|----|-----|----------------|--|
| DATE | BY | LTR | | |
| SEPT 12/17 | BG | A | S2Q1W6 | |
| | | | | |

CONDENSING UNIT WIRING DIAGRAM

- 208-230V-3-60, or 200/220V-3-50 Hz
- INHERENT LINE BREAK MOTOR PROTECTION
- WITH McMill. EC COND FAN MOTOR & 450CPW JOHNSON CONTROLLER



C450CQN-4C CONTROL DISPLAY/BUTTONS

- DISPLAY DEFAULTS TO READ SENSOR Sn1, Sn2 and Sn3 CONDITIONS
- PUSH TO TOGGLE THRU AND VIEW INPUT and OUTPUT CONDITIONS
- ACTIVATE PROGRAM BUTTONS BY HOLDING & TOGETHER FOR 5 SECONDS
- SENS IS THEN DISPLAYED AND AVAIL FOR ADJUSTMENTS
- DISPLAY RETURNS TO DEFAULT MODE AFTER TWO MINUTES OF INACTIVITY.
- SELECTS PARTICULAR SENSOR AND OUTPUT
- ADJUSTS THE VALUES WHEN FLASHING. ENTERS THE VALUE.
- MENU BUTTON TOGGLES BETWEEN SENSOR, OUTPUT ANALOG and OUTPUT RELAY(S), PROGRAMMING GROUPS.

CONTROL SETPOINTS

PRESS TO SELECT REQUIRED GROUP

THEN TOGGLE THRU WITH BUTTON FOR EACH SETTING

AND USE UP/DOWN FOR ADJUSTMENTS

SENS (SENSOR INPUTS)

- Sn1 - HIGH SIDE PRESS TRANSDUCER Set for: P500
- Sn2 - NOT USED Set for: --
- Sn3 - NOT USED OFFS - Set for: 0

OUTA1 (OUTPUT ANALOG)

Used for Condenser EC fan motor speed control
Provides Analog 0-10V DC output:
(As Ambient temperature / cond press drops fan slows down)

PULS PULSE (HYBRID ANALOG)
Used for improved condenser EC fan motor performance
LEV=22 (pulse output set at 22% of 10V output)
PER=2 (2 Second pulse period)

"OUTA1" IS FACTORY CONFIGURED FOR THE REQUIRED SYSTEM REFRIGERANT BELOW
R407A / R448A / R449A
SP=165 (Set point at 165psig./80°F Cond Temp)
EP=265 (End point at 265psig results in 100 psi throttle range)
OSP=0 (Output Signal 0% DC volts at SP setting)
OEP=100 (Output End 100% DC volts at EP setting)
I-C = 4 (Integration Constant factor)
UP-R = 1 (Output Signal Update Rate = 1 Second)
bNd = 0 (Output Signal Deadband = 0% of OSP to OEP range)
SNF = ON (Sensor failure mode 10V DC Voltage)
SENS = Sn1 (Assigned Sn1 as controlling sensor)

FOR OTHER REFRIGERANT SETTINGS SEE SEPARATE SET-UP SHEET, QSU-QCU-02

REFER TO SEPARATE SHEET QSU-QCU-02 FOR CONTROL SET-UP PROCEDURE

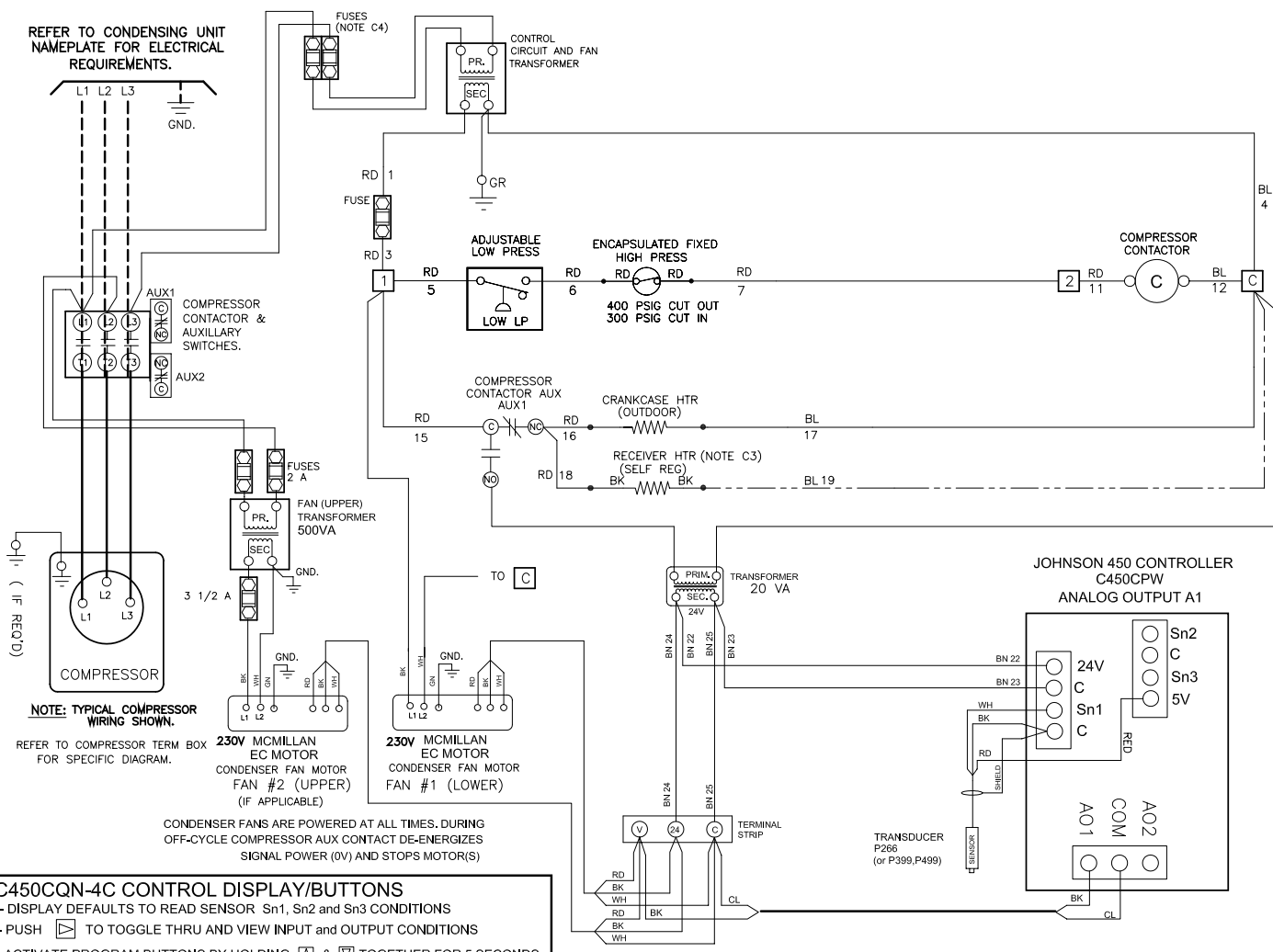
NOTES

- C1. USE COPPER CONDUCTORS ONLY
 - C2. USE 75°C WIRE (OR HIGHER)
 - C3. OPTIONAL COMPONENT
 - C4. ALL FUSES TO BE CLASS CC OR J AND VOLTAGE RATED EQUAL (OR HIGHER) THAN OPERATING VOLTAGE
- CONDUCTORS/WIRNG
- FACTORY WIRING
 - - - OPTIONAL WIRING
 - - - WIRING BY OTHERS
- ALL FIELD WIRING MUST BE DONE IN COMPLIANCE WITH ALL APPLICABLE LOCAL AND NATIONAL CODES.

| REVISIONS | | | DIAGRAM NUMBER |
|------------|----|-----|----------------|
| DATE | BY | LTR | T3Q1W6 |
| SEPT 12/17 | BG | A | |

CONDENSING UNIT WIRING DIAGRAM

- 460V-3-60, or 380/400V-3-50 Hz
- INHERENT LINE BREAK MOTOR PROTECTION
- WITH McMill. EC COND FAN MOTOR & 450CPW JOHNSON CONTROLLER



NOTE: TYPICAL COMPRESSOR WIRING SHOWN.
REFER TO COMPRESSOR TERM BOX FOR SPECIFIC DIAGRAM.

CONDENSER FANS ARE POWERED AT ALL TIMES, DURING OFF-CYCLE COMPRESSOR AUX CONTACT DE-ENERGIZES SIGNAL POWER (0V) AND STOPS MOTOR(S)

C450CQN-4C CONTROL DISPLAY/BUTTONS

- DISPLAY DEFAULTS TO READ SENSOR Sn1, Sn2 and Sn3 CONDITIONS
- PUSH TO TOGGLE THRU AND VIEW INPUT and OUTPUT CONDITIONS
- ACTIVATE PROGRAM BUTTONS BY HOLDING & TOGETHER FOR 5 SECONDS
- SENS IS THEN DISPLAYED AND AVAIL FOR ADJUSTMENTS
- DISPLAY RETURNS TO DEFAULT MODE AFTER TWO MINUTES OF INACTIVITY.
- SELECTS PARTICULAR SENSOR AND OUTPUT
- ADJUSTS THE VALUES WHEN FLASHING. ENTERS THE VALUE.
- MENU BUTTON TOGGLES BETWEEN SENSOR, OUTPUT ANALOG and OUTPUT RELAY(S), PROGRAMMING GROUPS.

CONTROL SETPOINTS

PRESS TO SELECT REQUIRED GROUP
THEN TOGGLE THRU WITH BUTTON FOR EACH SETTING
AND USE UP/DOWN FOR ADJUSTMENTS

SENS (SENSOR INPUTS)

Sn1 - HIGH SIDE PRESS TRANSDUCER Set for: P500
Sn2 - NOT USED Set for: -
Sn3 - NOT USED Set for: -
OFFS - Set for: 0

OUTA1 (OUTPUT ANALOG)

Used for Condenser EC fan motor speed control
Provides Analog 0-10V DC output:
(As Ambient temperature / cond press drops fan slows down)

PULS PULSE (HYBRID ANALOG)
Used for improved condenser EC fan motor performance
LEV=22 (pulse output set at 22% of 10V output)
PER=2 (2 Second pulse period)

"OUTA1" IS FACTORY CONFIGURED FOR THE REQUIRED SYSTEM REFRIGERANT BELOW
R407A / R448A / R449A
SP=165 (Set point at 165psig./80°F Cond Temp)
EP=265 (End point at 265psig results in 100 psi throttle range)
OSP=0 (Output Signal 0% DC volts at SP setting)
OEP=100 (Output End 100% DC volts at EP setting)
I-C = 4 (Integration Constant factor)
UP-R = 1 (Output Signal Update Rate = 1 Second)
bNd = 0 (Output Signal Deadband = 0% of OSP to OEP range)
SNF = ON (Sensor failure mode 10V DC Voltage)
SENS = Sn1 (Assigned Sn1 as controlling sensor)

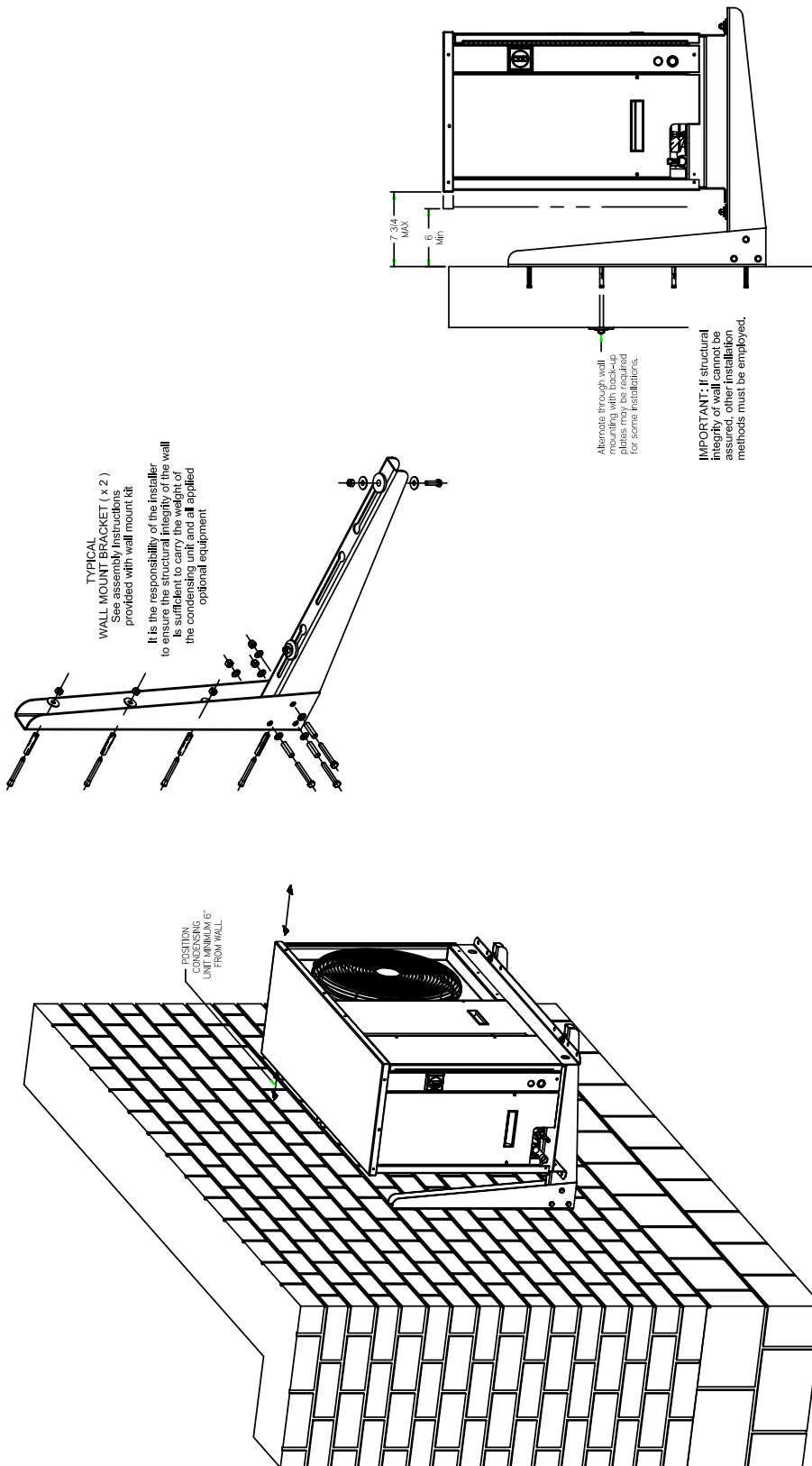
FOR OTHER REFRIGERANT SETTINGS SEE SEPPARATE SET-UP SHEET, QSU-QCU-02

REFER TO SEPARATE SHEET QSU-QCU-02 FOR CONTROL SET-UP PROCEDURE

NOTES


- C1. USE COPPER CONDUCTORS ONLY
 - C2. USE 75°C WIRE (OR HIGHER)
 - C3. OPTIONAL COMPONENT
 - C4. ALL FUSES TO BE CLASS CC OR J AND VOLTAGE RATED EQUAL (OR HIGHER) THAN OPERATING VOLTAGE
- CONDUCTORS/WIRING**
 FACTORY WIRING
 OPTIONAL WIRING
 WIRING BY OTHERS
- ALL FIELD WIRING MUST BE DONE IN COMPLIANCE WITH ALL APPLICABLE LOCAL AND NATIONAL CODES.

| REVISIONS | | | DIAGRAM NUMBER |
|------------|----|-----|----------------|
| DATE | BY | LTR | |
| SEPT 12/17 | BM | A | T4Q1W6 |




| | |
|-------------------|--------------------|
| System | |
| Model Number | Date of Start-Up |
| Serial Number | Service Contractor |
| Refrigerant | Phone |
| Electrical Supply | E-Mail |


| | |
|---|---|
|  <p>PRODUCT SUPPORT</p> | <p><i>web:</i> t-rp.com/tqh <i>email:</i> smcu@t-rp.com <i>call:</i> 1-844-893-3222 x521</p> |
|---|---|

| | |
|---|--|
|  <p>TROUBLESHOOTING</p> | <p><i>email:</i> troubleshooting@t-rp.com <i>call:</i> 1-844-893-3222 x529</p> |
|---|--|

| | |
|---|---|
|  <p>SERVICE PARTS</p> | <p><i>web:</i> t-rp.com/parts <i>email:</i> parts@t-rp.com <i>call:</i> 1-844-893-3222 x521</p> |
|---|---|

| | |
|---|---|
|  <p>WARRANTY</p> | <p><i>web:</i> t-rp.com/warranty <i>email:</i> warranty@t-rp.com <i>call:</i> 1-844-893-3222 x501</p> |
|---|---|

| | |
|--|--|
|  <p>ORDERS</p> | <p><i>email:</i> orders@t-rp.com <i>call:</i> 1-844-893-3222 x501</p> |
|--|--|

| | |
|--|--|
|  <p>SHIPPING</p> | <p><i>email:</i> shipping@t-rp.com <i>call:</i> 1-844-893-3222 x503</p> |
|--|--|



Trenton Refrigeration
Brantford, ON • Longview, TX
1-800-463-9517 info@t-rp.com www.t-rp.com