



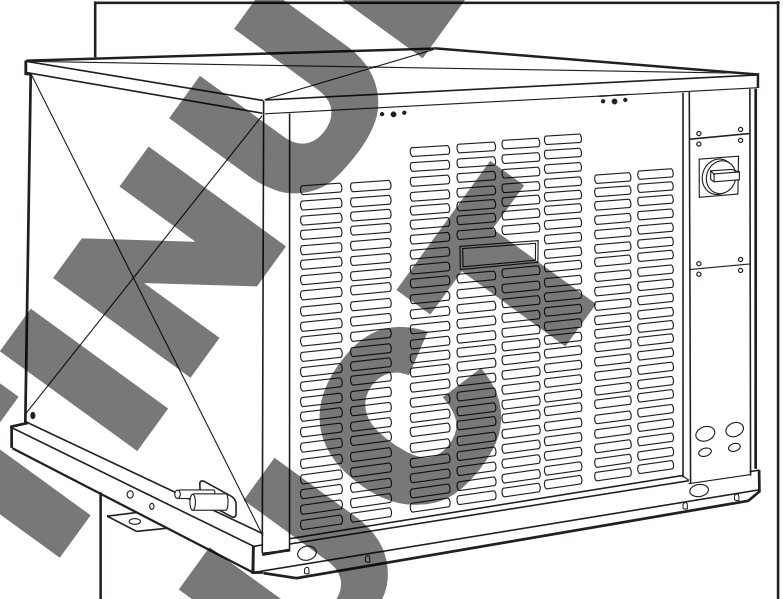
TE-LINE CONDENSING UNITS

60 Hz PRODUCT DATA & SPECIFICATIONS

Outdoor Air-Cooled
Semi-Hermetic
Condensing Units

3 to 7-1/2 HP
High Medium and Low
Temperature Refrigeration

1077388
BULLETIN T40-TE-PDS-60-12



CONTENTS

	Page
Nomenclature.....	2
Features.....	2-4
Capacity Data (Imperial and <i>Metric</i>).....	5 -12
Electrical Data.....	13 - 16
Dimensional Data.....	17, 18
Specifications.....	19, 20
Wiring Diagrams.....	21 - 23

NOMENCLATURE

TEA 075 H 6 - H T3 A

TE Excel Model Series

TEA = Trenton outdoor air cooled Condensing Unit using Copeland Semi-Hermetic compressor
 TEB = Trenton outdoor air cooled Condensing Unit using Bitzer Semi-Hermetic compressor

Nominal HP

075 = 7-1/2 HP

Application Range

H = High and Med. Temp (0 to 45 °F evap temp.)
 M = Med. Temp (Limited within 0 to 25 °F evap temp.)
 L = Low Temp. (-40 to 0 °F evap temp.)

Refrigerant

2 = R22, 6 = R404A/R507

Enclosure

H = Outdoor

Series Generation

A = Latest catalog spec (1st generation)
 X = Special Custom Model
 (Deviates from catalog)

Voltage*

S2 = 208-230/1/60

S3 = 230/1/60

T3 = 208-230/3/60

T4 = 460/3/60

T5 = 575/3/60

* Subject to compressor availability

PRODUCT FEATURES



Compact Design



Large Electrical Panel



Pre-Formed Piping

PRODUCT FEATURES AND BENEFITS

-
- Compact design
 - High efficiency enhanced tube and fin condenser design
 - Factory piped suction line terminated outside unit
 - Pre-formed piping
 - Vertical receiver
 - Quiet fan motor operation
 - Energy efficient PSC condenser fan motor
 - Large electrical control panel away from air flow stream
 - Wide open front design with spring latches and handle on front grille
 - Liquid and suction line access fitting outside the cabinet
 - Each Unit : is subjected to a thorough leak test with Helium leak-detectors ; is run tested and allowed to cycle off on high and low pressure
 - Units are shipped with Helium holding charge
- Smaller foot print, occupies minimum space, allows for better jobsite placement, installation and service
 - Better unit performance
 - Quick jobsite installation
 - Minimizes potential leaks and increases unit reliability
 - Ensures positive liquid seal with less refrigerant
 - Acceptable sound level while unit is operating in residential, commercial and industrial environment
 - Results in savings on power bills
 - Allows free unrestricted air flow and ensures easy access to components and better serviceability
 - Offers quick and unrestricted service access to serviceable parts/components
 - Allows quick service access — saving on service time. Liquid line fitting also provides quick access refrigerant charging
 - Ensures reliable operation
 - Reassures installer that no in-transit leak has occurred.
-

STANDARD FEATURES

- Outdoor weather-resistant housing
- Weather proof electrical control box with compressor contactor and fused control circuit
- Spring-mounted accessible semi-hermetic compressor
- Suction and Discharge vibration eliminator on TEA models
- Solid state motor protection on TEB models
- Copper tubing secured with cushion clamps
- Adjustable dual high/low pressure control
- Oil failure control (on applicable models) with capillary line
- Flooded head pressure control (non-adjustable)
- Crankcase heater

OPTIONAL FEATURES (Factory mounted)

- Sealed Suction filter
- Suction accumulator
- Suction accumulator with boil-out coil
- Discharge line Check valve
- Oil separator
- Oil separator c/w oil return filter & solenoid valve
- Adjustable head pressure control valves
- Receiver inlet ball valve
- Heated and Insulated receiver
- Over-sized receiver
- Sealed liquid line filter drier & sight-glass
- Ball valve - liquid line (shipped loose)
- Insulated suction lines
- Leg Kits
- Discharge air hood
- Sub cooling circuit on 5 and 7.5 HP models
- Flex hoses - for all pressure controls (Dual Pressure, Oil switch, etc..)
- Liquid line solenoid valve-(with standard 230 volt coil)-shipped loose
- Compressor Circuit breaker
- Current sensing relay - for use with Oil safety control (where applicable)
- Defrost heater contactor c/w fuse block
- Evaporator Fan contactor c/w fuse block
- Disconnect switch
- Disconnect Fusing
- Pump down toggle switch
- Lock out control circuit -Liquid solenoid valve with separate HP and LP controls
- Hoffmann Speed control for condenser fan (replaces flooded valve)
- Sentronic oil failure control (where applicable)
- Time delay relay for compressor
- Mechanical Time Clock -Paragon 8145
- Electronic Time Clock
- Electronic Voltage/Phase Monitor

CONDENSING UNIT MODEL	SATURATED SUCTION TEMPERATURE		AMBIENT TEMPERATURE ° F (° C)							
	° F	° C	85 (29.4)	90 (32.2)	95 (35.0)	100 (37.8)	105 (40.6)	110 (43.3)		
TEA030H2 Compressor Model ERF1-0310	45	(7.2)	43230 (12658)	41720 (12216)	40180 (11765)	38610 (11305)	---	---	---	---
	40	(4.4)	39460 (11554)	38070 (11147)	36650 (10731)	35200 (10307)	33730 (9876)	---	---	---
	35	(1.7)	35880 (10506)	34600 (10131)	33290 (9747)	31960 (9358)	30610 (8963)	29220 (8556)		
	30	(-1.1)	32490 (9513)	31310 (9168)	30110 (8816)	28890 (8459)	27650 (8096)	26390 (7727)		
	25	(-3.9)	29290 (8576)	28210 (8260)	27110 (7938)	26000 (7613)	24860 (7279)	23720 (6945)		
	20	(-6.7)	26290 (7698)	25290 (7405)	24290 (7112)	23270 (6813)	22250 (6515)	21210 (6210)		
	15	(-9.4)	23480 (6875)	22570 (6608)	21650 (6339)	20730 (6070)	19800 (5797)	18860 (5522)		
	10	(-12.2)	20870 (6111)	20030 (5865)	19190 (5619)	18360 (5376)	17520 (5130)	16680 (4884)		
	5	(-15.0)	18450 (5402)	17680 (5177)	16920 (4954)	16160 (4732)	15410 (4512)	14650 (4290)		
TEA040H2 Compressor Model NRB2-0400	45	(7.2)	60630 (17752)	58280 (17064)	55990 (16394)	53780 (15747)	51660 (15126)	49620 (14529)		
	40	(4.4)	55180 (16157)	53000 (15518)	50900 (14904)	48870 (14309)	46920 (13738)	45060 (13194)		
	35	(1.7)	50000 (14640)	48000 (14054)	46060 (13486)	44200 (12942)	42420 (12421)	40730 (11926)		
	30	(-1.1)	45100 (13205)	43250 (12664)	41470 (12142)	39770 (11645)	38140 (11167)	36600 (10716)		
	25	(-3.9)	40450 (11844)	38750 (11346)	37110 (10866)	35550 (10409)	34060 (9973)	32660 (9563)		
	20	(-6.7)	36050 (10555)	34480 (10096)	32970 (9654)	31530 (9232)	30180 (8837)	28900 (8462)		
	15	(-9.4)	31880 (9334)	30430 (8910)	29030 (8500)	27710 (8113)	26460 (7747)	25290 (7405)		
	10	(-12.2)	27930 (8178)	26570 (7780)	25280 (7402)	24050 (7042)	22890 (6702)	21810 (6386)		
	5	(-15.0)	24170 (7077)	22900 (6705)	21680 (6348)	20530 (6011)	19450 (5695)	18440 (5399)		
TEA050H2 Compressor Model 2DC3-0500	45	(7.2)	71050 (20803)	68710 (20118)	66370 (19433)	64030 (18748)	61690 (18063)	59350 (17378)		
	40	(4.4)	64680 (18938)	62510 (18303)	60330 (17665)	58160 (17029)	56000 (16397)	53830 (15761)		
	35	(1.7)	58670 (17179)	56660 (16590)	54650 (16002)	52640 (15413)	50630 (14824)	48630 (14239)		
	30	(-1.1)	53030 (15527)	51160 (14980)	49300 (14435)	47440 (13890)	45580 (13346)	43720 (12801)		
	25	(-3.9)	47730 (13975)	46000 (13469)	44280 (12965)	42550 (12459)	40830 (11955)	39110 (11451)		
	20	(-6.7)	42770 (12523)	41160 (12052)	39560 (11583)	37960 (11115)	36360 (10646)	34770 (10181)		
	15	(-9.4)	38120 (11162)	36630 (10725)	35140 (10289)	33650 (9853)	32160 (9416)	30680 (8983)		
	10	(-12.2)	33770 (9888)	32380 (9481)	30990 (9074)	29600 (8667)	28210 (8260)	26830 (7856)		
	5	(-15.0)	29710 (8699)	28400 (8316)	27090 (7932)	25790 (7551)	24490 (7171)	23190 (6790)		
TEA051H2 Compressor Model 2DD3-0500	45	(7.2)	80180 (23477)	77560 (22710)	74930 (21940)	72320 (21175)	69690 (20405)	67070 (19638)		
	40	(4.4)	73200 (21433)	70770 (20721)	68350 (20013)	65920 (19301)	63500 (18593)	61080 (17884)		
	35	(1.7)	66590 (19498)	64350 (18842)	62110 (18186)	59870 (17530)	57640 (16877)	55400 (16221)		
	30	(-1.1)	60350 (17670)	58280 (17064)	56210 (16458)	54150 (15855)	52090 (15252)	50040 (14652)		
	25	(-3.9)	54470 (15949)	52560 (15390)	50650 (14830)	48750 (14274)	46850 (13718)	44960 (13164)		
	20	(-6.7)	48940 (14330)	47180 (13814)	45410 (13296)	43650 (12781)	41900 (12268)	40160 (11759)		
	15	(-9.4)	43750 (12810)	42110 (12330)	40480 (11853)	38850 (11375)	37240 (10904)	35620 (10430)		
	10	(-12.2)	38880 (11384)	37350 (10936)	35840 (10494)	34330 (10052)	32830 (9613)	31340 (9176)		
	5	(-15.0)	34310 (10046)	32890 (9630)	31470 (9214)	30060 (8802)	28670 (8395)	27280 (7988)		
TEA075H2 Compressor Model 2DL3-0750	45	(7.2)	96090 (28135)	93020 (27236)	89940 (26334)	86840 (25427)	83730 (24516)	---	---	---
	40	(4.4)	88070 (25787)	85240 (24958)	82390 (24124)	79530 (23286)	76650 (22443)	73770 (21600)		
	35	(1.7)	80460 (23559)	77860 (22797)	75230 (22027)	72590 (21254)	69940 (20478)	67280 (19700)		
	30	(-1.1)	73260 (21451)	70860 (20748)	68440 (20039)	66010 (19328)	63580 (18616)	61140 (17902)		
	25	(-3.9)	66430 (19451)	64230 (18807)	62010 (18157)	59780 (17504)	57540 (16848)	55310 (16195)		
	20	(-6.7)	59970 (17559)	57950 (16968)	55910 (16370)	53870 (15773)	51820 (15173)	49770 (14573)		
	15	(-9.4)	53850 (15767)	51990 (15223)	50120 (14675)	48250 (14128)	46380 (13580)	44510 (13033)		
	10	(-12.2)	48040 (14066)	46330 (13565)	44620 (13065)	42900 (12561)	41190 (12060)	39480 (11560)		
	5	(-15.0)	42510 (12447)	40940 (11987)	39370 (11528)	37790 (11065)	36220 (10605)	34660 (10148)		
TEA076H2 Compressor Model 2DA3-0750	45	(7.2)	105240 (30814)	101800 (29807)	98350 (28797)	94870 (27778)	---	---	---	---
	40	(4.4)	96910 (28375)	93750 (27450)	90580 (26522)	87370 (25582)	84150 (24639)	---	---	---
	35	(1.7)	88900 (26030)	86000 (25181)	83080 (24326)	80130 (23462)	77150 (22590)	74160 (21714)		
	30	(-1.1)	81210 (23778)	78540 (22997)	75850 (22209)	73130 (21412)	70390 (20610)	67600 (19793)		
	25	(-3.9)	73830 (21617)	71370 (20897)	68890 (20171)	66380 (19436)	63820 (18686)	61230 (17928)		
	20	(-6.7)	66770 (19550)	64490 (18883)	62180 (18206)	59840 (17521)	57460 (16824)	55040 (16116)		
	15	(-9.4)	60010 (17571)	57890 (16950)	55730 (16318)	53530 (15674)	51290 (15018)	49000 (14347)		
	10	(-12.2)	53550 (15679)	51550 (15094)	49500 (14494)	47420 (13885)	45280 (13258)	43100 (12620)		
	5	(-15.0)	47370 (13870)	45450 (13308)	43490 (12734)	41480 (12145)	39430 (11545)	37330 (10930)		

--- Outside Operating Range
Exact compressor model may vary with voltages

CONDENSING UNIT MODEL	SATURATED SUCTION TEMPERATURE ° F ° C		AMBIENT TEMPERATURE ° F (° C)							
			85 (29.4)	90 (32.2)	95 (35.0)	100 (37.8)	105 (40.6)	110 (43.3)		
TEA030M2 Compressor Model 3RA1-0310	25 (-3.9)	33350 (9765)	32170 (9419)	30990 (9074)	29800 (8725)	28590 (8371)	27370 (8014)			
	20 (-6.7)	30260 (8860)	29130 (8529)	28000 (8198)	26860 (7865)	25700 (7525)	24530 (7182)			
	15 (-9.4)	27280 (7988)	26220 (7677)	25150 (7364)	24060 (7045)	22960 (6723)	21850 (6398)			
	10 (-12.2)	24440 (7156)	23440 (6863)	22430 (6568)	21410 (6269)	20370 (5964)	19310 (5654)			
	5 (-15.0)	21710 (6357)	20790 (6087)	19850 (5812)	18900 (5534)	17930 (5250)	16940 (4960)			
TEA050M2 Compressor Model NRM1-0500	25 (-3.9)	56240 (16467)	54310 (15902)	52400 (15343)	50480 (14781)	48540 (14213)	46580 (13639)			
	20 (-6.7)	50650 (14830)	48900 (14318)	47150 (13806)	45400 (13293)	43630 (12775)	41850 (12254)			
	15 (-9.4)	45480 (13317)	43880 (12848)	42280 (12380)	40690 (11914)	39090 (11446)	37460 (10968)			
	10 (-12.2)	40700 (11917)	39250 (11492)	37800 (11068)	36350 (10643)	34900 (10219)	33420 (9785)			
	5 (-15.0)	36320 (10634)	35000 (10248)	33690 (9864)	32380 (9481)	31060 (9094)	29720 (8702)			

**R404A/R507 - HIGH & MEDIUM TEMPERATURE
CAPACITY BTU/HR (WATTS)**

CONDENSING UNIT MODEL	SATURATED SUCTION TEMPERATURE ° F ° C		AMBIENT TEMPERATURE ° F (° C)							
			85 (29.4)	90 (32.2)	95 (35.0)	100 (37.8)	105 (40.6)	110 (43.3)		
TEA050H6 Compressor Model 2DC3-050E	40 (4.4)	66260 (19401)	63070 (18467)	59920 (17545)	56790 (16628)	53690 (15720)	50630 (14824)			
	35 (1.7)	60610 (17747)	57700 (16895)	54810 (16048)	51940 (15208)	49110 (14379)	46300 (13557)			
	30 (-1.1)	55200 (16163)	52540 (15384)	49910 (14614)	47300 (13849)	44720 (13094)	42170 (12347)			
	25 (-3.9)	50040 (14652)	47630 (13946)	45240 (13246)	42880 (12555)	40540 (11870)	38220 (11191)			
	20 (-6.7)	45150 (13220)	42970 (12582)	40820 (11952)	38690 (11328)	36570 (10708)	34480 (10096)			
	15 (-9.4)	40530 (11867)	38580 (11296)	36640 (10728)	34730 (10169)	32840 (9616)	30960 (9065)			
	10 (-12.2)	36210 (10602)	34470 (10093)	32740 (9586)	31030 (9086)	29330 (8588)	27660 (8099)			
	5 (-15.0)	32190 (9425)	30650 (8974)	29110 (8523)	27590 (8078)	26080 (7636)	24590 (7200)			
	0 (-17.8)	28500 (8345)	27130 (7944)	25770 (7545)	24420 (7150)	23080 (6758)	21750 (6368)			
	-5 (-20.6)	25130 (7358)	23920 (7004)	22730 (6655)	21530 (6304)	20350 (5958)	19170 (5613)			
TEA051H6 Compressor Model 2DD3-050E	40 (4.4)	76190 (22308)	72660 (21275)	69110 (20235)	65540 (19190)	61960 (18142)	58370 (17091)			
	35 (1.7)	70010 (20499)	66770 (19550)	63520 (18599)	60250 (17641)	56970 (16681)	53680 (15718)			
	30 (-1.1)	64030 (18748)	61070 (17881)	58100 (17012)	55130 (16142)	52130 (15264)	49130 (14385)			
	25 (-3.9)	58270 (17061)	55580 (16274)	52880 (15483)	50190 (14696)	47480 (13902)	44760 (13106)			
	20 (-6.7)	52770 (15451)	50330 (14737)	47900 (14025)	45460 (13311)	43020 (12596)	40570 (11879)			
	15 (-9.4)	47540 (13920)	45350 (13278)	43160 (12637)	40970 (11996)	38780 (11355)	36590 (10714)			
	10 (-12.2)	42630 (12482)	40660 (11905)	38700 (11331)	36750 (10760)	34800 (10189)	32850 (9618)			
	5 (-15.0)	38050 (11141)	36290 (10626)	34540 (10113)	32810 (9607)	31080 (9100)	29360 (8597)			
	0 (-17.8)	33840 (9908)	32270 (9449)	30720 (8995)	29190 (8547)	27670 (8102)	26160 (7660)			
	-5 (-20.6)	30020 (8790)	28630 (8383)	27250 (7979)	25900 (7584)	24570 (7194)	23260 (6811)			
TEA075H6 Compressor Model 2DL3-075E	40 (4.4)	88330 (25863)	84230 (24663)	80140 (23465)	76060 (22270)	71980 (21076)	67910 (19884)			
	35 (1.7)	81450 (23849)	77700 (22751)	73950 (21653)	70220 (20560)	66480 (19465)	62750 (18373)			
	30 (-1.1)	74800 (21904)	71370 (20897)	67970 (19902)	64550 (18900)	61150 (17905)	57750 (16909)			
	25 (-3.9)	68400 (20028)	65290 (19117)	62190 (18209)	59100 (17304)	56010 (16400)	52920 (15495)			
	20 (-6.7)	62270 (18233)	59460 (17410)	56660 (16590)	53860 (15770)	51070 (14953)	48280 (14136)			
	15 (-9.4)	56450 (16529)	53910 (15785)	51390 (15047)	48870 (14309)	46370 (13577)	43860 (12842)			
	10 (-12.2)	50940 (14915)	48670 (14251)	46400 (13586)	44150 (12927)	41900 (12268)	39650 (11610)			
	5 (-15.0)	45790 (13407)	43750 (12810)	41720 (12216)	39710 (11627)	37690 (11036)	35680 (10447)			
	0 (-17.8)	41000 (12005)	39180 (11472)	37370 (10942)	35560 (10412)	33760 (9885)	31970 (9361)			
	-5 (-20.6)	36610 (10719)	34970 (10239)	33350 (9765)	31730 (9291)	30120 (8819)	28510 (8348)			
TEA076H6 Compressor Model 2DA3-075E	40 (4.4)	97240 (28472)	92670 (27134)	88130 (25804)	83600 (24478)	79090 (23158)	74600 (21843)			
	35 (1.7)	90060 (26370)	85870 (25143)	81690 (23919)	77520 (22698)	73380 (21486)	69260 (20279)			
	30 (-1.1)	83130 (24340)	79290 (23216)	75470 (22098)	71660 (20982)	67860 (19869)	64090 (18766)			
	25 (-3.9)	76460 (22387)	72970 (21366)	69480 (20344)	66010 (19328)	62540 (18312)	59090 (17302)			
	20 (-6.7)	70070 (20516)	66910 (19591)	63740 (18663)	60570 (17735)	57420 (16813)	54280 (15893)			
	15 (-9.4)	63980 (18733)	61120 (17896)	58240 (17053)	55380 (16215)	52520 (15378)	49660 (14540)			
	10 (-12.2)	58200 (17041)	55610 (16283)	53010 (15521)	50420 (14763)	47820 (14002)	45230 (13243)			
	5 (-15.0)	52730 (15439)	50400 (14757)	48040 (14066)	45690 (13378)	43330 (12687)	40980 (11999)			
	0 (-17.8)	47590 (13934)	45470 (13314)	43340 (12690)	41200 (12063)	39050 (11434)	36900 (10804)			
	-5 (-20.6)	42770 (12523)	40840 (11958)	38900 (11390)	36940 (10816)	34970 (10239)	32990 (9659)			

Exact compressor model may vary with voltages

TEA**R404A/R507 - MEDIUM TEMPERATURE
CAPACITY BTU/H (WATTS)****60Hz**

CONDENSING UNIT MODEL	SATURATED SUCTION TEMPERATURE °F °C		AMBIENT TEMPERATURE °F (°C)							
			85 (29.4)	90 (32.2)	95 (35.0)	100 (37.8)	105 (40.6)	110 (43.3)		
TEA030M6 Compressor Model ERFA-031E	25 (-3.9)		31330 (9173)	29860 (8743)	28360 (8304)	26840 (7859)	25320 (7414)	23780 (6963)		
	20 (-6.7)		28410 (8318)	27070 (7926)	25700 (7525)	24320 (7121)	22930 (6714)	21530 (6304)		
	15 (-9.4)		25680 (7519)	24450 (7159)	23210 (6796)	21950 (6427)	20690 (6058)	19420 (5686)		
	10 (-12.2)		23130 (6772)	22010 (6445)	20880 (6114)	19730 (5777)	18580 (5440)	17430 (5104)		
	5 (-15.0)		20750 (6076)	19730 (5777)	18700 (5475)	17650 (5168)	16600 (4860)	15550 (4553)		
	0 (-17.8)		18520 (5423)	17590 (5150)	16640 (4872)	15680 (4591)	14720 (4310)	13770 (4032)		
	-5 (-20.6)		16440 (4814)	15570 (4559)	14700 (4304)	13810 (4044)	12930 (3786)	12050 (3528)		
TEA035M6 Compressor Model 3RAA-031E	25 (-3.9)		38950 (11405)	36840 (10787)	34730 (10169)	32640 (9557)	30550 (8945)	28480 (8339)		
	20 (-6.7)		35150 (10292)	33220 (9727)	31300 (9165)	29390 (8605)	27490 (8049)	25600 (7496)		
	15 (-9.4)		31550 (9238)	29790 (8723)	28050 (8213)	26320 (7706)	24590 (7200)	22880 (6699)		
	10 (-12.2)		28150 (8242)	26560 (7777)	24980 (7314)	23410 (6854)	21850 (6398)	20310 (5947)		
	5 (-15.0)		24970 (7311)	23530 (6890)	22100 (6471)	20680 (6055)	19270 (5642)	17870 (5232)		
	0 (-17.8)		21990 (6439)	20690 (6058)	19390 (5677)	18110 (5303)	16840 (4931)	15580 (4562)		
	-5 (-20.6)		19220 (5628)	18040 (5282)	16870 (4940)	15700 (4597)	14550 (4260)	13420 (3929)		
TEA040M6 Compressor Model NRB2-040E	25 (-3.9)		42870 (12552)	40600 (11888)	38350 (11229)	36110 (10573)	33900 (9926)	31710 (9285)		
	20 (-6.7)		38720 (11337)	36650 (10731)	34600 (10131)	32570 (9536)	30560 (8948)	28570 (8365)		
	15 (-9.4)		34820 (10195)	32930 (9642)	31070 (9097)	29230 (8559)	27410 (8026)	25610 (7499)		
	10 (-12.2)		31150 (9121)	29440 (8620)	27740 (8122)	26070 (7633)	24420 (7150)	22800 (6676)		
	5 (-15.0)		27700 (8111)	26140 (7654)	24600 (7203)	23080 (6758)	21580 (6319)	20110 (5888)		
	0 (-17.8)		24450 (7159)	23020 (6740)	21610 (6327)	20230 (5923)	18860 (5522)	17530 (5133)		
	-5 (-20.6)		21370 (6257)	20050 (5871)	18760 (5493)	17480 (5118)	16230 (4752)	15010 (4395)		

Exact compressor model may vary with voltages

R404A/R507 - LOW TEMPERATURE CAPACITY BTU/H (WATTS)

CONDENSING UNIT MODEL	SATURATED SUCTION TEMPERATURE		AMBIENT TEMPERATURE ° F (° C)									
	° F	° C	85 (29.4)	90 (32.2)	95 (35.0)	100 (37.8)	105 (40.6)	110 (43.3)				
TEA030L6 Compressor Model LAHA-032E	0	-17.8)	26650 (7803)	25250 (7393)	23870 (6989)	22490 (6585)	21090 (6175)	19680 (5762)				
	-5	-20.6)	23750 (6954)	22470 (6579)	21190 (6204)	19900 (5827)	18610 (5449)	17300 (5065)				
	-10	-23.3)	20990 (6146)	19810 (5800)	18630 (5455)	17440 (5106)	16250 (4758)	15030 (4401)				
	-15	-26.1)	18360 (5376)	17280 (5060)	16200 (4743)	15110 (4424)	14020 (4105)	12900 (3777)				
	-20	-28.9)	15870 (4647)	14890 (4360)	13920 (4076)	12930 (3786)	11930 (3493)	10910 (3194)				
	-25	-31.7)	13550 (3967)	12670 (3710)	11780 (3449)	10900 (3192)	9990 (2925)	9060 (2653)				
	-30	-34.4)	11380 (3332)	10600 (3104)	9820 (2875)	9020 (2641)	8210 (2404)	7370 (2158)				
	-35	-37.2)	9400 (2752)	8710 (2550)	8030 (2351)	7330 (2146)	6610 (1935)	5860 (1716)				
	-40	-40.0)	7600 (2225)	7020 (2055)	6420 (1880)	5820 (1704)	5190 (1520)	4520 (1323)				
TEA031L6 Compressor Model NRD1-032E	0	-17.8)	29450 (8623)	27950 (8184)	26450 (7745)	24950 (7305)	23480 (6875)	22040 (6453)				
	-5	-20.6)	26360 (7718)	25000 (7320)	23640 (6922)	22280 (6524)	20960 (6134)	19660 (5756)				
	-10	-23.3)	23530 (6890)	22300 (6529)	21060 (6166)	19850 (5812)	18650 (5461)	17500 (5124)				
	-15	-26.1)	20920 (6125)	19800 (5797)	18690 (5472)	17600 (5153)	16540 (4843)	15520 (4544)				
	-20	-28.9)	18490 (5414)	17480 (5118)	16480 (4825)	15510 (4541)	14570 (4266)	13680 (4006)				
	-25	-31.7)	16190 (4740)	15280 (4474)	14380 (4210)	13520 (3959)	12690 (3716)	11920 (3490)				
	-30	-34.4)	13960 (4087)	13150 (3850)	12350 (3616)	11580 (3391)	10860 (3180)	10190 (2984)				
	-35	-37.2)	11770 (3446)	11030 (3230)	10320 (3022)	9640 (2823)	9010 (2638)	8440 (2471)				
	-40	-40.0)	9550 (2796)	8880 (2600)	8240 (2413)	7630 (2234)	7080 (2073)	6600 (1932)				
TEA032L6 Compressor Model LACA-032E	0	-17.8)	---	---	---	---	---	---	---	---	---	---
	-5	-20.6)	---	---	---	---	---	---	---	---	---	---
	-10	-23.3)	---	---	---	---	---	---	---	---	---	---
	-15	-26.1)	---	---	---	---	---	---	---	---	---	---
	-20	-28.9)	19310 (5654)	18220 (5335)	17140 (5019)	16070 (4705)	15030 (4401)	14010 (4102)				
	-25	-31.7)	16820 (4925)	15810 (4629)	14810 (4336)	13820 (4046)	12840 (3760)	11870 (3476)				
	-30	-34.4)	14470 (4237)	13570 (3973)	12670 (3710)	11770 (3446)	10880 (3186)	9990 (2925)				
	-35	-37.2)	12210 (3575)	11440 (3350)	10660 (3121)	9890 (2896)	9110 (2667)	8330 (2439)				
	-40	-40.0)	9990 (2925)	9380 (2746)	8770 (2568)	8140 (2383)	7500 (2196)	6850 (2006)				
TEA035L6 Compressor Model 2DF3-030E	0	-17.8)	33210 (9724)	31580 (9247)	29980 (8778)	28400 (8316)	26820 (7853)	25260 (7396)				
	-5	-20.6)	29850 (8740)	28390 (8313)	26950 (7891)	25540 (7478)	24130 (7065)	22710 (6649)				
	-10	-23.3)	26660 (7806)	25360 (7425)	24080 (7051)	22810 (6679)	21540 (6307)	20270 (5935)				
	-15	-26.1)	23650 (6925)	22490 (6585)	21350 (6251)	20210 (5917)	19070 (5584)	17930 (5250)				
	-20	-28.9)	20840 (6102)	19810 (5800)	18780 (5499)	17760 (5200)	16730 (4899)	15680 (4591)				
	-25	-31.7)	18240 (5341)	17300 (5065)	16380 (4796)	15450 (4524)	14500 (4246)	13540 (3965)				
	-30	-34.4)	15840 (4638)	14990 (4389)	14140 (4140)	13280 (3888)	12400 (3631)	11500 (3367)				
	-35	-37.2)	13650 (3997)	12860 (3765)	12070 (3534)	11260 (3297)	10420 (3051)	9560 (2799)				
	-40	-40.0)	11680 (3420)	10920 (3197)	10160 (2975)	9380 (2746)	8560 (2506)	7710 (2257)				
TEA040L6 Compressor Model 2DL3-040E	0	-17.8)	40500 (11858)	38610 (11305)	36730 (10755)	34850 (10204)	32980 (9657)	31100 (9106)				
	-5	-20.6)	36420 (10664)	34720 (10166)	33020 (9668)	31320 (9170)	29620 (8673)	27920 (8175)				
	-10	-23.3)	32580 (9539)	31050 (9091)	29510 (8641)	27980 (8193)	26440 (7742)	24910 (7294)				
	-15	-26.1)	28970 (8482)	27590 (8078)	26210 (7674)	24830 (7270)	23440 (6863)	22060 (6459)				
	-20	-28.9)	25600 (7496)	24350 (7130)	23110 (6767)	21870 (6404)	20620 (6038)	19370 (5672)				
	-25	-31.7)	22450 (6573)	21330 (6245)	20220 (5920)	19090 (5590)	17970 (5262)	16850 (4934)				
	-30	-34.4)	19540 (5721)	18530 (5426)	17520 (5130)	16510 (4834)	15490 (4535)	14470 (4237)				
	-35	-37.2)	16850 (4934)	15930 (4664)	15010 (4395)	14090 (4126)	13160 (3853)	12230 (3581)				
	-40	-40.0)	14380 (4210)	13540 (3965)	12690 (3716)	11840 (3467)	10990 (3218)	10130 (2966)				
TEA060L6 Compressor Model 2DB3-060E	0	-17.8)	50110 (14672)	47880 (14019)	45640 (13363)	43400 (12708)	41130 (12043)	38840 (11372)				
	-5	-20.6)	45110 (13208)	43090 (12617)	41080 (12028)	39060 (11437)	37030 (10842)	34980 (10242)				
	-10	-23.3)	40380 (11823)	38560 (11290)	36760 (10763)	34950 (10233)	33130 (9700)	31300 (9165)				
	-15	-26.1)	35930 (10520)	34300 (10043)	32680 (9569)	31060 (9094)	29440 (8620)	27810 (8143)				
	-20	-28.9)	31760 (9299)	30290 (8869)	28840 (8444)	27390 (8020)	25950 (7598)	24510 (7177)				
	-25	-31.7)	27880 (8163)	26540 (7771)	25230 (7387)	23940 (7010)	22660 (6635)	21380 (6260)				
	-30	-34.4)	24270 (7106)	23050 (6749)	21860 (6401)	20700 (6061)	19560 (5727)	18420 (5393)				
	-35	-37.2)	20920 (6125)	19800 (5797)	18710 (5478)	17660 (5171)	16630 (4869)	15620 (4574)				
	-40	-40.0)	17830 (5221)	16790 (4916)	15780 (4620)	14820 (4339)	13880 (4064)	12960 (3795)				

--- Outside Operating Range
Exact compressor model may vary with voltages

TEA**R404A/R507 - LOW TEMPERATURE (CONT'D)****60Hz****CAPACITY BTU/H (WATTS)**

CONDENSING UNIT MODEL	SATURATED SUCTION TEMPERATURE °F °C		AMBIENT TEMPERATURE °F (°C)							
			85 (29.4)	90 (32.2)	95 (35.0)	100 (37.8)	105 (40.6)	110 (43.3)		
TEA061L6 Compressor Model 3DA3A060E	0 (-17.8)	54630 (15996)	52300 (15313)	49990 (14637)	47670 (13958)	45330 (13273)	42960 (12579)			
	-5 (-20.6)	49260 (14423)	47180 (13814)	45110 (13208)	43040 (12602)	40930 (11984)	38780 (11355)			
	-10 (-23.3)	44170 (12933)	42320 (12391)	40480 (11853)	38620 (11308)	36730 (10755)	34780 (10184)			
	-15 (-26.1)	39380 (11530)	37740 (11050)	36100 (10570)	34430 (10081)	32720 (9580)	30960 (9065)			
	-20 (-28.9)	34900 (10219)	33440 (9791)	31980 (9364)	30480 (8925)	28940 (8474)	27320 (7999)			
	-25 (-31.7)	30750 (9004)	29450 (8623)	28140 (8239)	26790 (7844)	25370 (7428)	23880 (6992)			
	-30 (-34.4)	26940 (7888)	25770 (7545)	24580 (7197)	23340 (6834)	22030 (6450)	20640 (6043)			
	-35 (-37.2)	23470 (6872)	22410 (6562)	21310 (6240)	20160 (5903)	18930 (5543)	17600 (5153)			
	-40 (-40.0)	20360 (5961)	19370 (5672)	18330 (5367)	17230 (5045)	16040 (4697)	14760 (4322)			
TEA075L6 Compressor Model 3DB3A075E	0 (-17.8)	62460 (18288)	59770 (17501)	57110 (16722)	54480 (15952)	51870 (15188)	---	---		
	-5 (-20.6)	56450 (16529)	54060 (15829)	51690 (15135)	49340 (14447)	47010 (13765)	---	---		
	-10 (-23.3)	50770 (14865)	48660 (14248)	46550 (13630)	44460 (13018)	42380 (12409)	40300 (11800)			
	-15 (-26.1)	45440 (13305)	43560 (12754)	41700 (12210)	39830 (11662)	37960 (11115)	36090 (10567)			
	-20 (-28.9)	40440 (11841)	38780 (11355)	37120 (10869)	35450 (10380)	33760 (9885)	32070 (9390)			
	-25 (-31.7)	35780 (10476)	34300 (10043)	32810 (9607)	31300 (9165)	29760 (8714)	28210 (8260)			
	-30 (-34.4)	31450 (9209)	30120 (8819)	28760 (8421)	27370 (8014)	25950 (7598)	24500 (7174)			
	-35 (-37.2)	27430 (8032)	26210 (7674)	24950 (7305)	23650 (6925)	22300 (6529)	20920 (6125)			
	-40 (-40.0)	23720 (6945)	22560 (6606)	21360 (6254)	20100 (5885)	18800 (5505)	17440 (5106)			

--- Outside Operating Range

Exact compressor model may vary with voltages

TEB**R404A/R507 - LOW TEMPERATURE
CAPACITY BTU/H (WATTS)****60Hz**

CONDENSING UNIT MODEL	SATURATED SUCTION TEMPERATURE		AMBIENT TEMPERATURE ° F (° C)										
	° F	° C	85 (29.4)	90 (32.2)	95 (35.0)	100 (37.8)	105 (40.6)	110 (43.3)					
TEB030L6 Compressor Model 2CC-3.2Y	0 (-17.8)	26700 (7818)	25300 (7408)	23920 (7004)	22550 (6603)	21190 (6204)	19860 (5815)						
	-5 (-20.6)	23870 (6989)	22600 (6617)	21350 (6251)	20110 (5888)	18890 (5531)	17680 (5177)						
	-10 (-23.3)	21190 (6204)	20050 (5871)	18920 (5540)	17800 (5212)	16700 (4890)	15610 (4571)						
	-15 (-26.1)	18670 (5467)	17640 (5165)	16620 (4866)	15620 (4574)	14630 (4284)	13650 (3997)						
	-20 (-28.9)	16310 (4776)	15390 (4506)	14470 (4237)	13570 (3973)	12670 (3710)	11790 (3452)						
	-25 (-31.7)	14110 (4131)	13280 (3888)	12450 (3645)	11640 (3408)	10830 (3171)	10040 (2940)						
	-30 (-34.4)	12070 (3534)	11320 (3314)	10580 (3098)	9840 (2881)	9110 (2667)	8400 (2460)						
	-35 (-37.2)	10190 (2984)	9510 (2785)	8830 (2585)	8160 (2389)	7500 (2196)	6840 (2003)						
	-40 (-40.0)	8470 (2480)	7840 (2296)	7210 (2114)	6600 (1932)	5990 (1754)	5390 (1578)						
TEB031L6 Compressor Model 4FC-3.2Y	0 (-17.8)	29100 (8520)	27660 (8099)	26230 (7680)	24820 (7267)	23410 (6854)	22020 (6447)						
	-5 (-20.6)	26060 (7630)	24750 (7247)	23460 (6869)	22180 (6494)	20910 (6122)	19660 (5756)						
	-10 (-23.3)	23180 (6787)	22000 (6442)	20840 (6102)	19680 (5762)	18540 (5429)	17410 (5098)						
	-15 (-26.1)	20470 (5994)	19400 (5680)	18350 (5373)	17320 (5071)	16300 (4773)	15290 (4477)						
	-20 (-28.9)	17920 (5247)	16960 (4966)	16020 (4691)	15090 (4418)	14180 (4152)	13280 (3888)						
	-25 (-31.7)	15540 (4550)	14680 (4298)	13830 (4049)	13000 (3806)	12190 (3569)	11380 (3332)						
	-30 (-34.4)	13320 (3900)	12540 (3672)	11790 (3452)	11040 (3233)	10310 (3019)	9600 (2811)						
	-35 (-37.2)	11250 (3294)	10560 (3092)	9880 (2893)	9210 (2697)	8550 (2503)	7910 (2316)						
	-40 (-40.0)	9350 (2738)	8720 (2553)	8100 (2372)	7490 (2193)	6910 (2023)	6330 (1853)						
TEB039L6 Compressor Model 4EC-4.2Y	0 (-17.8)	36360 (10646)	34500 (10102)	32660 (9563)	30850 (9033)	29060 (8509)	27300 (7993)						
	-5 (-20.6)	32630 (9554)	30940 (9059)	29280 (8573)	27640 (8093)	26020 (7619)	24420 (7150)						
	-10 (-23.3)	29100 (8520)	27570 (8072)	26070 (7633)	24590 (7200)	23140 (6775)	21700 (6354)						
	-15 (-26.1)	25770 (7545)	24400 (7144)	23040 (6746)	21720 (6360)	20410 (5976)	19120 (5598)						
	-20 (-28.9)	22650 (6632)	21420 (6272)	20200 (5915)	19010 (5566)	17840 (5224)	16690 (4887)						
	-25 (-31.7)	19730 (5777)	18620 (5452)	17530 (5133)	16470 (4822)	15420 (4515)	14390 (4213)						
	-30 (-34.4)	17010 (4981)	16020 (4691)	15040 (4404)	14080 (4123)	13140 (3847)	12220 (3578)						
	-35 (-37.2)	14490 (4243)	13590 (3979)	12710 (3721)	11850 (3470)	11010 (3224)	10190 (2984)						
	-40 (-40.0)	12150 (3558)	11340 (3320)	10550 (3089)	9770 (2861)	9010 (2638)	8260 (2419)						
TEB050L6 Compressor Model 4DC-5.2Y	0 (-17.8)	45220 (13240)	43020 (12596)	40850 (11961)	38690 (11328)	36560 (10705)	34440 (10084)						
	-5 (-20.6)	40450 (11844)	38470 (11264)	36500 (10687)	34560 (10119)	32630 (9554)	30730 (8998)						
	-10 (-23.3)	35960 (10529)	34180 (10008)	32410 (9490)	30660 (8977)	28930 (8471)	27220 (7970)						
	-15 (-26.1)	31750 (9296)	30140 (8825)	28560 (8362)	26990 (7903)	25450 (7452)	23920 (7004)						
	-20 (-28.9)	27810 (8143)	26370 (7721)	24950 (7305)	23550 (6895)	22170 (6491)	20810 (6093)						
	-25 (-31.7)	24140 (7068)	22850 (6690)	21580 (6319)	20330 (5953)	19100 (5592)	17900 (5241)						
	-30 (-34.4)	20730 (6070)	19570 (5730)	18440 (5399)	17320 (5071)	16230 (4752)	15160 (4439)						
	-35 (-37.2)	17580 (5147)	16540 (4843)	15520 (4544)	14520 (4251)	13540 (3965)	12590 (3686)						
	-40 (-40.0)	14670 (4295)	13730 (4020)	12810 (3751)	11910 (3487)	11030 (3230)	10170 (2978)						
TEB060L6 Compressor Model 4CC-6.2Y	0 (-17.8)	52670 (15422)	49980 (14634)	47330 (13858)	44720 (13094)	42160 (12344)	39640 (11607)						
	-5 (-20.6)	47380 (13873)	44940 (13158)	42550 (12459)	40190 (11768)	37880 (11091)	35610 (10427)						
	-10 (-23.3)	42350 (12400)	40150 (11756)	38000 (11126)	35890 (10509)	33810 (9900)	31780 (9305)						
	-15 (-26.1)	37600 (11009)	35620 (10430)	33690 (9864)	31800 (9311)	29940 (8766)	28130 (8236)						
	-20 (-28.9)	33110 (9695)	31350 (9179)	29620 (8673)	27930 (8178)	26280 (7695)	24660 (7220)						
	-25 (-31.7)	28910 (8465)	27330 (8002)	25790 (7551)	24280 (7109)	22820 (6682)	21380 (6260)						
	-30 (-34.4)	24980 (7314)	23570 (6901)	22190 (6497)	20850 (6105)	19550 (5724)	18280 (5352)						
	-35 (-37.2)	21320 (6242)	20060 (5874)	18820 (5510)	17630 (5162)	16470 (4822)	15340 (4492)						
	-40 (-40.0)	17920 (5247)	16790 (4916)	15680 (4591)	14610 (4278)	13570 (3973)	12550 (3675)						

CONDENSING UNIT MODEL	COMPRESSOR MODEL NO.	POWER SUPPLY	COMPRESSOR		CONDENSER FAN MOTOR		TOTAL AMPS	MCA	MOP	
			RLA	LRA	QTY	FLA				
TEA030H2	-HS3	ERF2-0310-CAB	230/1/60	17.0	86.0	1	2.1	19.1	23.4	40
	-HT3	ERF1-0310-TAC	208-230/3/60	11.7	82.0	1	1.1	12.8	15.7	25
	-HT4	ERF1-0310-TAD	460/3/60	6.4	41.0	1	0.9	7.3	8.9	15
TEA040H2	-HT3	NRB2-0400-TFC	208-230/3/60	21.8	141.0	1	2.1	22.9	28.4	50
	-HT4	NRB2-0400-TFD	460/3/60	11.3	62.5	1	0.9	12.2	15.0	25
TEA050H2	-HS3	2DC3-0500-CFB	230/1/60	29.9	125.0	1	2.1	32.0	39.5	60
	-HT3	2DC3-0500-TFC	208-230/3/60	22.3	120.0	1	2.1	24.4	30.0	50
	-HT4	2DC3-0500-TFD	460/3/60	10.4	60.0	1	1.1	11.5	14.1	20
	-HT5	2DC3-0500-TFE	575/3/60	7.7	49.0	1	0.9	8.6	10.5	15
TEA051H2	-HT3	2DD3-0500-TFC	208-230/3/60	22.3	120.0	1	2.1	24.4	30.0	50
	-HT4	2DD3-0500-TFD	460/3/60	10.5	60.0	1	1.1	11.6	14.2	20
	-HT5	2DD3-0500-TFE	575/3/60	7.9	49.0	1	0.9	8.8	10.8	15
TEA075H2	-HT3	2DL3-0750-TFC	208-230/3/60	31.6	169.0	1	2.1	33.7	41.6	70
	-HT4	2DL3-0750-TFD	460/3/60	13.8	85.0	1	1.1	14.9	18.4	30
	-HT5	2DL3-0750-TFE	575/3/60	13.2	67.0	1	0.9	14.1	17.4	30
TEA076H2	-HT3	2DA3-0750-TFC	208-230/3/60	32.0	169.0	1	2.1	34.1	42.1	70
	-HT4	2DA3-0750-TFD	460/3/60	14.1	85.0	1	1.1	15.2	18.7	30
	-HT5	2DA3-0750-TFE	575/3/60	13.3	67.0	1	0.9	14.2	17.5	30
TEA030M2	-HS3	3RA2-0310-CAB	230/1/60	17.8	86.0	1	2.1	19.9	24.4	40
	-HT3	3RA1-0310-TAC	208-230/3/60	13.1	82.0	1	2.1	15.2	18.5	30
	-HT4	3RA1-0310-TAD	460/3/60	6.6	41.0	1	1.1	7.7	9.4	15
TEA050M2	-HT3	NRM1-0500-TFC	208-230/3/60	24.3	141.0	1	2.1	26.4	32.5	50
	-HT4	NRM1-0500-TFD	460/3/60	12.1	62.5	1	1.1	13.2	16.2	25
	-HT5	NRM1-0500-TFE	575/3/60	9.2	53.4	1	0.9	10.1	12.4	20
TEA050H6	-HT3	2DC3-050E-TFC	208-230/3/60	22.3	120.0	1	2.1	24.4	30.0	50
	-HT4	2DC3-050E-TFD	460/3/60	10.4	60.0	1	1.1	11.5	14.1	20
	-HT5	2DC3-050E-TFE	575/3/60	7.7	49.0	1	0.9	8.6	10.5	15
TEA051H6	-HT3	2DD3-050E-TFC	208-230/3/60	22.3	120.0	1	2.1	24.4	30.0	50
	-HT4	2DD3-050E-TFD	460/3/60	10.5	60.0	1	1.1	11.6	14.2	20
	-HT5	2DD3-050E-TFE	575/3/60	7.9	49.0	1	0.9	8.8	10.8	15
TEA075H6	-HT3	2DL3-075E-TFC	208-230/3/60	31.6	169.0	1	2.1	33.7	41.6	70
	-HT4	2DL3-075E-TFD	460/3/60	13.8	85.0	1	1.1	14.9	18.4	30
	-HT5	2DL3-075E-TFE	575/3/60	13.2	67.0	1	0.9	14.1	17.4	30
TEA076H6	-HT3	2DA3-075E-TFC	208-230/3/60	32.0	169.0	1	2.1	34.1	42.1	70
	-HT4	2DA3-075E-TFD	460/3/60	14.1	85.0	1	1.1	15.2	18.7	30
	-HT5	2DA3-075E-TFE	575/3/60	13.3	67.0	1	0.9	14.2	17.5	30

Exact compressor model may vary with voltages

MCA = Minimum Circuit Ampacity

MOP = Maximum Overcurrent Protection

CONDENSING UNIT MODEL	COMPRESSOR MODEL NO.	POWER SUPPLY	COMPRESSOR		CONDENSER FAN MOTOR		TOTAL AMPS	MCA	MOP	
			RLA	LRA	QTY	FLA				
TEA030M6	-HS3	ERFB-031E-CAB	230/1/60	17.0	86.0	1	2.1	19.1	23.4	40
	-HT3	ERFA-031E-TAC	208-230/3/60	12.4	82.0	1	2.1	14.5	17.6	30
	-HT4	ERFA-031E-TAD	460/3/60	5.8	41.0	1	1.1	6.9	8.4	15
TEA035M6	-HT3	3RAA-031E-TAC	208-230/3/60	14.2	82.0	1	2.1	16.3	19.9	30
	-HT4	3RAA-031E-TAD	460/3/60	6.3	41.0	1	1.1	7.4	9.0	15
TEA040M6	-HT3	NRB2-040E-TFC	208-230/3/60	21.8	141.0	1	2.1	23.9	29.4	50
	-HT4	NRB2-040E-TFD	460/3/60	9.0	62.5	1	1.1	10.1	12.4	20
TEA030L6	-HS3	LAHB-032E-CAB	230/1/60	16.7	105.0	1	2.1	18.8	23.0	35
	-HT3	LAHA-032E-TAC	208-230/3/60	12.8	112.0	1	2.1	14.9	18.1	30
	-HT4	LAHA-032E-TAD	460/3/60	6.0	56.0	1	1.1	7.1	8.6	15
	-HT5	LAHA-032E-TAE	575/3/60	4.1	30.0	1	0.9	5.0	6.0	15
TEA031L6	-HS3	NRD1-040E-CFB	230/1/60	27.7	115.0	1	2.1	29.8	36.7	60
	-HT3	NRD1-032E-TFC	208-230/3/60	16.3	82.0	1	2.1	18.4	22.5	35
	-HT4	NRD1-032E-TFD	460/3/60	8.4	41.0	1	1.1	9.5	11.6	20
TEA032L6	-HS3	LACB-032E-CAB	230/1/60	15.5	105.0	1	2.1	17.6	21.5	35
	-HT3	LACA-032E-TAC	208-230/3/60	12.8	112.0	1	2.1	14.9	18.1	30
	-HT4	LACA-032E-TAD	460/3/60	6.0	56.0	1	1.1	7.1	8.6	15
TEA035L6	-HT3	2DF3-030E-TFC	208-230/3/60	16.8	102.0	1	2.1	18.9	23.1	35
	-HT4	2DF3-030E-TFD	460/3/60	8.1	52.0	1	1.1	9.2	11.2	15
	-HT5	2DF3-030E-TFE	575/3/60	6.7	41.0	1	0.9	7.6	9.3	15
TEA040L6	-HT3	2DL3-040E-TFC	208-230/3/60	26.3	161.0	1	2.1	28.4	35.0	60
	-HT4	2DL3-040E-TFD	460/3/60	10.2	60.0	1	1.1	11.3	13.9	20
	-HT5	2DL3-040E-TFE	575/3/60	7.7	49.0	1	0.9	8.6	10.5	15
TEA060L6	-HT3	2DB3-060E-TFC	208-230/3/60	28.2	161.0	1	2.1	30.3	37.4	60
	-HT4	2DB3-060E-TFD	460/3/60	13.3	80.0	1	1.1	14.4	17.7	30
	-HT5	2DB3-060E-TFE	575/3/60	9.6	63.0	1	0.9	10.5	12.9	20
TEA061L6	-HT3	3DA3A060E-TFC	208-230/3/60	30.3	150.0	1	2.1	32.4	40.0	70
	-HT4	3DA3A060E-TFD	460/3/60	13.7	77.0	1	1.1	14.8	18.2	30
	-HT5	3DA3A060E-TFE	575/3/60	10.5	62.0	1	0.9	11.4	14.0	20
TEA075L6	-HT3	3DB3A075E-TFC	208-230/3/60	31.5	161.0	1	2.1	33.6	41.5	70
	-HT4	3DB3A075E-TFD	460/3/60	16.1	83.0	1	1.1	17.2	21.2	35
	-HT5	3DB3A075E-TFE	575/3/60	11.0	67.0	1	0.9	11.9	14.7	25

Exact compressor model may vary with voltages
MCA = Minimum Circuit Ampacity
MOP = Maximum Overcurrent Protection

CONDENSING UNIT MODEL	COMPRESSOR MODEL NO.	POWER SUPPLY	COMPRESSOR		CONDENSER FAN MOTOR		TOTAL AMPS	MCA	MOP
			RLA	LRA	QTY	FLA			
TEB029H2	2FC-3.2	208-230/3/60	11.5	60.0	1	2.1	13.6	16.5	25
		460/3/60	5.5	27.5	1	1.1	6.6	8.0	15
		575/3/60	4.5	19.0	1	0.9	5.4	6.5	15
TEB030H2	2EC-3.2	208-230/1/60	24.0	109.0	1	2.1	26.1	32.1	50
		208-230/3/60	14.2	97.0	1	2.1	16.3	19.9	30
		460/3/60	6.7	39.5	1	1.1	7.8	9.5	15
		575/3/60	5.4	28.5	1	0.9	6.3	7.7	15
TEB035H2	2DC-3.2	208-230/1/60	25.0	113.0	1	2.1	27.1	33.4	50
		208-230/3/60	15.5	97.0	1	2.1	17.6	21.5	35
		460/3/60	7.5	39.5	1	1.1	8.6	10.5	15
		575/3/60	5.2	28.5	1	0.9	6.1	7.4	15
TEB040H2	2CC-4.2	208-230/3/60	18.5	115.5	1	2.1	20.6	25.2	40
		460/3/60	8.3	47.5	1	1.1	9.4	11.5	20
		575/3/60	6.7	34.0	1	0.9	7.6	9.3	15
TEB050H2	4FC-5.2	208-230/3/60	24.5	163.0	1	2.1	26.6	32.7	50
		460/3/60	13.5	66.5	1	1.1	14.6	18.0	30
		575/3/60	9.0	48.0	1	0.9	9.9	12.2	20
TEB060H2	4EC-6.2	208-230/3/60	28.5	163.0	1	2.1	30.6	37.7	60
		460/3/60	13.8	66.5	1	1.1	14.9	18.4	30
		575/3/60	9.6	48.0	1	0.9	10.5	12.9	20
TEB075H2	4DC-7.2	208-230/3/60	31.5	215.0	1	2.1	33.6	41.5	70
		460/3/60	15.5	88.0	1	1.1	16.6	20.5	35
		575/3/60	11.3	63.5	1	0.9	12.2	15.0	25
TEB029H6	2FC-3.2Y	208-230/3/60	11.5	60.0	1	2.1	13.6	16.5	25
		460/3/60	5.5	27.5	1	1.1	6.6	8.0	15
		575/3/60	4.5	19.0	1	0.9	5.4	6.5	15
TEB030H6	2EC-3.2Y	208-230/1/60	24.0	109.0	1	2.1	26.1	32.1	50
		208-230/3/60	14.2	97.0	1	2.1	16.3	19.9	30
		460/3/60	6.7	39.5	1	1.1	7.8	9.5	15
		575/3/60	5.4	28.5	1	0.9	6.3	7.7	15
TEB035H6	2DC-3.2Y	208-230/1/60	25.0	113.0	1	2.1	27.1	33.4	50
		208-230/3/60	15.5	97.0	1	2.1	17.6	21.5	35
		460/3/60	7.5	39.5	1	1.1	8.6	10.5	15
		575/3/60	5.2	28.5	1	0.9	6.1	7.4	15
TEB040H6	2CC-4.2Y	208-230/3/60	18.5	115.5	1	2.1	20.6	25.2	40
		460/3/60	8.3	47.5	1	1.1	9.4	11.5	20
		575/3/60	6.7	34.0	1	0.9	7.6	9.3	15
TEB050H6	4FC-5.2Y	208-230/3/60	24.5	163.0	1	2.1	26.6	32.7	50
		460/3/60	13.5	66.5	1	1.1	14.6	18.0	30
		575/3/60	9.0	48.0	1	0.9	9.9	12.2	20
TEB060H6	4EC-6.2Y	208-230/3/60	28.5	163.0	1	2.1	30.6	37.7	60
		460/3/60	13.8	66.5	1	1.1	14.9	18.4	30
		575/3/60	9.6	48.0	1	0.9	10.5	12.9	20
TEB075H6	4DC-7.2Y	208-230/3/60	31.5	215.0	1	2.1	33.6	41.5	70
		460/3/60	15.5	88.0	1	1.1	16.6	20.5	35
		575/3/60	11.3	63.5	1	0.9	12.2	15.0	25

MCA = Minimum Circuit Ampacity

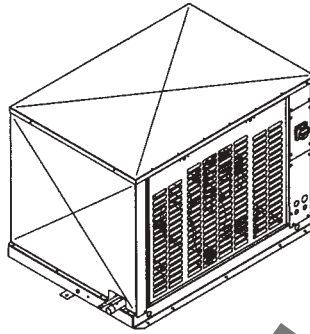
MOP = Maximum Overcurrent Protection

CONDENSING UNIT MODEL	COMPRESSOR MODEL NO.	POWER SUPPLY	COMPRESSOR		CONDENSER FAN MOTOR		TOTAL AMPS	MCA	MOP
			RLA	LRA	QTY	FLA			
TEB030L6	2CC-3.2Y	208-230/1/60	22.0	115.0	1	2.1	24.1	29.6	50
		208-230/3/60	13.8	97.0	1	2.1	15.9	19.4	30
		460/3/60	6.5	39.5	1	1.1	7.6	9.2	15
		575/3/60	5.2	28.5	1	0.9	6.1	7.4	15
TEB031L6	4FC-3.2Y	208-230/3/60	18.5	115.5	1	2.1	20.6	25.2	40
		460/3/60	8.2	47.5	1	1.1	9.3	11.4	20
		575/3/60	6.3	34.0	1	0.9	7.2	8.8	15
TEB039L6	4EC-4.2Y	208-230/3/60	20.5	142.0	1	2.1	22.6	27.7	45
		460/3/60	9.5	58.0	1	1.1	10.6	13.0	20
		575/3/60	7.6	51.5	1	0.9	8.5	10.4	15
TEB050L6	4DC-5.2Y	208-230/3/60	21.0	163.0	1	2.1	23.1	28.4	45
		460/3/60	11.0	66.5	1	1.1	12.1	14.9	25
		575/3/60	9.2	48.0	1	0.9	10.1	12.4	20
TEB060L6	4CC-6.2Y	208-230/3/60	25.5	215.0	1	2.1	27.6	34.0	50
		460/3/60	14.5	88.0	1	1.1	15.6	19.2	30
		575/3/60	11.5	63.5	1	0.9	12.4	15.3	25

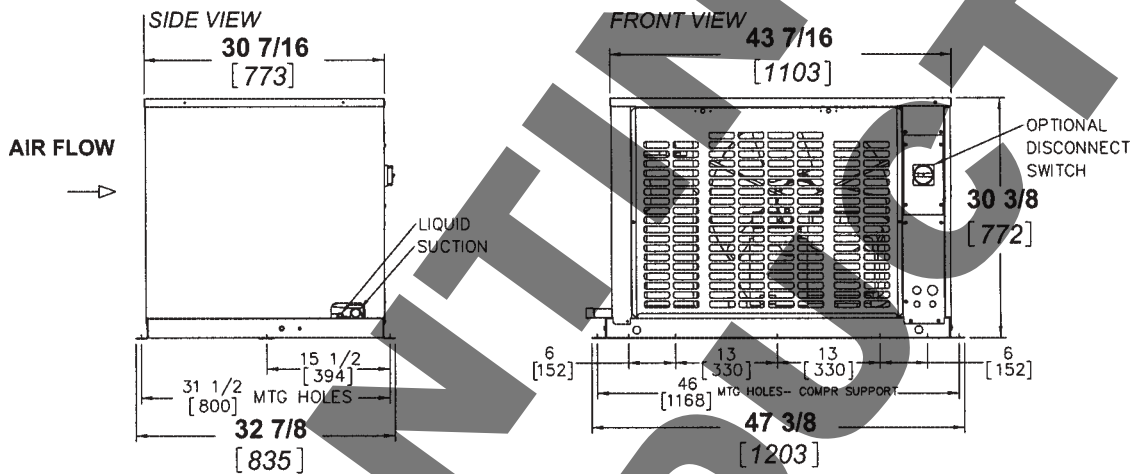
MCA = Minimum Circuit Ampacity
MOP = Maximum Overcurrent Protection

DISCONTINUED PRODUCT

DIMENSIONS - STANDARD UNIT

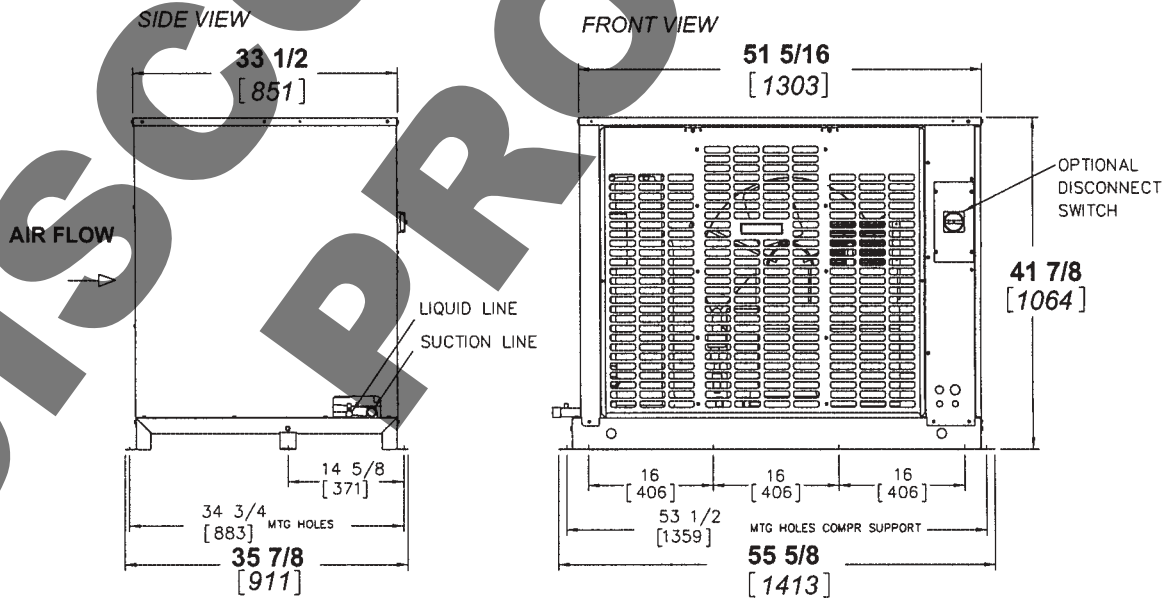


TE*029 TO TE*040



OVERALL DIMENSIONS - (Inches) : 47-3/8 x 32-7/8 x 30-3/8 (mm) : 1203 x 834 x 772

TE*050 TO TE*075

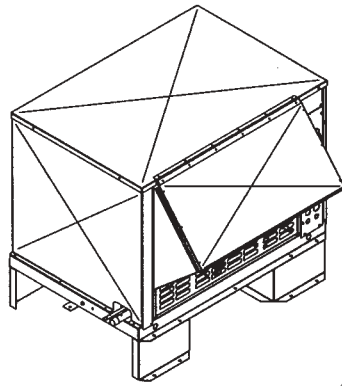


OVERALL DIMENSIONS - (Inches) : 55-5/8 x 35-7/8 x 41-7/8 (mm) : 1413 x 911 x 1064

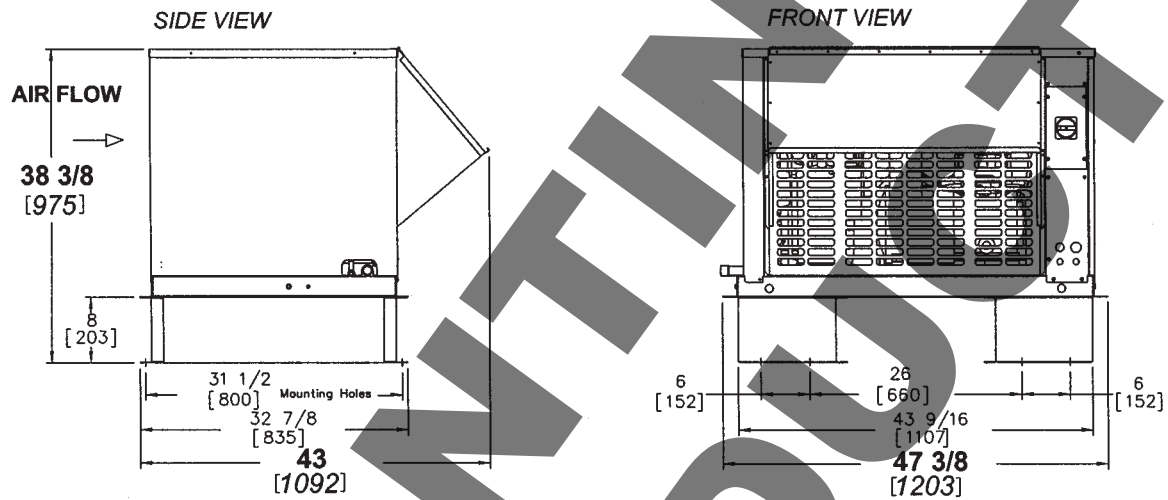
NOTE: All Mounting Holes $\frac{7}{16}$ " (11.1mm) Dia.

* Fill in appropriate alphabet; A for Copeland and B for Bitzer Octagan

DIMENSIONS - UNIT WITH OPTIONAL LEGS AND HOOD

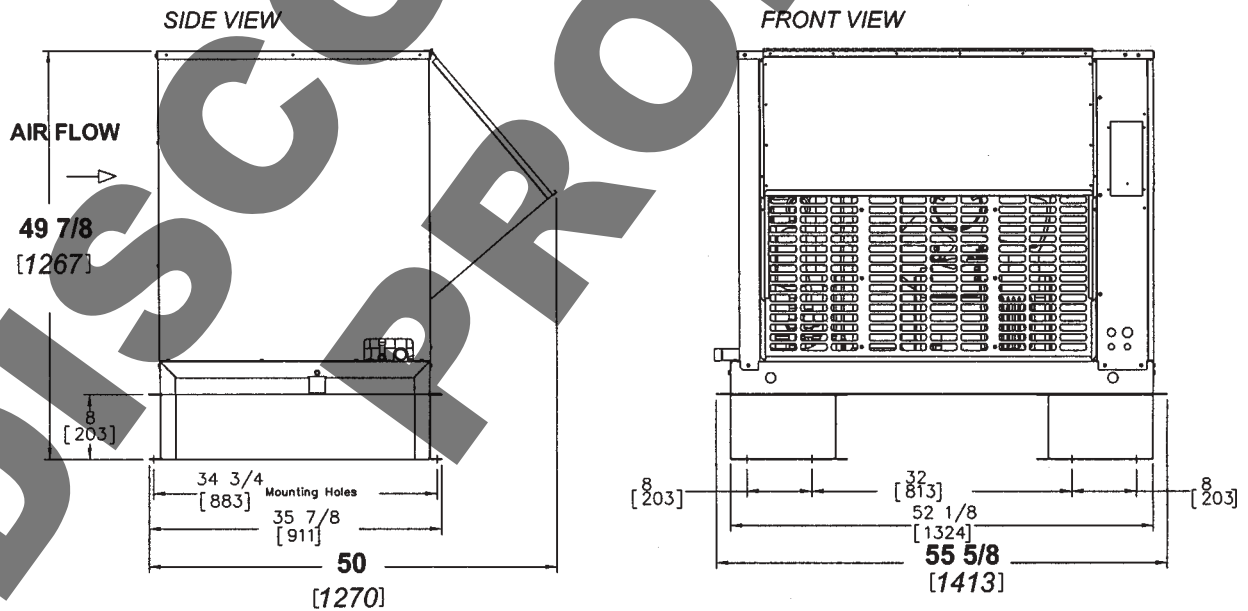


TE*029 TO TE*040



OVERALL DIMENSIONS - (Inches) : 47-3/8 x 43 x 38-3/8 (mm) : 1203 x 1092 x 975

TE*050 TO TE*075



OVERALL DIMENSIONS - (Inches) : 55-5/8 x 50 x 49-7/8 (mm) : 1413 x 1270 x 1267

NOTE: All Mounting Holes 7/16" (11.1mm) Dia.

* Fill in appropriate alphabet; A for Copeland and B for Bitzer Octagan

SPECIFICATIONS

CONDENSING UNIT MODEL	COMPRESSOR*	UNIT CONNECTIONS				RECEIVER CAPACITY 90% FULL		SHIPPING WEIGHT	
		SUCTION (OD)		LIQUID (OD)		Lbs.	Kgs	Lbs.	Kgs
		Inches	mm	Inches	mm				
TEA030H2	ERF1-0310	1 1/8	29	1/2	13	25	11	477	217
TEA040H2	NRB2-0400	1 1/8	29	1/2	13	25	11	542	246
TEA050H2	2DC3-0500	1 3/8	35	5/8	16	35	16	766	348
TEA051H2	2DD3-0500	1 3/8	35	5/8	16	35	16	769	350
TEA075H2	2DL3-0750	1 3/8	35	5/8	16	35	16	780	355
TEA076H2	2DA3-0750	1 3/8	35	5/8	16	35	16	780	355
TEA030M2	3RA1-0310	1 1/8	29	1/2	13	25	11	486	221
TEA050M2	NRM1-0500	1 1/8	29	1/2	13	35	16	738	335
TEA050H6	2DC3-050E	1 1/8	29	5/8	16	31	14	766	348
TEA051H6	2DD3-050E	1 1/8	29	5/8	16	31	14	769	350
TEA075H6	2DL3-075E	1 3/8	35	5/8	16	31	14	780	355
TEA076H6	2DA3-075E	1 3/8	35	5/8	16	31	14	780	355
TEA030M6	ERFA-031E	7/8	22	1/2	13	22	10	477	217
TEA035M6	3RAA-031E	1 1/8	29	5/8	16	22	10	487	221
TEA040M6	NRB2-040E	1 1/8	29	5/8	16	22	10	542	246
TEA030L6	LAHA-032E	1 1/8	29	1/2	13	22	10	493	224
TEA031L6	NRD1-032E	1 1/8	29	1/2	13	22	10	562	255
TEA032L6	LACA-032E	1 1/8	29	1/2	13	22	10	491	223
TEA035L6	2DF3-030E	1 1/8	29	1/2	13	22	10	588	267
TEA040L6	2DL3-040E	1 1/8	29	1/2	13	22	10	618	281
TEA060L6	2DB3-060E	1 3/8	35	5/8	16	31	14	781	355
TEA061L6	3DA3A060E	1 3/8	35	5/8	16	31	14	819	372
TEA075L6	3DB3A075E	1 3/8	35	5/8	16	31	14	827	376

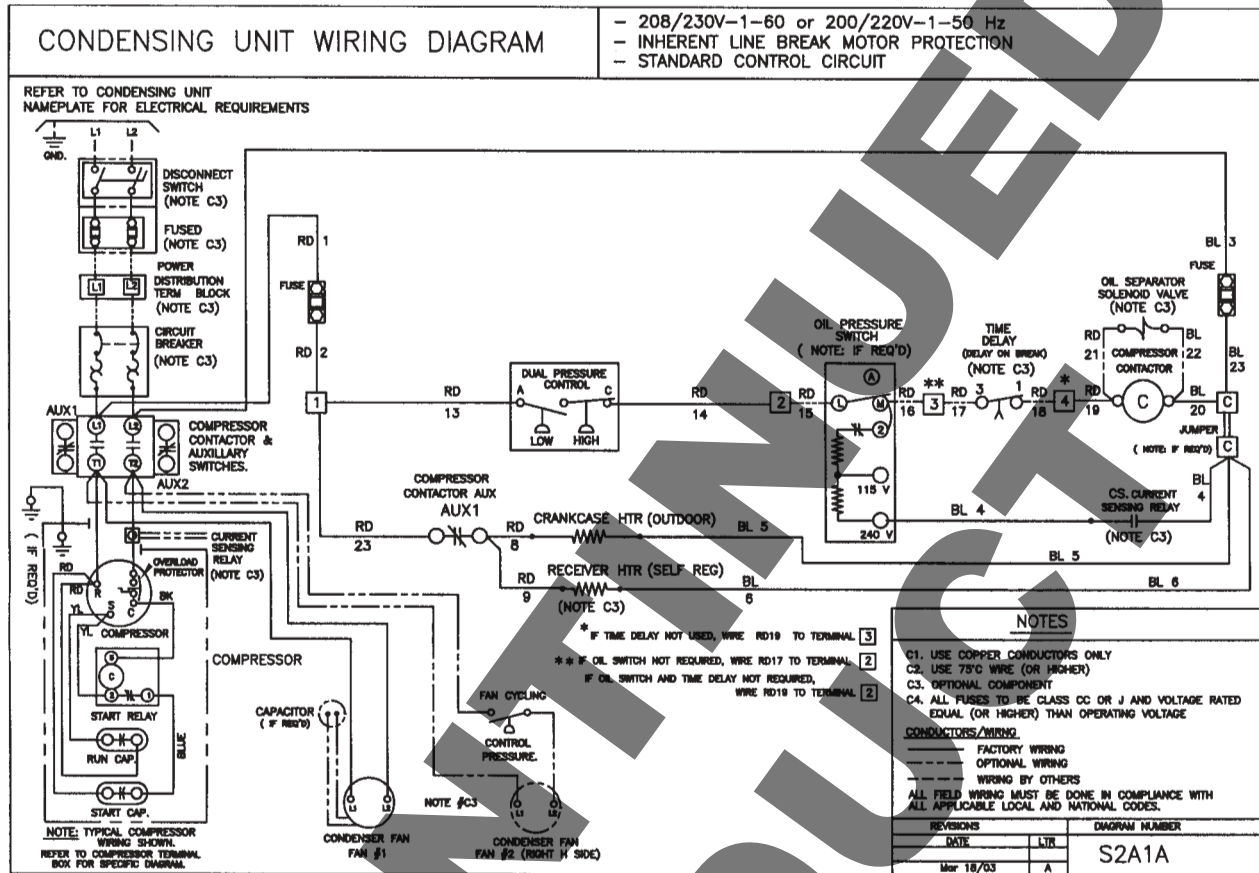
* Exact model may vary with voltages

SPECIFICATIONS

CONDENSING UNIT MODEL	COMPRESSOR*	UNIT CONNECTIONS				RECEIVER CAPACITY 90% FULL		SHIPPING WEIGHT	
		SUCTION (OD)		LIQUID (OD)		Lbs.	Kgs	Lbs.	Kgs
		Inches	mm	Inches	mm				
TEB029H2	2FC-3.2	1 1/8	29	1/2	13	25	11	386	175
TEB030H2	2EC-3.2	1 1/8	29	1/2	13	25	11	437	199
TEB035H2	2DC-3.2	1 1/8	29	1/2	13	25	11	449	204
TEB040H2	2CC-4.2	1 1/8	29	1/2	13	25	11	452	205
TEB050H2	4FC-5.2	1 3/8	35	5/8	16	35	16	648	295
TEB060H2	4EC-6.2	1 3/8	35	5/8	16	35	16	652	296
TEB075H2	4DC-7.2	1 3/8	35	5/8	16	35	16	655	298
TEB029H6	2FC-3.2Y	1 1/8	29	5/8	16	22	10	386	175
TEB030H6	2EC-3.2Y	1 1/8	29	5/8	16	22	10	437	199
TEB035H6	2DC-3.2Y	1 1/8	29	5/8	16	22	10	449	204
TEB040H6	2CC-4.2Y	1 1/8	29	5/8	16	22	10	452	205
TEB050H6	4FC-5.2Y	1 1/8	29	5/8	16	31	14	648	295
TEB060H6	4EC-6.2Y	1 3/8	35	5/8	16	31	14	652	296
TEB075H6	4DC-7.2Y	1 3/8	35	5/8	16	31	14	655	298
TEB030L6	2CC-3.2Y	1 1/8	29	1/2	13	22	10	436	198
TEB031L6	4FC-3.2Y	1 1/8	29	1/2	13	22	10	463	210
TEB039L6	4EC-4.2Y	1 1/8	29	1/2	13	22	10	479	218
TEB050L6	4DC-5.2Y	1 3/8	35	5/8	16	31	14	647	294
TEB060L6	4CC-6.2Y	1 3/8	35	5/8	16	31	14	658	299

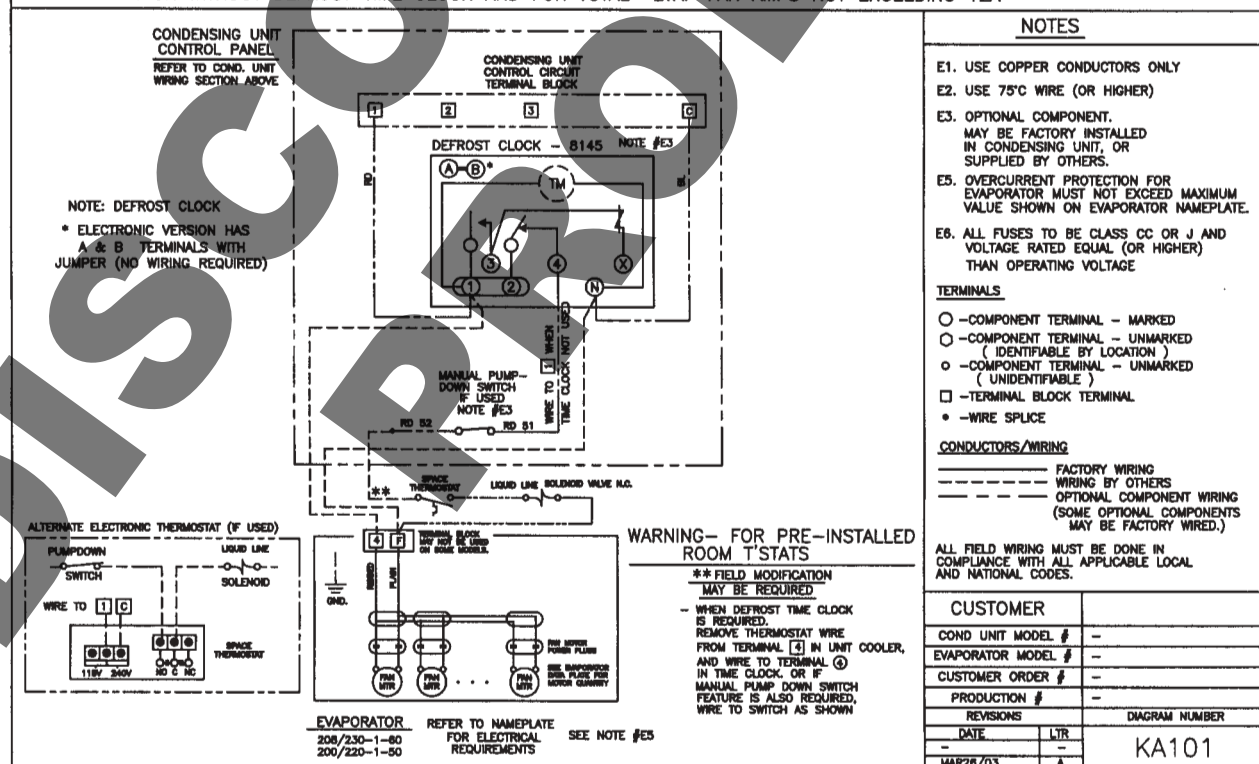
TYPICAL SYSTEM WIRING DIAGRAM

208-230/1/60



TYPICAL EVAPORATOR WIRING: FOR SINGLE AIR DEFROST EVAPORATOR— SINGLE POINT

FOR USE WITH: 208/230-1-60, 200/220-1-50 OR 208/230-3-60, 200/220-3-50 CONDENSING UNITS
 WITH OR WITHOUT DEFROST TIME CLOCK AND FOR TOTAL EVAP FAN AMPS NOT EXCEEDING 12A



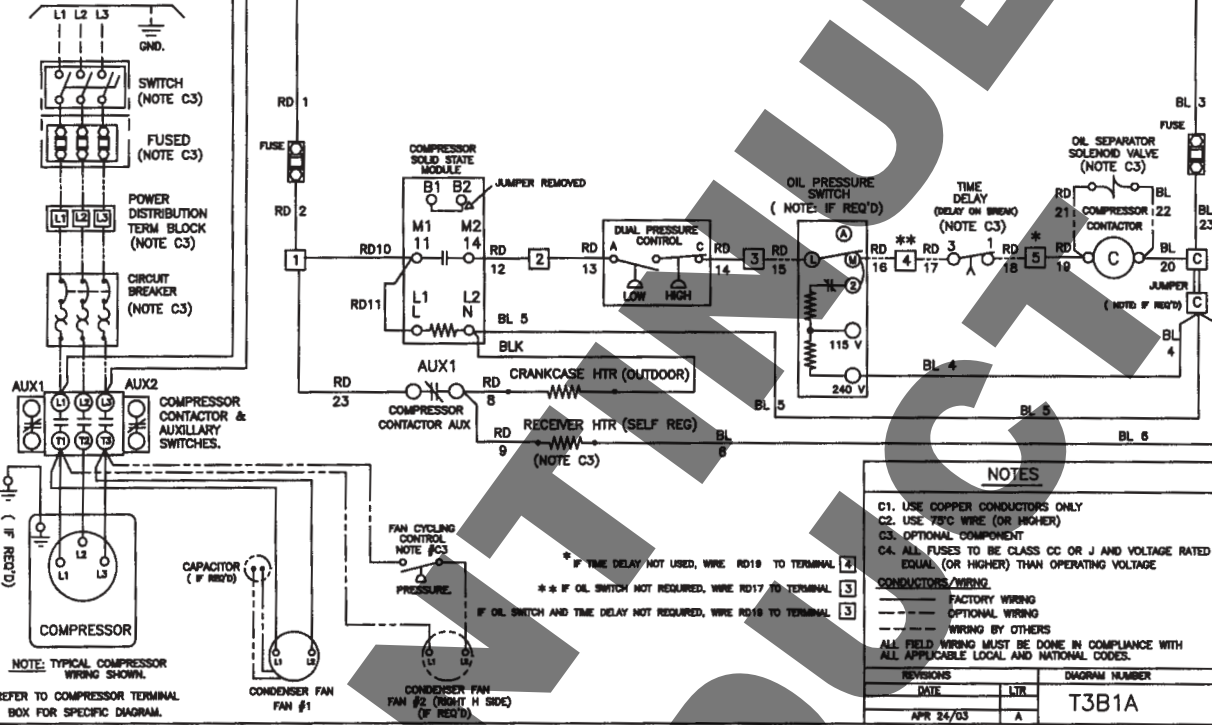
TYPICAL SYSTEM WIRING DIAGRAM

208-230/3/60

CONDENSING UNIT WIRING DIAGRAM

- 208/230V-3-60 or 200/220V-3-50 Hz
- SOLID STATE MODULE MOTOR PROTECTION
- STANDARD CONTROL CIRCUIT

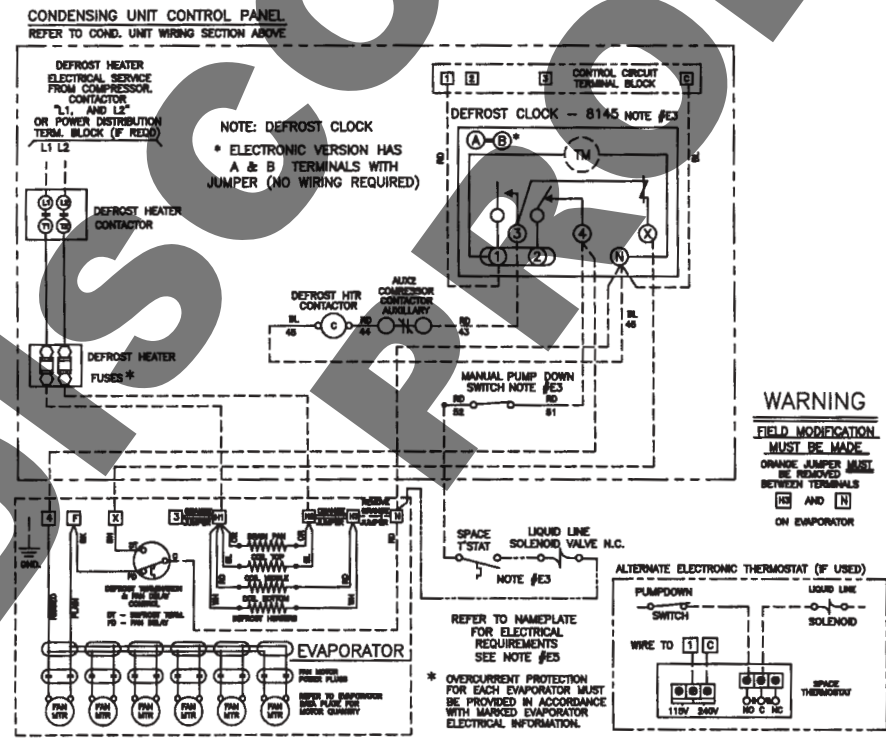
REFER TO CONDENSING UNIT NAMEPLATE FOR ELECTRICAL REQUIREMENTS.



- NOTES**
- C1. USE COPPER CONDUCTORS ONLY
 - C2. USE 75°C WIRE (OR HIGHER)
 - C3. OPTIONAL COMPONENT
 - C4. ALL FUSES TO BE CLASS CC OR J AND VOLTAGE RATED EQUAL (OR HIGHER) THAN OPERATING VOLTAGE
- CONDUCTORS/WIRING**
- FACTORY WIRING
 - OPTIONAL WIRING
 - WIRING BY OTHERS
- ALL FIELD WIRING MUST BE DONE IN COMPLIANCE WITH ALL APPLICABLE LOCAL AND NATIONAL CODES.
- | REVISIONS | DATE | LTR | DIAGRAM NUMBER |
|-----------|-----------|-----|----------------|
| | APR 24/03 | A | T3B1A |

TYPICAL EVAPORATOR WIRING: FOR SINGLE LOW PROFILE ELECT DEFROST EVAPORATOR- SINGLE POINT

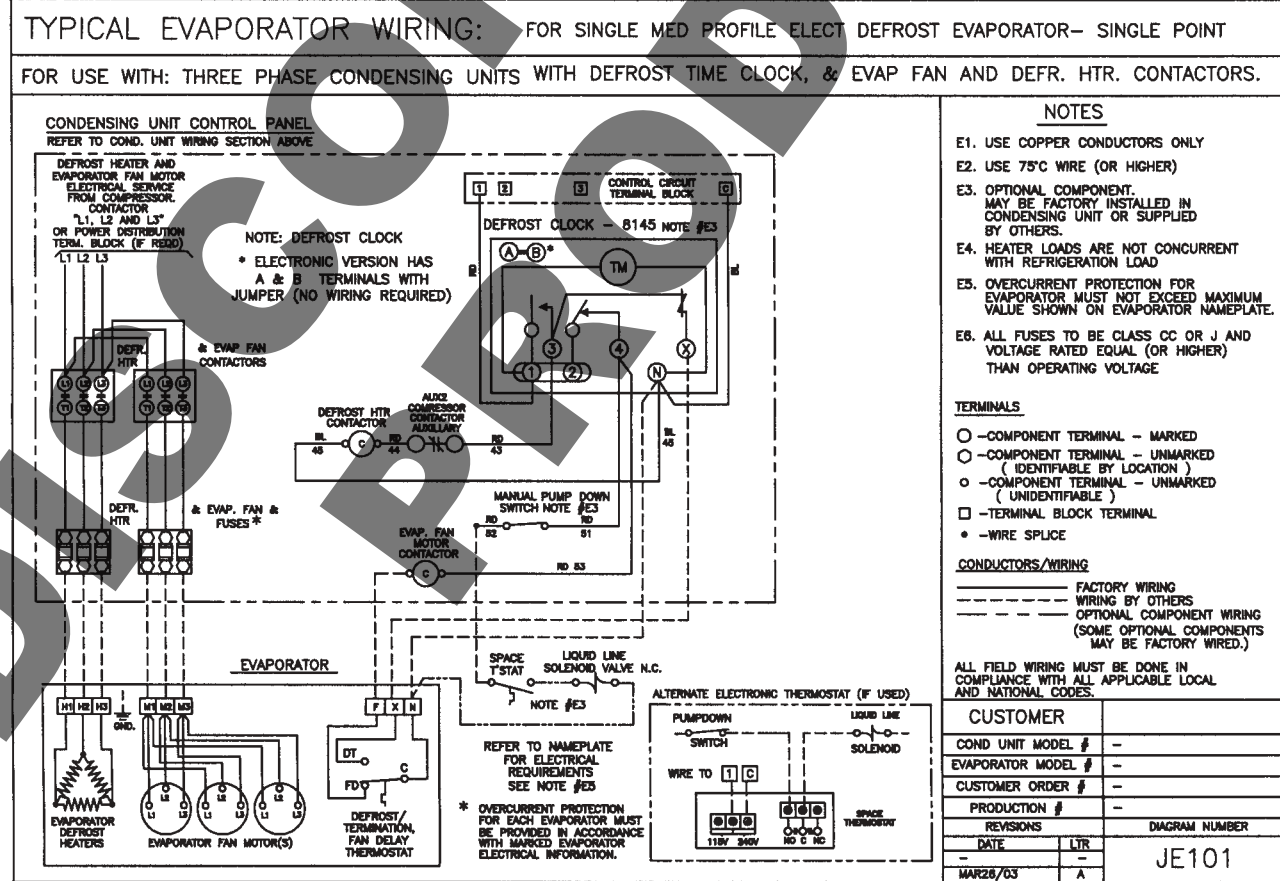
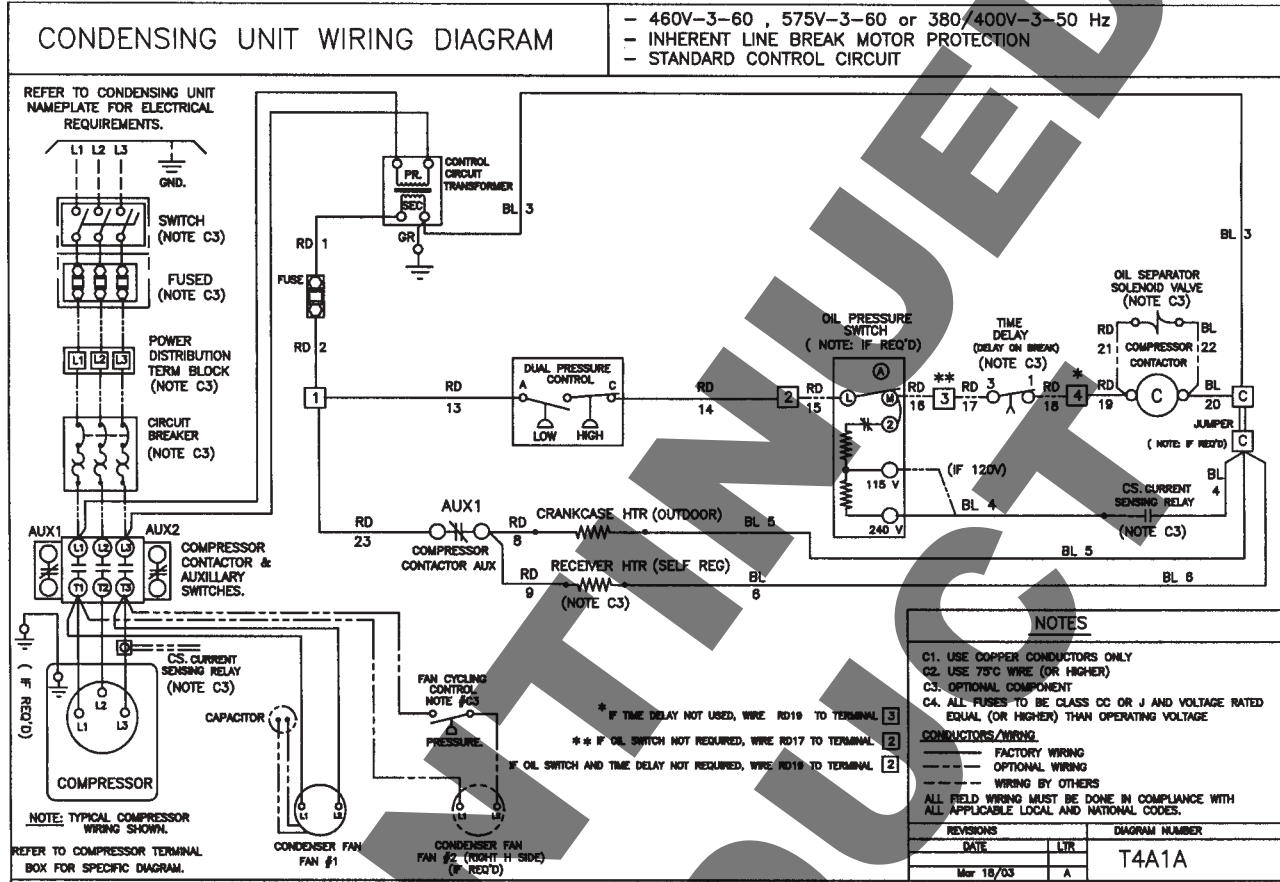
FOR USE WITH: 230v SINGLE OR THREE PHASE CONDENSING UNITS WITH DEFROST TIME CLOCK, AND DEFR. HTR. CONTACTOR.



- NOTES**
- E1. USE COPPER CONDUCTORS ONLY
 - E2. USE 75°C WIRE (OR HIGHER)
 - E3. OPTIONAL COMPONENT. MAY BE FACTORY INSTALLED IN CONDENSING UNIT OR SUPPLIED BY OTHERS.
 - E4. HEATER LOADS ARE NOT CONCURRENT WITH REFRIGERATION LOAD
 - E5. OVERCURRENT PROTECTION FOR EVAPORATOR MUST NOT EXCEED MAXIMUM VALUE SHOWN ON EVAPORATOR NAMEPLATE.
 - E6. ALL FUSES TO BE CLASS CC OR J AND VOLTAGE RATED EQUAL (OR HIGHER) THAN OPERATING VOLTAGE
- TERMINALS**
- - COMPONENT TERMINAL - MARKED
 - - COMPONENT TERMINAL - UNMARKED (IDENTIFIABLE BY LOCATION)
 - - COMPONENT TERMINAL - UNMARKED (UNIDENTIFIABLE)
 - - TERMINAL BLOCK TERMINAL
 - - WIRE SPLICE
- CONDUCTORS/WIRING**
- FACTORY WIRING
 - WIRING BY OTHERS
 - OPTIONAL COMPONENT WIRING (SOME OPTIONAL COMPONENTS MAY BE FACTORY WIRED.)
- ALL FIELD WIRING MUST BE DONE IN COMPLIANCE WITH ALL APPLICABLE LOCAL AND NATIONAL CODES.
- | CUSTOMER | |
|--------------------|----------------|
| COND UNIT MODEL # | - |
| EVAPORATOR MODEL # | - |
| CUSTOMER ORDER # | - |
| PRODUCTION # | - |
| REVISIONS | DIAGRAM NUMBER |
| DATE | LTR |
| MAR 31/03 | A |

TYPICAL SYSTEM WIRING DIAGRAM

460/3/60, 575/3/60



**DISCONTINUED
PRODUCT**



NATIONAL REFRIGERATION & AIR CONDITIONING CANADA CORP.

159 Roy Blvd. • Brantford • Ontario, Canada N3T 5Y6

PHONE: (519) 751-0444 • 800-463-9517 • FAX (519) 753-1140



Due to National Refrigeration's policy of continuous product improvement, we reserve the right to make changes without notice.