



**60**  
Hz

# TEH-LINE CONDENSING UNITS

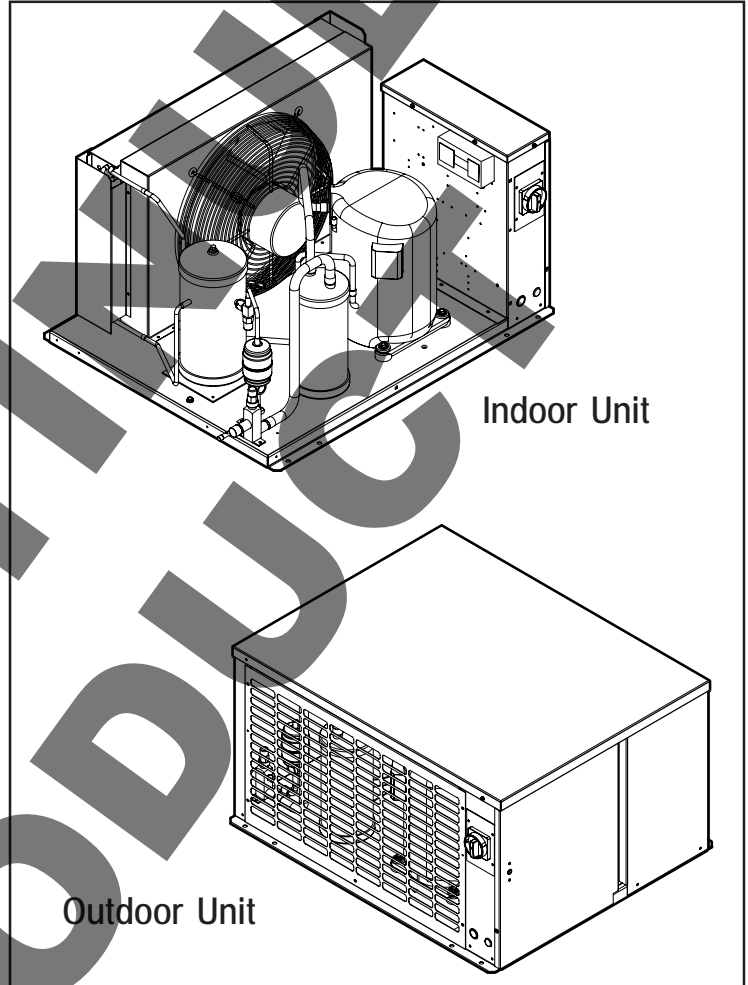
## PRODUCT DATA & SPECIFICATIONS

INDOOR /OUTDOOR  
AIR COOLED HERMETIC  
CONDENSING UNITS

1/2 TO 7.5 HP  
HIGH, MEDIUM AND LOW  
TEMPERATURE REFRIGERATION

Bulletin T40-TEH-PDS-60-2

1079234



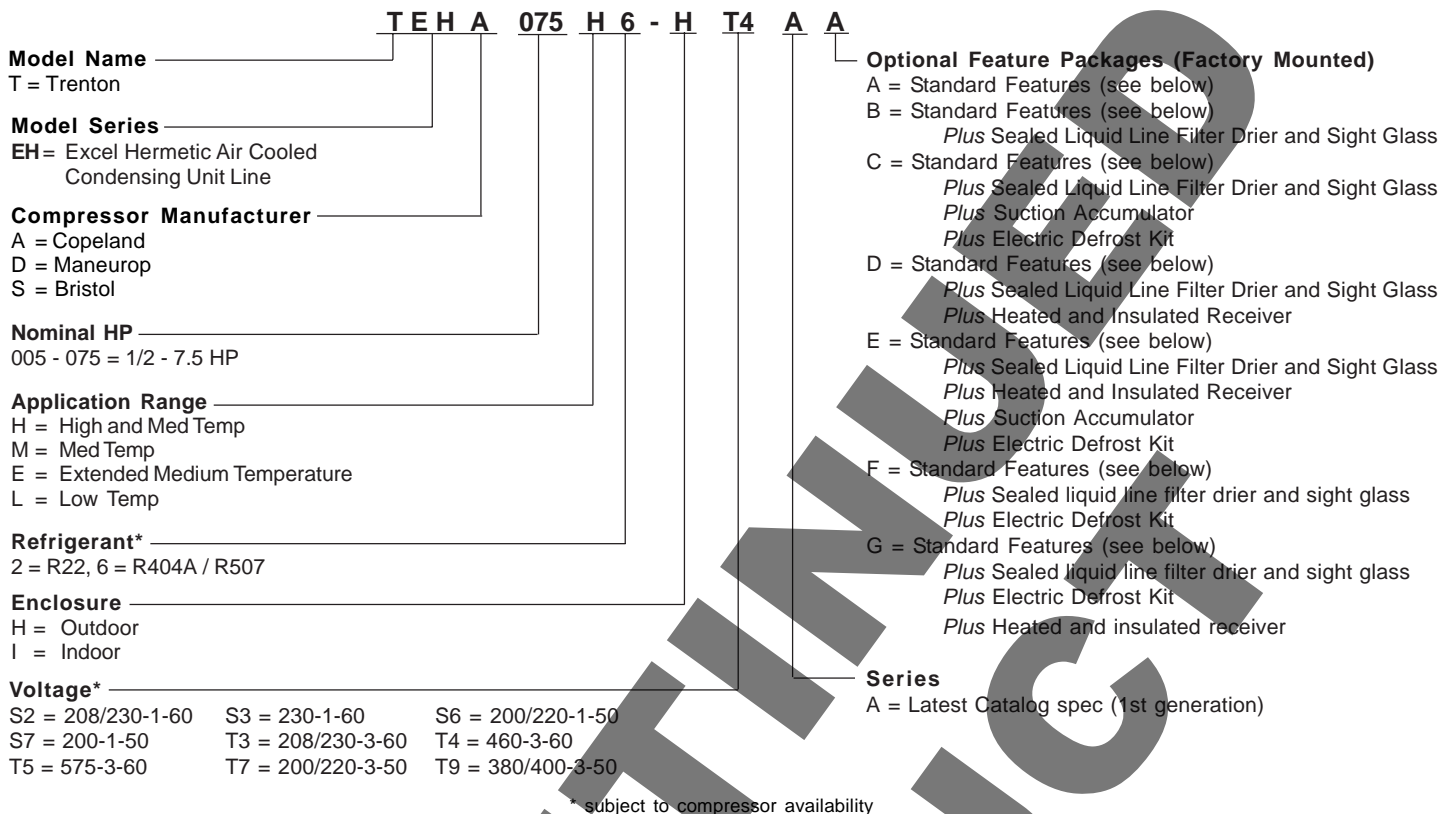
Indoor Unit

Outdoor Unit

### CONTENTS

	Page
Nomenclature.....	2
Features.....	2
Capacity Data (Imperial and <i>Metric</i> ).....	3-15
Electrical Data.....	16-19
Dimensional Data.....	20, 21
Specifications.....	22
Wiring Diagrams.....	23-25

# NOMENCLATURE



## STANDARD FEATURES

### Indoor Unit:

- Weatherproof electrical control box with compressor contactor and fused control circuit
- Welded-hermetic compressor
- High efficiency enhanced tube and fin condenser design
- Pre-formed piping
- Quiet fan motor operation
- Energy efficient PSC condenser fan motor
- Electrical control panel away from air flow stream
- Wide-open front design, spring latches and handle on 3Hp MT & HT or larger
- Each Unit is subjected to a thorough leak test with Helium leak-detectors is run tested

- Units are shipped with Helium holding charge
- Receiver with fusible plug and liquid shut off valve
- Adjustable dual high / low pressure control
- Suction service valve
- Copper tubing secured with cushion clamps

### Outdoor Unit: All Standard Features of Indoor Unit, Plus:

- Outdoor weather-resistant housing with removable hood
- Flooded head pressure control (non adjustable)
- Crankcase heater

## OPTIONAL FEATURES

- Sealed suction filter
- Suction accumulator
- Suction accumulator with boil-out coil
- Heated and insulated receiver
- Sealed liquid line filter drier and sight glass
- Liquid line solenoid valve with 230-volt coil (shipped loose)
- Compressor circuit breaker
- Compressor time delay relay

- Pump down toggle switch
- Electric defrost kit with electronic or mechanical time clock and contactors, as required
- Hoffman variable fan speed control
- Lockout control circuit (for liquid solenoid valve)
- Disconnect switch (fused or non-fused)
- 3 Lead electronic phase / voltage monitor
- Leg kit or air discharge hood

CONDENSING UNIT MODEL	SATURATED SUCTION TEMPERATURE		AMBIENT TEMPERATURE ° F (° C)													
			° F		° C		° F		° C		° F		° C			
			80	(26.6)	85	(29.4)	90	(32.2)	95	(35)	100	(37.8)	105	(40.6)	110	(43.3)
TEHA005H2 Compressor Model ART82C1	45	(7.2)	10400	(3048)	10000	(2931)	9630	(2822)	9260	(2714)	8890	(2606)	8540	(2503)	8180	(2397)
	40	(4.4)	9310	(2729)	8980	(2632)	8630	(2529)	8300	(2433)	7960	(2333)	7620	(2233)	7300	(2140)
	35	(1.7)	8360	(2450)	8050	(2359)	7750	(2271)	7430	(2178)	7120	(2087)	6810	(1996)	6510	(1908)
	30	(-1.1)	7510	(2201)	7230	(2119)	6950	(2037)	6660	(1952)	6370	(1867)	6090	(1785)	5810	(1703)
	25	(-3.9)	6740	(1975)	6490	(1902)	6240	(1829)	5970	(1750)	5710	(1674)	5450	(1597)	5190	(1521)
	20	(-6.7)	6050	(1773)	5830	(1709)	5600	(1641)	5360	(1571)	5110	(1498)	4870	(1427)	4630	(1357)
	15	(-9.4)	5430	(1591)	5230	(1533)	5020	(1471)	4800	(1407)	4570	(1339)	4350	(1275)	4130	(1210)
	10	(-12.2)	4850†	(1421)†	4670†	(1369)†	4480†	(1313)†	4280†	(1254)†	4070†	(1193)†	3870†	(1134)†	3660†	(1073)†
	5	(-15.0)	4320†	(1266)†	4160†	(1219)†	3980†	(1166)†	3800†	(1114)†	3610†	(1058)†	3420†	(1002)†	---	---
	0	(-17.8)	3800†	(1114)†	3660†	(1073)†	3510†	(1029)†	3340†	(979)†	3160†	(926)†	---	---	---	---
TEHA008H2 Compressor Model RS64C2	45	(7.2)	13300	(3898)	12800	(3751)	12300	(3605)	11800	(3458)	11300	(3312)	10700	(3136)	10200	(2989)
	40	(4.4)	12200	(3576)	11700	(3429)	11300	(3312)	10800	(3165)	10300	(3019)	9850	(2887)	9380	(2749)
	35	(1.7)	11100	(3253)	10700	(3136)	10300	(3019)	9850	(2887)	9420	(2761)	9000	(2638)	8570	(2512)
	30	(-1.1)	10100	(2960)	9710	(2846)	9330	(2734)	8950	(2623)	8560	(2509)	8180	(2397)	7790	(2283)
	25	(-3.9)	9120	(2673)	8780	(2573)	8430	(2471)	8090	(2371)	7740	(2268)	7390	(2166)	7050	(2066)
	20	(-6.7)	8190	(2400)	7890	(2312)	7580	(2222)	7270	(2131)	6960	(2040)	6650	(1949)	6340	(1858)
	15	(-9.4)	7330	(2148)	7060	(2069)	6770	(1984)	6500	(1905)	6230	(1826)	5940	(1741)	5670	(1662)
	10	(-12.2)	6520†	(1911)†	6270†	(1838)†	6030†	(1767)†	5790†	(1697)†	5530†	(1621)†	5290†	(1550)†	5040†	(1477)†
	5	(-15.0)	5780†	(1694)†	5550†	(1627)†	5330†	(1562)†	5110†	(1498)†	4890†	(1433)†	4670†	(1369)†	---	---
	0	(-17.8)	5090†	(1492)†	4890†	(1433)†	4690†	(1375)†	4490†	(1316)†	---	---	---	---	---	---
TEHA010H2 Compressor Model RS70C1	45	(7.2)	15300	(4484)	14700	(4308)	14000	(4103)	13500	(3957)	12900	(3781)	12300	(3605)	---	---
	40	(4.4)	14000	(4103)	13400	(3927)	12800	(3751)	12200	(3576)	11700	(3429)	11200	(3283)	10700	(3136)
	35	(1.7)	12700	(3722)	12200	(3576)	11600	(3400)	11000	(3224)	10500	(3077)	10000	(2931)	9590	(2811)
	30	(-1.1)	11500	(3370)	11000	(3224)	10500	(3077)	9930	(2910)	9430	(2764)	8960	(2626)	8530	(2500)
	25	(-3.9)	10400	(3048)	9870	(2893)	9370	(2746)	8870	(2600)	8390	(2459)	7940	(2327)	7520	(2204)
	20	(-6.7)	9270	(2717)	8800	(2579)	8330	(2441)	7850	(2301)	7390	(2166)	6960	(2040)	6550	(1920)
	15	(-9.4)	8220	(2409)	7780	(2280)	7340	(2151)	6890	(2019)	6450	(1890)	6030	(1767)	5630	(1650)
	10	(-12.2)	7220†	(2116)†	6810†	(1996)†	6380†	(1870)†	5960†	(1747)†	5530†	(1621)†	5120†	(1501)†	4750†	(1392)†
	5	(-15.0)	6270†	(1838)†	5890†	(1726)†	5480†	(1606)†	5070†	(1486)†	4660†	(1366)†	4270†	(1251)†	---	---
	0	(-17.8)	5360†	(1571)†	5000†	(1465)†	4620†	(1354)†	4220†	(1237)†	---	---	---	---	---	---
TEHA015H2 Compressor Model CR18KQ	45	(7.2)	23600	(6917)	22600	(6624)	21600	(6331)	20600	(6038)	19700	(5774)	18700	(5481)	17700	(5188)
	40	(4.4)	21400	(6272)	20400	(5979)	19500	(5715)	18600	(5451)	17700	(5188)	16700	(4894)	15800	(4631)
	35	(1.7)	19200	(5627)	18400	(5393)	17500	(5129)	16600	(4865)	15800	(4631)	14900	(4367)	14000	(4103)
	30	(-1.1)	17200	(5041)	16400	(4807)	15600	(4572)	14700	(4308)	13900	(4074)	13100	(3839)	12300	(3605)
	25	(-3.9)	15200	(4455)	14500	(4250)	13700	(4015)	13000	(3810)	12200	(3576)	11400	(3341)	10700	(3136)
	20	(-6.7)	13400	(3927)	12700	(3722)	12000	(3517)	11300	(3312)	10600	(3107)	9840	(2884)	9120	(2673)
	15	(-9.4)	11700	(3429)	11000	(3224)	10400	(3048)	9700	(2843)	9030	(2647)	8370	(2453)	7700	(2257)
	10	(-12.2)	10100†	(2960)†	9480†	(2778)†	8870†	(2600)†	8250†	(2418)†	7630†	(2236)†	7000†	(2052)†	6370†	(1867)†
	5	(-15.0)	8640†	(2532)†	8090†	(2371)†	7520†	(2204)†	6940†	(2034)†	6350†	(1861)†	5760†	(1688)†	5180†	(1518)†
	0	(-17.8)	7350†	(2154)†	6840†	(2005)†	6300†	(1846)†	5750†	(1685)†	5210†	(1527)†	---	---	---	---
TEHA020H2 Compressor Model CR24KQ	45	(7.2)	27800	(8148)	26800	(7855)	25700	(7532)	24500	(7181)	23400	(6858)	22300	(6536)	21100	(6184)
	40	(4.4)	25400	(7444)	24400	(7151)	23300	(6829)	22300	(6536)	21200	(6213)	20200	(5920)	19100	(5598)
	35	(1.7)	23000	(6741)	22100	(6477)	21100	(6184)	20100	(5891)	19200	(5627)	18200	(5334)	17100	(5012)
	30	(-1.1)	20800	(6096)	19900	(5832)	19000	(5569)	18100	(5305)	17200	(5041)	16200	(4748)	15300	(4484)
	25	(-3.9)	18600	(5451)	17800	(5217)	17000	(4982)	16100	(4719)	15300	(4484)	14400	(4220)	13500	(3957)
	20	(-6.7)	16600	(4865)	15900	(4660)	15100	(4426)	14300	(4191)	13500	(3957)	12700	(3722)	11900	(3488)
	15	(-9.4)	14700	(4308)	14000	(4103)	13300	(3898)	12600	(3693)	11900	(3488)	11100	(3253)	10400	(3048)
	10	(-12.2)	12900	(3781)	12300	(3605)	11700	(3429)	11000	(3224)	10300	(3019)	9670	(2834)	8980	(2632)
	5	(-15.0)	11300	(3312)	10700	(3136)	10100	(2960)	9540	(2796)	8950	(2623)	8330	(2441)	7700	(2257)
	0	(-17.8)	9770	(2863)	9260	(2714)	8750	(2564)	8220	(2409)	7690	(2254)	---	---	---	---

--- Outside Operating Range † Max 40°F RGT

CONDENSING UNIT MODEL	SATURATED SUCTION TEMPERATURE		AMBIENT TEMPERATURE °F (°C)							
	°F	°C	80 (26.6)	85 (29.4)	90 (32.2)	95 (35)	100 (37.8)	105 (40.6)	110 (43.3)	
TEHA025H2 Compressor Model CR32KQ	45 (7.2)	36100 (10580)	34800 (10199)	33500 (9818)	32200 (9437)	30800 (9027)	29500 (8646)	28200 (8265)	26900 (7884)	25700 (7532)
	40 (4.4)	33000 (9672)	31800 (9320)	30600 (8968)	29400 (8617)	28200 (8265)	26900 (7884)	25700 (7532)	24500 (7181)	23300 (6829)
	35 (1.7)	30100 (8822)	29000 (8499)	27900 (8177)	26700 (7825)	25600 (7503)	24500 (7181)	23300 (6829)	22100 (6477)	21100 (6184)
	30 (-1.1)	27300 (8001)	26300 (7708)	25300 (7415)	24200 (7093)	23200 (6800)	22100 (6477)	21100 (6184)	20000 (5865)	19000 (5553)
	25 (-3.9)	24700 (7239)	23800 (6975)	22800 (6682)	21800 (6389)	20800 (6096)	19900 (5832)	18900 (5539)	17900 (5246)	16900 (4953)
	20 (-6.7)	22200 (6506)	21300 (6243)	20400 (5979)	19500 (5715)	18600 (5451)	17700 (5188)	16900 (4953)	16000 (4690)	15100 (4427)
	15 (-9.4)	19800 (5803)	19000 (5569)	18100 (5305)	17300 (5070)	16500 (4836)	15700 (4601)	14900 (4367)	14100 (4133)	13300 (3900)
	10 (-12.2)	17500 (5129)	16700 (4894)	15900 (4660)	15200 (4455)	14400 (4220)	13700 (4015)	12900 (3781)	12100 (3547)	11300 (3313)
	5 (-15.0)	15200 (4455)	14500 (4250)	13800 (4045)	13100 (3839)	12400 (3634)	11700 (3429)	11000 (3224)	10300 (3019)	9600 (2814)
0 (-17.8)	13100 (3839)	12300 (3605)	11700 (3429)	11000 (3224)	10300 (3019)	9600 (2814)	8900 (2609)	8200 (2404)	7500 (2199)	
TEHA029H2 Compressor Model CR37KQ	45 (7.2)	40400 (11841)	38900 (11401)	37300 (10932)	35800 (10492)	34400 (10082)	32900 (9642)	31400 (9203)	30100 (8822)	28700 (8411)
	40 (4.4)	37100 (10873)	35700 (10463)	34300 (10053)	32800 (9613)	31400 (9203)	30100 (8822)	28700 (8411)	27300 (8001)	26100 (7649)
	35 (1.7)	34000 (9965)	32600 (9555)	31300 (9174)	29900 (8763)	28600 (8382)	27300 (8001)	26100 (7649)	24900 (7297)	23700 (6945)
	30 (-1.1)	30900 (9056)	29600 (8675)	28400 (8324)	27100 (7943)	25900 (7591)	24600 (7210)	23400 (6858)	22200 (6506)	21100 (6184)
	25 (-3.9)	27900 (8177)	26700 (7825)	25500 (7474)	24400 (7151)	23200 (6800)	22000 (6448)	20900 (6125)	19800 (5803)	18700 (5481)
	20 (-6.7)	25100 (7356)	24000 (7034)	22800 (6682)	21700 (6360)	20600 (6038)	19500 (5715)	18500 (5422)	17400 (5100)	16300 (4777)
	15 (-9.4)	22300 (6536)	21300 (6243)	20200 (5920)	19200 (5627)	18100 (5305)	17100 (5012)	16100 (4719)	15100 (4427)	14100 (4133)
	10 (-12.2)	19700 (5774)	18700 (5481)	17700 (5188)	16700 (4894)	15800 (4631)	14800 (4338)	13800 (4045)	12800 (3752)	11800 (3459)
	5 (-15.0)	17200 (5041)	16300 (4777)	15400 (4513)	14400 (4220)	13500 (3957)	12600 (3693)	11700 (3429)	10800 (3166)	9900 (2903)
0 (-17.8)	14900 (4367)	14000 (4103)	13100 (3839)	12200 (3576)	11300 (3313)	10400 (3050)	9500 (2787)	8600 (2524)	7700 (2261)	
TEHA030H2 Compressor Model CR37KQ	45 (7.2)	44900 (13159)	43200 (12661)	41600 (12192)	40000 (11723)	38300 (11225)	36700 (10756)	35100 (10287)	33400 (9789)	31900 (9349)
	40 (4.4)	41000 (12016)	39500 (11577)	38000 (11137)	36400 (10668)	34900 (10229)	33400 (9789)	31900 (9349)	30200 (8851)	28700 (8411)
	35 (1.7)	37300 (10932)	35900 (10522)	34500 (10111)	33000 (9672)	31600 (9261)	30200 (8851)	28700 (8411)	27100 (7943)	25700 (7532)
	30 (-1.1)	33800 (9906)	32400 (9496)	31100 (9115)	29800 (8734)	28400 (8324)	27100 (7943)	25700 (7532)	24100 (7063)	22900 (6712)
	25 (-3.9)	30400 (8910)	29100 (8529)	27900 (8177)	26600 (7796)	25400 (7444)	24100 (7063)	22900 (6712)	21300 (6243)	20100 (5891)
	20 (-6.7)	27200 (7972)	26000 (7620)	24800 (7268)	23600 (6917)	22400 (6565)	21300 (6243)	20100 (5891)	18500 (5422)	17300 (5070)
	15 (-9.4)	24100 (7063)	23000 (6741)	21900 (6419)	20800 (6096)	19700 (5774)	18600 (5451)	17500 (5129)	16000 (4689)	14800 (4338)
	10 (-12.2)	21200 (6213)	20200 (5920)	19100 (5598)	18100 (5305)	17000 (4982)	16000 (4689)	15000 (4396)	13500 (3927)	12300 (3576)
	5 (-15.0)	18500 (5422)	17500 (5129)	16500 (4836)	15500 (4543)	14500 (4250)	13600 (3986)	12600 (3693)	11100 (3224)	10000 (2931)
0 (-17.8)	15900 (4660)	15000 (4396)	14100 (4132)	13100 (3839)	12200 (3576)	11300 (3313)	10400 (3050)	9500 (2787)	8600 (2524)	
TEHA035H2 Compressor Model CR41KQ	45 (7.2)	49400 (14478)	47600 (13951)	45800 (13423)	44000 (12896)	42200 (12368)	40400 (11841)	38500 (11284)	36800 (10785)	35100 (10287)
	40 (4.4)	45000 (13189)	43400 (12720)	41800 (12251)	40100 (11753)	38400 (11254)	36800 (10785)	35100 (10287)	33300 (9760)	31800 (9320)
	35 (1.7)	40900 (11987)	39400 (11547)	37900 (11108)	36400 (10668)	34800 (10199)	33300 (9760)	31800 (9320)	30000 (8792)	28600 (8382)
	30 (-1.1)	36900 (10815)	35500 (10404)	34100 (9994)	32800 (9613)	31400 (9203)	30000 (8792)	28600 (8382)	26800 (7855)	25500 (7474)
	25 (-3.9)	33100 (9701)	31800 (9320)	30600 (8968)	29300 (8587)	28100 (8236)	26800 (7855)	25500 (7474)	23700 (6946)	22600 (6624)
	20 (-6.7)	29500 (8646)	28400 (8324)	27200 (7972)	26100 (7649)	24900 (7298)	23700 (6946)	22600 (6624)	20800 (6125)	19800 (5803)
	15 (-9.4)	26200 (7679)	25100 (7356)	24000 (7034)	23000 (6741)	21900 (6419)	20900 (6125)	19800 (5803)	18000 (5276)	17000 (4953)
	10 (-12.2)	23000† (6741)†	22100† (6477)†	21100† (6184)†	20100† (5891)†	19100† (5598)†	18100† (5305)†	17200† (5041)†	15400† (4513)†	14400† (4220)†
	5 (-15.0)	20100† (5891)†	19200† (5627)†	18300† (5363)†	17400† (5100)†	16500† (4836)†	15600† (4572)†	14700† (4309)†	12900† (3781)†	12000† (3516)†
0 (-17.8)	17500† (5129)†	16600† (4865)†	15800† (4631)†	14900† (4367)†	14000† (4103)†	13100† (3839)†	12200† (3576)†	10400† (3050)†	9500† (2787)†	

--- Outside Operating Range † Max 40°F RGT

CONDENSING UNIT MODEL	SATURATED SUCTION TEMPERATURE		AMBIENT TEMPERATURE ° F (° C)								
			80 (26.6)	85 (29.4)	90 (32.2)	95 (35)	100 (37.8)	105 (40.6)	110 (43.3)		
	° F	° C									
TEHA040H2 Compressor Model CR53KQ	45 (7.2)		60200 (17644)	58000 (16999)	55800 (16354)	53500 (15680)	51200 (15006)	48900 (14332)	---	---	
	40 (4.4)		55200 (16178)	53100 (15563)	51100 (14977)	49000 (14361)	46900 (13746)	44800 (13130)	42700 (12515)		
	35 (1.7)		50300 (14742)	48400 (14185)	46500 (13628)	44600 (13072)	42700 (12515)	40700 (11928)	38800 (11372)		
	30 (-1.1)		45500 (13335)	43800 (12837)	42100 (12339)	40300 (11811)	38600 (11313)	36800 (10785)	35000 (10258)		
	25 (-3.9)		41000 (12016)	39400 (11547)	37800 (11079)	36200 (10610)	34600 (10141)	33000 (9672)	31400 (9203)		
	20 (-6.7)		36700 (10756)	35200 (10317)	33800 (9906)	32300 (9467)	30800 (9027)	29400 (8617)	27900 (8177)		
	15 (-9.4)		32600 (9555)	31300 (9174)	29900 (8763)	28600 (8382)	27200 (7972)	25900 (7591)	24500 (7181)		
	10 (-12.2)		28800† (8441)†	27500† (8060)†	26300† (7708)†	25000† (7327)†	23800† (6975)†	22600† (6624)†	21300† (6243)†		
	5 (-15.0)		25200† (7386)†	24000† (7034)†	22900† (6712)†	21700† (6360)†	20600† (6038)†	19400† (5686)†	---	---	
0 (-17.8)		21900† (6419)†	20800† (6096)†	19700† (5774)†	18600† (5451)†	---	---	---	---		
TEHA050H2 Compressor Model CRN5-0500	45 (7.2)		72000 (21102)	69500 (20369)	67000 (19637)	64600 (18933)	62200 (18230)	59800 (17526)	57400 (16823)		
	40 (4.4)		65800 (19285)	63500 (18611)	61300 (17966)	59000 (17292)	56800 (16647)	54600 (16002)	52300 (15328)		
	35 (1.7)		60000 (17585)	57900 (16970)	55800 (16354)	53700 (15739)	51700 (15152)	49600 (14537)	47500 (13921)		
	30 (-1.1)		54400 (15944)	52500 (15387)	50600 (14830)	48700 (14273)	46800 (13716)	44900 (13159)	42900 (12573)		
	25 (-3.9)		49200 (14420)	47400 (13892)	45700 (13394)	43900 (12866)	42100 (12339)	40300 (11811)	38500 (11284)		
	20 (-6.7)		44200 (12954)	42600 (12485)	40900 (11987)	39300 (11518)	37600 (11020)	35900 (10522)	34200 (10023)		
	15 (-9.4)		39400 (11547)	37900 (11108)	36400 (10668)	34800 (10199)	33200 (9730)	31600 (9261)	29900 (8763)		
	10 (-12.2)		34900† (10229)†	33500† (9818)†	32000† (9379)†	30500† (8939)†	29000† (8499)†	27400† (8030)†	25800† (7562)†		
	5 (-15.0)		30500† (8939)†	29100† (8529)†	27800† (8148)†	26300† (7708)†	24800† (7268)†	23200† (6800)†	---	---	
0 (-17.8)		26300† (7708)†	25000† (7327)†	23600† (6917)†	22200† (6506)†	---	---	---	---		

--- Outside Operating Range † Max 40°F RGT

CONDENSING UNIT MODEL	SATURATED SUCTION TEMPERATURE		AMBIENT TEMPERATURE ° F ( ° C)							
	° F	° C	80 (26.6)	85 (29.4)	90 (32.2)	95 (35.0)	100 (37.8)	105 (40.6)	110 (43.3)	
TEHA006E6 Compressor Model RS43C2E*	30	(-1.1)	8350 (2447)	7860 (2304)	7390 (2166)	6920 (2028)	6460 (1893)	6010 (1761)	5550 (1627)	
	25	(-3.9)	7620 (2233)	7180 (2104)	6750 (1978)	6330 (1855)	5900 (1729)	5490 (1609)	5080 (1489)	
	20	(-6.7)	6920 (2028)	6530 (1914)	6130 (1797)	5740 (1682)	5370 (1574)	4990 (1462)	4620 (1354)	
	15	(-9.4)	6250 (1832)	5890 (1726)	5530 (1621)	5190 (1521)	4840 (1419)	4490 (1316)	4160 (1219)	
	10	(-12.2)	5600 (1641)	5270 (1545)	4960 (1454)	4640 (1360)	4330 (1269)	4020 (1178)	3720 (1090)	
	5	(-15.0)	4980 (1460)	4690 (1375)	4400 (1290)	4120 (1208)	3830 (1123)	3560 (1043)	3280 (961)	
	0	(-17.8)	4400 (1290)	4140 (1213)	3890 (1140)	3620 (1061)	3370 (988)	3110 (911)	2860 (838)	
	-5	(-20.6)	3658 (1072)	3439 (1008)	3221 (944)	3002 (880)	2774 (813)	2556 (749)	2337 (685)	
	-10	(-23.3)	3192 (936)	2993 (877)	2793 (819)	2584 (757)	2385 (699)	2176 (638)	1976 (579)	
	-15	(-26.1)	2765 (810)	2575 (755)	2394 (702)	2204 (646)	2014 (590)	1824 (535)	1625 (476)	
	-20	(-28.9)	2375 (696)	2204 (646)	2033 (596)	1862 (546)	1682 (493)	1501 (440)	1321 (387)	
-25	(-31.7)	2043 (599)	1881 (551)	1720 (504)	1558 (457)	1378 (404)	1207 (354)	1017 (298)		
TEHA008E6 Compressor Model RS55C2E*	30	(-1.1)	10300 (3019)	9730 (2852)	9170 (2688)	8610 (2523)	8040 (2356)	7500 (2198)	6950 (2037)	
	25	(-3.9)	9410 (2758)	8880 (2603)	8370 (2453)	7840 (2298)	7340 (2151)	6830 (2002)	6330 (1855)	
	20	(-6.7)	8540 (2503)	8060 (2362)	7580 (2222)	7110 (2084)	6650 (1949)	6180 (1811)	5720 (1676)	
	15	(-9.4)	7710 (2260)	7270 (2131)	6840 (2005)	6410 (1879)	5970 (1750)	5550 (1627)	5130 (1504)	
	10	(-12.2)	6910 (2025)	6510 (1908)	6120 (1794)	5730 (1679)	5330 (1562)	4960 (1454)	4580 (1342)	
	5	(-15.0)	6150 (1802)	5800 (1700)	5440 (1594)	5080 (1489)	4730 (1386)	4380 (1284)	4030 (1181)	
	0	(-17.8)	5450 (1597)	5120 (1501)	4800 (1407)	4470 (1310)	4150 (1216)	3830 (1123)	3520 (1032)	
	-5	(-20.6)	4551 (1334)	4266 (1250)	3990 (1169)	3705 (1086)	3420 (1002)	3145 (922)	2869 (841)	
	-10	(-23.3)	3971 (1164)	3715 (1089)	3449 (1011)	3192 (936)	2945 (863)	2679 (785)	2432 (713)	
	-15	(-26.1)	3439 (1008)	3202 (938)	2964 (869)	2727 (799)	2480 (727)	2252 (660)	2014 (590)	
	-20	(-28.9)	2964 (869)	2746 (805)	2527 (741)	2299 (674)	2071 (607)	1853 (543)	1634 (479)	
-25	(-31.7)	2537 (743)	2337 (685)	2119 (621)	1910 (560)	1701 (498)	1482 (434)	1273 (373)		
TEHA009E6 Compressor Model RS64C2E*	30	(-1.1)	11100 (3253)	10600 (3107)	10000 (2931)	9420 (2761)	8850 (2594)	8270 (2424)	7690 (2254)	
	25	(-3.9)	10200 (2989)	9700 (2843)	9190 (2693)	8660 (2538)	8130 (2383)	7600 (2227)	7070 (2072)	
	20	(-6.7)	9360 (2743)	8880 (2603)	8400 (2462)	7920 (2321)	7430 (2178)	6950 (2037)	6470 (1896)	
	15	(-9.4)	8530 (2500)	8090 (2371)	7640 (2239)	7210 (2113)	6770 (1984)	6320 (1852)	5880 (1723)	
	10	(-12.2)	7720 (2263)	7320 (2145)	6920 (2028)	6520 (1911)	6120 (1794)	5720 (1676)	5310 (1556)	
	5	(-15.0)	6950 (2037)	6590 (1931)	6230 (1826)	5860 (1717)	5500 (1612)	5130 (1504)	4770 (1398)	
	0	(-17.8)	6230 (1826)	5890 (1726)	5550 (1627)	5230 (1533)	4890 (1433)	4570 (1339)	4230 (1240)	
	-5	(-20.6)	5244 (1537)	4959 (1453)	4665 (1367)	4389 (1286)	4104 (1203)	3810 (1117)	3534 (1036)	
	-10	(-23.3)	4608 (1350)	4351 (1275)	4095 (1200)	3819 (1119)	3572 (1047)	3316 (972)	3050 (894)	
	-15	(-26.1)	4009 (1175)	3772 (1105)	3525 (1033)	3297 (966)	3050 (894)	2822 (827)	2594 (760)	
	-20	(-28.9)	3439 (1008)	3211 (941)	2983 (874)	2774 (813)	2556 (749)	2347 (688)	2138 (626)	
-25	(-31.7)	2898 (849)	2679 (785)	2470 (724)	2261 (663)	2071 (607)	1872 (549)	1682 (493)		
TEHA010E6 Compressor Model RS70C1E*	30	(-1.1)	12500 (3664)	11800 (3458)	11100 (3253)	10400 (3048)	9710 (2846)	9020 (2644)	8320 (2438)	
	25	(-3.9)	11400 (3341)	10800 (3165)	10100 (2960)	9490 (2781)	8870 (2600)	8230 (2412)	7600 (2227)	
	20	(-6.7)	10300 (3019)	9750 (2858)	9190 (2693)	8630 (2529)	8070 (2365)	7500 (2198)	6920 (2028)	
	15	(-9.4)	9310 (2729)	8810 (2582)	8320 (2438)	7820 (2292)	7320 (2145)	6800 (1993)	6290 (1843)	
	10	(-12.2)	8370 (2453)	7930 (2324)	7500 (2198)	7060 (2069)	6600 (1934)	6140 (1800)	5670 (1662)	
	5	(-15.0)	7480 (2192)	7100 (2081)	6710 (1967)	6320 (1852)	5920 (1735)	5500 (1612)	5070 (1486)	
	0	(-17.8)	6640 (1946)	6300 (1846)	5960 (1747)	5610 (1644)	5250 (1539)	4870 (1427)	4470 (1310)	
	-5	(-20.6)	5539 (1623)	5254 (1540)	4969 (1456)	4665 (1367)	4361 (1278)	4028 (1181)	3677 (1078)	
	-10	(-23.3)	4798 (1406)	4551 (1334)	4294 (1258)	4009 (1175)	3724 (1091)	3411 (1000)	3078 (902)	
	-15	(-26.1)	4076 (1194)	3848 (1128)	3610 (1058)	3354 (983)	3069 (899)	2774 (813)	2451 (718)	
	-20	(-28.9)	3363 (986)	3145 (922)	2917 (855)	2660 (780)	2394 (702)	2100 (615)	1777 (521)	
-25	(-31.7)	2641 (774)	2423 (710)	2195 (643)	1948 (571)	1672 (490)	1378 (404)	1045 (306)		

--- Outside Operating Range † Max 40°F RGT \* Not suitable for use with R-507

**R404A - EXTENDED MEDIUM  
TEMPERATURE  
CAPACITY BTU/H (WATTS)**

CONDENSING UNIT MODEL	SATURATED SUCTION TEMPERATURE		AMBIENT TEMPERATURE ° F (° C)									
	° F	° C	80 (26.6)	85 (29.4)	90 (32.2)	95 (35.0)	100 (37.8)	105 (40.6)	110 (43.3)			
TEHA015E6 Compressor Model CS10K6E	30	(-1.1)	20200 (5920)	19000 (5569)	17900 (5246)	16700 (4894)	15600 (4572)	14400 (4220)	13300 (3898)			
	25	(-3.9)	18400 (5393)	17300 (5070)	16300 (4777)	15200 (4455)	14100 (4132)	13100 (3839)	12100 (3546)			
	20	(-6.7)	16600 (4865)	15700 (4601)	14700 (4308)	13700 (4015)	12700 (3722)	11800 (3458)	10800 (3165)			
	15	(-9.4)	14900 (4367)	14000 (4103)	13100 (3839)	12200 (3576)	11300 (3312)	10500 (3077)	9590 (2811)			
	10	(-12.2)	13200 (3869)	12400 (3634)	11600 (3400)	10800 (3165)	9990 (2928)	9180 (2691)	8380 (2456)			
	5	(-15.0)	11600 (3400)	10900 (3195)	10100 (2960)	9400 (2755)	8660 (2538)	7930 (2324)	7200 (2110)			
	0	(-17.8)	10100 (2960)	9400 (2755)	8730 (2559)	8060 (2362)	7390 (2166)	6730 (1972)	6070 (1779)			
	-5	(-20.6)	8180 (2397)	7600 (2227)	7030 (2060)	6460 (1893)	5596 (1640)	5320 (1559)	4741 (1389)			
	-10	(-23.3)	6888 (2019)	6375 (1868)	5852 (1715)	5349 (1568)	4826 (1414)	4313 (1264)	3791 (1111)			
	-15	(-26.1)	5710 (1673)	5244 (1537)	4788 (1403)	4332 (1270)	3857 (1130)	3392 (994)	2926 (858)			
	-20	(-28.9)	4646 (1362)	4247 (1245)	3838 (1125)	3420 (1002)	3002 (880)	2575 (755)	2147 (629)			
-25	(-31.7)	3743 (1097)	3382 (991)	3012 (883)	2641 (774)	2261 (663)	1872 (549)	1482 (434)				
TEHA020E6 Compressor Model CS12K6E	30	(-1.1)	23000 (6741)	21800 (6389)	20500 (6008)	19300 (5657)	18100 (5305)	16800 (4924)	15600 (4572)			
	25	(-3.9)	20800 (6096)	19700 (5774)	18500 (5422)	17400 (5100)	16200 (4748)	15100 (4426)	13900 (4074)			
	20	(-6.7)	18800 (5510)	17700 (5188)	16600 (4865)	15600 (4572)	14500 (4250)	13500 (3957)	12400 (3634)			
	15	(-9.4)	16800 (4924)	15800 (4631)	14900 (4367)	13900 (4074)	12900 (3781)	11900 (3488)	11000 (3224)			
	10	(-12.2)	15000 (4396)	14100 (4132)	13200 (3869)	12300 (3605)	11400 (3341)	10500 (3077)	9610 (2817)			
	5	(-15.0)	13300 (3898)	12400 (3634)	11600 (3400)	10700 (3136)	9920 (2907)	9120 (2673)	8320 (2438)			
	0	(-17.8)	11600 (3400)	10800 (3165)	10100 (2960)	9300 (2726)	8560 (2509)	7830 (2295)	7110 (2084)			
	-5	(-20.6)	9595 (2812)	8864 (2598)	8199 (2403)	7543 (2211)	6907 (2024)	6270 (1838)	5653 (1657)			
	-10	(-23.3)	8170 (2394)	7524 (2205)	6907 (2024)	6308 (1849)	5729 (1679)	5159 (1512)	4608 (1350)			
	-15	(-26.1)	6840 (2005)	6242 (1829)	5672 (1662)	5124 (1501)	4598 (1348)	4095 (1200)	3601 (1055)			
	-20	(-28.9)	5567 (1632)	5016 (1470)	4475 (1311)	3981 (1167)	3506 (1027)	3040 (891)	2613 (766)			
-25	(-31.7)	4351 (1275)	3819 (1119)	3335 (977)	2869 (841)	2432 (713)	2024 (593)	1644 (482)				
TEHA025E6 Compressor Model CS14K6E	30	(-1.1)	26400 (7737)	25000 (7327)	23500 (6887)	22100 (6477)	20700 (6067)	19200 (5627)	17800 (5217)			
	25	(-3.9)	24200 (7093)	22900 (6712)	21600 (6331)	20300 (5950)	19000 (5569)	17700 (5188)	16300 (4777)			
	20	(-6.7)	22100 (6477)	20900 (6125)	19700 (5774)	18500 (5422)	17300 (5070)	16100 (4719)	14900 (4367)			
	15	(-9.4)	20000 (5862)	18900 (5539)	17800 (5217)	16700 (4894)	15600 (4572)	14500 (4250)	13400 (3927)			
	10	(-12.2)	17900 (5246)	16900 (4953)	15900 (4660)	14900 (4367)	13900 (4074)	13000 (3810)	12000 (3517)			
	5	(-15.0)	15900 (4660)	15000 (4396)	14100 (4132)	13200 (3869)	12300 (3605)	11400 (3341)	10500 (3077)			
	0	(-17.8)	14000 (4103)	13200 (3869)	12400 (3634)	11600 (3400)	10800 (3165)	9950 (2916)	9160 (2685)			
	-5	(-20.6)	11495 (3369)	10830 (3174)	10165 (2979)	9481 (2779)	8797 (2578)	8123 (2381)	7448 (2183)			
	-10	(-23.3)	9880 (2896)	9301 (2726)	8683 (2545)	8066 (2364)	7467 (2188)	6859 (2010)	6261 (1835)			
	-15	(-26.1)	8417 (2467)	7866 (2305)	7325 (2147)	6774 (1985)	6232 (1826)	5700 (1671)	5168 (1515)			
	-20	(-28.9)	7068 (2072)	6584 (1930)	6090 (1785)	5605 (1643)	5130 (1504)	4646 (1362)	4180 (1225)			
-25	(-31.7)	5900 (1729)	5453 (1598)	5016 (1470)	4579 (1342)	4161 (1220)	3734 (1094)	3316 (972)				
TEHA029E6 Compressor Model CS18K6E	30	(-1.1)	32200 (9437)	30400 (8910)	28600 (8382)	26800 (7855)	24900 (7298)	23100 (6770)	21300 (6243)			
	25	(-3.9)	29800 (8734)	28100 (8236)	26300 (7708)	24600 (7210)	23000 (6741)	21300 (6243)	19600 (5744)			
	20	(-6.7)	27200 (7972)	25600 (7503)	24100 (7063)	22500 (6594)	20900 (6125)	19400 (5686)	17800 (5217)			
	15	(-9.4)	24700 (7239)	23200 (6800)	21700 (6360)	20300 (5950)	18800 (5510)	17400 (5100)	16000 (4689)			
	10	(-12.2)	22100 (6477)	20800 (6096)	19400 (5686)	18100 (5305)	16800 (4924)	15500 (4543)	14200 (4162)			
	5	(-15.0)	19600 (5744)	18400 (5393)	17100 (5012)	15900 (4660)	14700 (4308)	13500 (3957)	12400 (3634)			
	0	(-17.8)	17200 (5041)	16100 (4719)	14900 (4367)	13800 (4045)	12700 (3722)	11700 (3429)	10600 (3107)			
	-5	(-20.6)	14060 (4121)	13110 (3842)	12160 (3564)	11210 (3285)	10355 (3035)	9405 (2756)	8541 (2503)			
	-10	(-23.3)	11970 (3508)	11115 (3258)	10260 (3007)	9462 (2773)	8645 (2534)	7857 (2303)	7106 (2083)			
	-15	(-26.1)	10070 (2951)	9358 (2743)	8607 (2523)	7866 (2305)	7163 (2099)	6489 (1902)	5833 (1710)			
	-20	(-28.9)	8417 (2467)	7771 (2278)	7125 (2088)	6498 (1904)	5890 (1726)	5320 (1559)	4788 (1403)			
-25	(-31.7)	7002 (2052)	6451 (1891)	5909 (1732)	5377 (1576)	4874 (1428)	4408 (1292)	4000 (1172)				

--- Outside Operating Range † Max 40°F RGT

CONDENSING UNIT MODEL	SATURATED SUCTION TEMPERATURE		AMBIENT TEMPERATURE ° F ( ° C)													
			° F	° C	80	(26.6)	85	(29.4)	90	(32.2)	95	(35.0)	100	(37.8)	105	(40.6)
	TEHA030E6 Compressor Model CS18K6E*	30	(-1.1)	36200	(10610)	34300	(10053)	32300	(9467)	30300	(8880)	28300	(8294)	26300	(7708)	24400
25		(-3.9)	33200	(9730)	31400	(9203)	29600	(8675)	27700	(8118)	25900	(7591)	24000	(7034)	22200	(6506)
20		(-6.7)	30200	(8851)	28500	(8353)	26800	(7855)	25100	(7356)	23400	(6858)	21700	(6360)	20000	(5862)
15		(-9.4)	27200	(7972)	25600	(7503)	24100	(7063)	22500	(6594)	20900	(6125)	19400	(5686)	17800	(5217)
10		(-12.2)	24200	(7093)	22800	(6682)	21400	(6272)	19900	(5832)	18500	(5422)	17100	(5012)	15700	(4601)
5		(-15.0)	21300	(6243)	20000	(5862)	18700	(5481)	17400	(5100)	16100	(4719)	14800	(4338)	13600	(3986)
0		(-17.8)	18500	(5422)	17400	(5100)	16200	(4748)	15000	(4396)	13800	(4045)	12700	(3722)	11600	(3400)
-5		(-20.6)	15105	(4427)	14155	(4149)	13110	(3842)	12160	(3564)	11115	(3258)	10165	(2979)	9215	(2701)
-10		(-23.3)	12825	(3759)	11875	(3480)	11020	(3230)	10165	(2979)	9263	(2715)	8417	(2467)	7610	(2230)
-15		(-26.1)	10735	(3146)	9975	(2924)	9149	(2681)	8379	(2456)	7619	(2233)	6897	(2021)	6204	(1818)
-20	(-28.9)	8864	(2598)	8199	(2403)	7534	(2208)	6859	(2010)	6223	(1824)	5605	(1643)	5035	(1476)	
-25	(-31.7)	7344	(2152)	6764	(1982)	6194	(1815)	5643	(1654)	5111	(1498)	4617	(1353)	4161	(1220)	
TEHA035E6 Compressor Model CS20K6E*	30	(-1.1)	41700	(12222)	39300	(11518)	36900	(10815)	34600	(10141)	32200	(9437)	30000	(8792)	27800	(8148)
	25	(-3.9)	37400	(10961)	35200	(10317)	33000	(9672)	30800	(9027)	28700	(8411)	26600	(7796)	24600	(7210)
	20	(-6.7)	33400	(9789)	31400	(9203)	29400	(8617)	27400	(8030)	25500	(7474)	23600	(6917)	21700	(6360)
	15	(-9.4)	29800	(8734)	27900	(8177)	26100	(7649)	24300	(7122)	22500	(6594)	20800	(6096)	19100	(5598)
	10	(-12.2)	26500	(7767)	24800	(7268)	23100	(6770)	21500	(6301)	19900	(5832)	18300	(5363)	16700	(4894)
	5	(-15.0)	23400	(6858)	21900	(6419)	20400	(5979)	18900	(5539)	17400	(5100)	16000	(4689)	14600	(4279)
	0	(-17.8)	20600	(6038)	19300	(5657)	17900	(5246)	16500	(4836)	15200	(4455)	13900	(4074)	12600	(3693)
	-5	(-20.6)	17195	(5040)	15960	(4678)	14820	(4343)	13680	(4009)	12445	(3647)	11305	(3313)	10260	(3007)
	-10	(-23.3)	14915	(4371)	13775	(4037)	12730	(3731)	11685	(3425)	10640	(3118)	9595	(2812)	8541	(2503)
	-15	(-26.1)	12730	(3731)	11780	(3453)	10830	(3174)	9785	(2868)	8835	(2589)	7857	(2303)	6897	(2021)
-20	(-28.9)	10640	(3148)	9785	(2868)	8854	(2595)	7961	(2333)	7049	(2066)	6137	(1799)	5216	(1529)	
-25	(-31.7)	8550	(2506)	7752	(2272)	6926	(2030)	6090	(1785)	5216	(1529)	4351	(1275)	3468	(1016)	
TEHA040E6 Compressor Model CS27K3E*	30	(-1.1)	49100	(14390)	46700	(13687)	44200	(12954)	41700	(12222)	39300	(11518)	36800	(10785)	34400	(10082)
	25	(-3.9)	44700	(13101)	42400	(12427)	40100	(11753)	37900	(11108)	35600	(10434)	33400	(9789)	31100	(9115)
	20	(-6.7)	40400	(11841)	38300	(11225)	36200	(10610)	34200	(10023)	32100	(9408)	30100	(8822)	28000	(8206)
	15	(-9.4)	36300	(10639)	34400	(10082)	32500	(9525)	30600	(8968)	28700	(8411)	26900	(7884)	25000	(7327)
	10	(-12.2)	32300	(9467)	30600	(8968)	28900	(8470)	27200	(7972)	25600	(7503)	23900	(7005)	22200	(6506)
	5	(-15.0)	28600	(8382)	27000	(7913)	25500	(7474)	24000	(7034)	22500	(6594)	21000	(6155)	19600	(5744)
	0	(-17.8)	25000	(7327)	23700	(6946)	22400	(6565)	21000	(6155)	19700	(5774)	18400	(5393)	17100	(5012)
	-5	(-20.6)	20700	(6067)	19600	(5744)	18500	(5422)	17400	(5100)	16300	(4777)	15200	(4455)	14100	(4132)
	-10	(-23.3)	17800	(5217)	16800	(4924)	15900	(4660)	14900	(4367)	14000	(4103)	13100	(3839)	12100	(3546)
	-15	(-26.1)	15100	(4426)	14300	(4191)	13500	(3957)	12700	(3722)	12000	(3517)	11200	(3283)	10400	(3048)
-20	(-28.9)	12700	(3722)	12000	(3517)	11400	(3341)	10800	(3165)	10100	(2960)	9500	(2784)	8840	(2591)	
-25	(-31.7)	10500	(3077)	10000	(2931)	9520	(2790)	9040	(2649)	8550	(2506)	8060	(2362)	7540	(2210)	
TEHA050E6 Compressor Model CS33K3E*	30	(-1.1)	55800	(16354)	53100	(15563)	50300	(14742)	47600	(13951)	44900	(13159)	42200	(12368)	39500	(11577)
	25	(-3.9)	51200	(15006)	48700	(14273)	46200	(13540)	43700	(12808)	41200	(12075)	38700	(11342)	36300	(10639)
	20	(-6.7)	46600	(13658)	44300	(12984)	42000	(12309)	39800	(11665)	37500	(10991)	35300	(10346)	33100	(9701)
	15	(-9.4)	42100	(12339)	40000	(11723)	38000	(11137)	35900	(10522)	33900	(9936)	31900	(9349)	29900	(8763)
	10	(-12.2)	37700	(11049)	35900	(10522)	34000	(9965)	32200	(9437)	30400	(8910)	28500	(8353)	26700	(7825)
	5	(-15.0)	33500	(9818)	31900	(9349)	30200	(8851)	28600	(8382)	26900	(7884)	25300	(7415)	23700	(6946)
	0	(-17.8)	29500	(8646)	28100	(8236)	26600	(7796)	25100	(7356)	23700	(6946)	22200	(6506)	20700	(6067)
	-5	(-20.6)	24600	(7210)	23400	(6858)	22100	(6477)	20900	(6125)	19600	(5744)	18400	(5393)	17100	(5012)
	-10	(-23.3)	21300	(6243)	20200	(5920)	19200	(5627)	18100	(5305)	17000	(4982)	15800	(4631)	14700	(4308)
	-15	(-26.1)	18400	(5393)	17500	(5129)	16500	(4836)	15500	(4543)	14500	(4250)	13500	(3957)	12500	(3664)
-20	(-28.9)	15800	(4631)	15000	(4396)	14200	(4162)	13300	(3898)	12400	(3634)	11500	(3370)	10600	(3107)	
-25	(-31.7)	13700	(4015)	13000	(3810)	12200	(3576)	11500	(3370)	10700	(3136)	9850	(2887)	9020	(2644)	

--- Outside Operating Range † Max 40°F RGT \* Not suitable for use with R-507





CONDENSING UNIT MODEL	SATURATED SUCTION TEMPERATURE		AMBIENT TEMPERATURE ° F ( ° C)								
	° F	° C	80 (26.6)	85 (29.4)	90 (32.2)	95 (35)	100 (37.8)	105 (40.6)	110 (43.3)		
TEHS010H2 Compressor Model H29B14U	45 (7.2)		16500 (4836)	15700 (4601)	15000 (4396)	14300 (4191)	13600 (3986)	12900 (3781)	12300 (3605)		
	40 (4.4)		14900 (4367)	14200 (4162)	13500 (3957)	12900 (3781)	12200 (3576)	11600 (3400)	10900 (3195)		
	35 (1.7)		13400 (3927)	12700 (3722)	12100 (3546)	11500 (3370)	10800 (3165)	10200 (2989)	9620 (2819)		
	30 (-1.1)		11900 (3488)	11300 (3312)	10700 (3136)	10100 (2960)	9490 (2781)	8900 (2608)	8320 (2438)		
	25 (-3.9)		10400 (3048)	9840 (2884)	9280 (2720)	8730 (2559)	8170 (2394)	7610 (2230)	7050 (2066)		
	20 (-6.7)		8960 (2626)	8450 (2477)	7940 (2327)	7420 (2175)	6900 (2022)	6360 (1864)	5820 (1706)		
	15 (-9.4)		7560 (2216)	7110 (2084)	6650 (1949)	6160 (1805)	5660 (1659)	5150 (1509)	4620 (1354)		
	10 (-12.2)		6230 (1826)	5830 (1709)	5400 (1583)	4960 (1454)	4480 (1313)	3990 (1169)	3480 (1020)		
	5 (-15.0)		4970 (1457)	4610 (1351)	4230 (1240)	3810 (1117)	3370 (988)	2900 (850)	2380 (698)		
0 (-17.8)		3790 (1111)	3480 (1020)	3140 (920)	2750 (806)	2320 (680)	1860 (545)	1370 (402)			
TEHS015H2 Compressor Model H29B18U	45 (7.2)		23500 (6887)	22500 (6594)	21500 (6301)	20500 (6008)	19500 (5715)	18600 (5451)	17700 (5188)		
	40 (4.4)		21200 (6213)	20200 (5920)	19300 (5657)	18400 (5393)	17500 (5129)	16600 (4865)	15800 (4631)		
	35 (1.7)		18900 (5539)	18100 (5305)	17200 (5041)	16400 (4807)	15500 (4543)	14700 (4308)	13900 (4074)		
	30 (-1.1)		16700 (4894)	15900 (4660)	15200 (4455)	14400 (4220)	13600 (3986)	12900 (3781)	12100 (3546)		
	25 (-3.9)		14600 (4279)	13900 (4074)	13100 (3839)	12400 (3634)	11700 (3429)	11000 (3224)	10300 (3019)		
	20 (-6.7)		12500 (3664)	11900 (3488)	11200 (3283)	10600 (3107)	9920 (2907)	9280 (2720)	8630 (2529)		
	15 (-9.4)		10600 (3107)	9980 (2925)	9380 (2749)	8790 (2576)	8190 (2400)	7600 (2227)	7000 (2052)		
	10 (-12.2)		8700 (2550)	8180 (2397)	7640 (2239)	7110 (2084)	6560 (1923)	6020 (1764)	5460 (1600)		
	5 (-15.0)		6970 (2043)	6500 (1905)	6030 (1767)	5530 (1621)	5040 (1477)	4540 (1331)	4020 (1178)		
0 (-17.8)		5390 (1580)	4970 (1457)	4540 (1331)	4100 (1202)	3640 (1067)	3170 (929)	2700 (791)			
TEHS020H2 Compressor Model H29B24U	45 (7.2)		28800 (8441)	27700 (8118)	26500 (7767)	25300 (7415)	24200 (7093)	23000 (6741)	21900 (6419)		
	40 (4.4)		26000 (7620)	24900 (7298)	23800 (6975)	22700 (6653)	21600 (6331)	20600 (6038)	19500 (5715)		
	35 (1.7)		23300 (6829)	22200 (6506)	21200 (6213)	20200 (5920)	19200 (5627)	18200 (5334)	17200 (5041)		
	30 (-1.1)		20600 (6038)	19700 (5774)	18700 (5481)	17800 (5217)	16800 (4924)	15900 (4660)	15000 (4396)		
	25 (-3.9)		18100 (5305)	17200 (5041)	16300 (4777)	15500 (4543)	14600 (4279)	13800 (4045)	12900 (3781)		
	20 (-6.7)		15600 (4572)	14800 (4338)	14000 (4103)	13300 (3898)	12500 (3664)	11800 (3458)	11000 (3224)		
	15 (-9.4)		13300 (3898)	12600 (3693)	11900 (3488)	11200 (3283)	10600 (3107)	9910 (2904)	9280 (2720)		
	10 (-12.2)		11100 (3253)	10500 (3077)	9920 (2907)	9330 (2734)	8780 (2573)	8240 (2415)	7730 (2266)		
	5 (-15.0)		9100 (2667)	8600 (2521)	8110 (2377)	7630 (2236)	7190 (2107)	6770 (1984)	6380 (1870)		
0 (-17.8)		7260 (2128)	6860 (2011)	6490 (1902)	6140 (1800)	5830 (1709)	5540 (1624)	5290 (1550)			
TEHS029H2 Compressor Model H29B35U	45 (7.2)		39900 (11694)	38400 (11254)	37000 (10844)	35500 (10404)	34100 (9994)	32600 (9555)	31200 (9144)		
	40 (4.4)		36500 (10698)	35100 (10287)	33700 (9877)	32400 (9496)	31000 (9086)	29700 (8705)	28300 (8294)		
	35 (1.7)		33100 (9701)	31800 (9320)	30600 (8968)	29300 (8587)	28000 (8206)	26800 (7855)	25500 (7474)		
	30 (-1.1)		29900 (8763)	28700 (8411)	27500 (8060)	26300 (7708)	25100 (7356)	24000 (7034)	22800 (6682)		
	25 (-3.9)		26700 (7825)	25600 (7503)	24500 (7181)	23400 (6858)	22300 (6536)	21300 (6243)	20200 (5920)		
	20 (-6.7)		23700 (6946)	22700 (6653)	21700 (6360)	20600 (6038)	19600 (5744)	18700 (5481)	17700 (5188)		
	15 (-9.4)		20800 (6096)	19800 (5803)	18900 (5539)	18000 (5275)	17100 (5012)	16200 (4748)	15300 (4484)		
	10 (-12.2)		18000 (5275)	17200 (5041)	16300 (4777)	15500 (4543)	14600 (4279)	13800 (4045)	13000 (3810)		
	5 (-15.0)		15400 (4513)	14600 (4279)	13800 (4045)	13100 (3839)	12300 (3605)	11600 (3400)	10900 (3195)		
0 (-17.8)		13000 (3810)	12300 (3605)	11500 (3370)	10800 (3165)	10100 (2960)	9470 (2775)	8850 (2594)			
TEHS035H2 Compressor Model H29A423	45 (7.2)		50200 (14713)	48400 (14185)	46600 (13658)	44800 (13130)	43100 (12632)	41300 (12104)	39600 (11606)		
	40 (4.4)		45400 (13306)	43700 (12808)	42100 (12339)	40400 (11841)	38900 (11401)	37300 (10932)	35700 (10463)		
	35 (1.7)		40800 (11958)	39300 (11518)	37800 (11079)	36300 (10639)	34800 (10199)	33400 (9789)	32000 (9379)		
	30 (-1.1)		36400 (10668)	35000 (10258)	33700 (9877)	32300 (9467)	31000 (9086)	29700 (8705)	28400 (8324)		
	25 (-3.9)		32300 (9467)	31000 (9086)	29800 (8734)	28600 (8382)	27400 (8030)	26300 (7708)	25100 (7356)		
	20 (-6.7)		28500 (8353)	27300 (8001)	26200 (7679)	25100 (7356)	24000 (7034)	23000 (6741)	22000 (6448)		
	15 (-9.4)		24900 (7298)	23800 (6975)	22800 (6682)	21900 (6419)	20900 (6125)	20000 (5862)	19100 (5598)		
	10 (-12.2)		21600 (6331)	20600 (6038)	19700 (5774)	18800 (5510)	18000 (5275)	17200 (5041)	16400 (4807)		
	5 (-15.0)		18600 (5451)	17700 (5188)	16900 (4953)	16100 (4719)	15400 (4513)	14600 (4279)	14000 (4103)		
0 (-17.8)		15900 (4660)	15100 (4426)	14300 (4191)	13600 (3986)	13000 (3810)	12300 (3605)	11700 (3429)			

CONDENSING UNIT MODEL	SATURATED SUCTION TEMPERATURE		AMBIENT TEMPERATURE ° F (° C)									
			80 (26.6)	85 (29.4)	90 (32.2)	95 (35)	100 (37.8)	105 (40.6)	110 (43.3)			
	° F	° C										
TEHS040H2 Compressor Model H23A543	45 (7.2)		60100 (17614)	57900 (16970)	55800 (16354)	53700 (15739)	51600 (15123)	49600 (14537)	47500 (13921)			
	40 (4.4)		54900 (16090)	52800 (15475)	50900 (14918)	49000 (14361)	47100 (13804)	45200 (13247)	43200 (12661)			
	35 (1.7)		49700 (14566)	47900 (14039)	46100 (13511)	44300 (12984)	42600 (12485)	40800 (11958)	39100 (11460)			
	30 (-1.1)		44800 (13130)	43000 (12603)	41400 (12134)	39800 (11665)	38200 (11196)	36600 (10727)	35100 (10287)			
	25 (-3.9)		40000 (11723)	38400 (11254)	36900 (10815)	35400 (10375)	34000 (9965)	32600 (9555)	31200 (9144)			
	20 (-6.7)		35400 (10375)	33900 (9936)	32500 (9525)	31200 (9144)	29900 (8763)	28700 (8411)	27400 (8030)			
	15 (-9.4)		31100 (9115)	29700 (8705)	28500 (8353)	27300 (8001)	26100 (7649)	25000 (7327)	23900 (7005)			
	10 (-12.2)		27000 (7913)	25800 (7562)	24600 (7210)	23600 (6917)	22600 (6624)	21600 (6331)	20600 (6038)			
	5 (-15.0)		23300 (6829)	22200 (6506)	21100 (6184)	20200 (5920)	19300 (5657)	18400 (5393)	17600 (5158)			
	0 (-17.8)		19900 (5832)	18900 (5539)	17900 (5246)	17100 (5012)	16300 (4777)	15600 (4572)	14800 (4338)			
TEHS050H2 Compressor Model H23A623	45 (7.2)		69700 (20428)	67100 (19666)	64700 (18962)	62400 (18288)	60200 (17644)	58000 (16999)	55800 (16354)			
	40 (4.4)		64000 (18757)	61600 (18054)	59400 (17409)	57300 (16794)	55300 (16208)	53400 (15651)	51300 (15035)			
	35 (1.7)		58300 (17087)	56100 (16442)	54100 (15856)	52200 (15299)	50400 (14771)	48600 (14244)	46800 (13716)			
	30 (-1.1)		52700 (15445)	50600 (14830)	48700 (14273)	47000 (13775)	45400 (13306)	43800 (12837)	42200 (12368)			
	25 (-3.9)		47100 (13804)	45200 (13247)	43500 (12749)	41900 (12280)	40500 (11870)	39100 (11460)	37600 (11020)			
	20 (-6.7)		41700 (12222)	39900 (11694)	38400 (11254)	37000 (10844)	35700 (10463)	34500 (10111)	33200 (9730)			
	15 (-9.4)		36500 (10698)	34900 (10229)	33500 (9818)	32200 (9437)	31100 (9115)	30000 (8792)	28900 (8470)			
	10 (-12.2)		31600 (9261)	30100 (8822)	28800 (8441)	27700 (8118)	26800 (7855)	25800 (7562)	24800 (7268)			
	5 (-15.0)		27100 (7943)	25700 (7532)	24500 (7181)	23600 (6917)	22700 (6653)	21900 (6419)	21000 (6155)			
	0 (-17.8)		23000 (6741)	21700 (6360)	20700 (6067)	19800 (5803)	19100 (5598)	18400 (5393)	17600 (5158)			

--- Outside Operating Range † Max 40°F RGT

CONDENSING UNIT MODEL	SATURATED SUCTION TEMPERATURE		AMBIENT TEMPERATURE °F (°C)							
	°F	°C	80 (26.6)	85 (29.4)	90 (32.2)	95 (35)	100 (37.8)	105 (40.6)	110 (43.3)	
	TEHD060H2 Compressor Model MT72	45 (7.2)	77400 (22685)	74800 (21923)	72200 (21161)	69600 (20399)	67000 (19637)	64400 (18875)	61900 (18142)	
40 (4.4)		70800 (20750)	68400 (20047)	66000 (19343)	63700 (18669)	61300 (17966)	59000 (17292)	56600 (16589)		
35 (1.7)		64500 (18904)	62300 (18259)	60100 (17614)	57900 (16970)	55800 (16354)	53700 (15739)	51600 (15123)		
30 (-1.1)		58400 (17116)	56400 (16530)	54400 (15944)	52400 (15358)	50500 (14801)	48600 (14244)	46700 (13687)		
25 (-3.9)		52600 (15416)	50700 (14859)	48900 (14332)	47100 (13804)	45400 (13306)	43700 (12808)	42000 (12309)		
20 (-6.7)		47100 (13804)	45400 (13306)	43700 (12808)	42100 (12339)	40500 (11870)	39000 (11430)	37500 (10991)		
15 (-9.4)	41800 (12251)	40300 (11811)	38800 (11372)	37300 (10932)	35800 (10492)	34500 (10111)	33100 (9701)			
TEHD075H2 Compressor Model MT100	45 (7.2)	107800 (31594)	103700 (30393)	99800 (29250)	95800 (28077)	91900 (26934)	88000 (25791)	84200 (24678)		
	40 (4.4)	98100 (28751)	94400 (27667)	90700 (26583)	87000 (25498)	83400 (24443)	79900 (23417)	76400 (22392)		
	35 (1.7)	88900 (26055)	85500 (25059)	82000 (24033)	78700 (23066)	75300 (22069)	72100 (21131)	68900 (20193)		
	30 (-1.1)	80200 (23505)	77000 (22567)	73900 (21659)	70700 (20721)	67700 (19842)	64700 (18962)	61800 (18113)		
	25 (-3.9)	72100 (21131)	69100 (20252)	66200 (19402)	63300 (18552)	60500 (17732)	57800 (16940)	55100 (16149)		
	20 (-6.7)	64500 (18904)	61700 (18083)	58900 (17263)	56300 (16501)	53700 (15739)	51200 (15006)	48800 (14302)		
15 (-9.4)	57400 (16823)	54800 (16061)	52200 (15299)	49700 (14566)	47300 (13863)	45000 (13189)	42800 (12544)			

--- Outside Operating Range † Max 40°F RGT

CONDENSING UNIT MODEL	SATURATED SUCTION TEMPERATURE		AMBIENT TEMPERATURE ° F ( ° C)							
	° F	° C	80 (26.6)	85 (29.4)	90 (32.2)	95 (35)	100 (37.8)	105 (40.6)	110 (43.3)	
TEHD015M6 Compressor Model MTZ18	35 (1.7)	21400 (6272)	20300 (5950)	19300 (5657)	18100 (5305)	16900 (4953)	15700 (4601)	14400 (4220)	13300 (3898)	
	30 (-1.1)	19600 (5744)	18700 (5481)	17700 (5188)	16700 (4894)	15600 (4572)	14400 (4220)	13300 (3898)	12200 (3576)	
	25 (-3.9)	17900 (5246)	17100 (5012)	16200 (4748)	15300 (4484)	14300 (4191)	13200 (3869)	12200 (3576)	11100 (3253)	
	20 (-6.7)	16200 (4748)	15500 (4543)	14700 (4308)	13900 (4074)	13000 (3810)	12100 (3546)	11100 (3253)	10000 (2931)	
	15 (-9.4)	14600 (4279)	14000 (4103)	13300 (3898)	12500 (3664)	11700 (3429)	10900 (3195)	10000 (2931)	8940 (2620)	
	10 (-12.2)	13100 (3839)	12500 (3664)	11900 (3488)	11200 (3283)	10500 (3077)	9740 (2855)	8940 (2620)	7900 (2315)	
	5 (-15.0)	11600 (3400)	11100 (3253)	10500 (3077)	9930 (2910)	9300 (2726)	8620 (2526)	7900 (2315)	6880 (2016)	
	0 (-17.8)	10200 (2989)	9710 (2846)	9230 (2705)	8700 (2550)	8140 (2386)	7530 (2207)	6880 (2016)	5880 (1723)	
	-5 (-20.6)	8820 (2585)	8430 (2471)	8000 (2345)	7530 (2207)	7020 (2057)	6480 (1899)	5880 (1723)	4910 (1439)	
	-10 (-23.3)	7570 (2219)	7210 (2113)	6840 (2005)	6410 (1879)	5950 (1744)	5450 (1597)	4910 (1439)		
TEHD020M6 Compressor Model MTZ22	35 (1.7)	24300 (7122)	23100 (6770)	21900 (6419)	20600 (6038)	19200 (5627)	17900 (5246)	16500 (4836)	15200 (4455)	
	30 (-1.1)	22300 (6536)	21200 (6213)	20100 (5891)	18900 (5539)	17700 (5188)	16400 (4807)	15200 (4455)	13900 (4074)	
	25 (-3.9)	20400 (5979)	19400 (5686)	18400 (5393)	17300 (5070)	16200 (4748)	15100 (4426)	13900 (4074)	12600 (3693)	
	20 (-6.7)	18500 (5422)	17600 (5158)	16700 (4894)	15700 (4601)	14700 (4308)	13700 (4015)	12600 (3693)	11400 (3341)	
	15 (-9.4)	16700 (4894)	15900 (4660)	15000 (4396)	14200 (4162)	13300 (3898)	12400 (3634)	11400 (3341)	10200 (2989)	
	10 (-12.2)	14900 (4367)	14200 (4162)	13500 (3957)	12700 (3722)	11900 (3488)	11100 (3253)	10200 (2989)	9020 (2644)	
	5 (-15.0)	13300 (3898)	12700 (3722)	12000 (3517)	11300 (3312)	10600 (3107)	9800 (2872)	9020 (2644)	7890 (2312)	
	0 (-17.8)	11700 (3429)	11200 (3283)	10500 (3077)	9910 (2904)	9260 (2714)	8580 (2515)	7890 (2312)	6780 (1987)	
	-5 (-20.6)	10300 (3019)	9750 (2858)	9200 (2696)	8620 (2526)	8030 (2353)	7410 (2172)	6780 (1987)	5720 (1676)	
	-10 (-23.3)	8960 (2626)	8450 (2477)	7940 (2327)	7400 (2169)	6860 (2011)	6300 (1846)	5720 (1676)		
TEHD025M6 Compressor Model MTZ28	35 (1.7)	29500 (8646)	28100 (8236)	26600 (7796)	25100 (7356)	23600 (6917)	22100 (6477)	20500 (6008)	18800 (5510)	
	30 (-1.1)	27000 (7913)	25600 (7503)	24300 (7122)	23000 (6741)	21600 (6331)	20200 (5920)	18800 (5510)	17100 (5012)	
	25 (-3.9)	24500 (7181)	23300 (6829)	22100 (6477)	20900 (6125)	19600 (5744)	18400 (5393)	17100 (5012)	15500 (4543)	
	20 (-6.7)	22200 (6506)	21100 (6184)	20000 (5862)	18900 (5539)	17800 (5217)	16600 (4865)	15500 (4543)	13900 (4074)	
	15 (-9.4)	20000 (5862)	19000 (5569)	18000 (5275)	17000 (4982)	15900 (4660)	14900 (4367)	13900 (4074)	12400 (3634)	
	10 (-12.2)	17900 (5246)	17000 (4982)	16100 (4719)	15200 (4455)	14200 (4162)	13300 (3898)	12400 (3634)	10900 (3195)	
	5 (-15.0)	15900 (4660)	15100 (4426)	14300 (4191)	13400 (3927)	12600 (3693)	11800 (3458)	10900 (3195)	9540 (2796)	
	0 (-17.8)	14100 (4132)	13300 (3898)	12600 (3693)	11800 (3458)	11100 (3253)	10300 (3019)	9540 (2796)	8230 (2412)	
	-5 (-20.6)	12500 (3664)	11700 (3429)	11000 (3224)	10300 (3019)	9610 (2817)	8910 (2611)	8230 (2412)	6990 (2049)	
	-10 (-23.3)	10900 (3195)	10200 (2989)	9580 (2808)	8900 (2608)	8250 (2418)	7610 (2230)	6990 (2049)		
TEHD030M6 Compressor Model MTZ36	35 (1.7)	38900 (11401)	37100 (10873)	35300 (10346)	33500 (9818)	31600 (9261)	29800 (8734)	27800 (8148)	25400 (7444)	
	30 (-1.1)	35500 (10404)	33900 (9936)	32200 (9437)	30500 (8939)	28900 (8470)	27100 (7943)	25400 (7444)	23000 (6741)	
	25 (-3.9)	32200 (9437)	30700 (8998)	29200 (8558)	27700 (8118)	26200 (7679)	24600 (7210)	23000 (6741)	20800 (6096)	
	20 (-6.7)	29100 (8529)	27800 (8143)	26400 (7737)	25000 (7327)	23600 (6917)	22200 (6506)	20800 (6096)	18600 (5451)	
	15 (-9.4)	26200 (7679)	24900 (7298)	23700 (6946)	22400 (6565)	21200 (6213)	19900 (5832)	18600 (5451)	16500 (4836)	
	10 (-12.2)	23500 (6887)	22300 (6536)	21200 (6213)	20000 (5862)	18800 (5510)	17700 (5188)	16500 (4836)	14600 (4279)	
	5 (-15.0)	20900 (6125)	19900 (5832)	18800 (5510)	17700 (5188)	16700 (4894)	15600 (4572)	14600 (4279)	12700 (3722)	
	0 (-17.8)	18600 (5451)	17600 (5158)	16600 (4865)	15600 (4572)	14600 (4279)	13700 (4015)	12700 (3722)	10900 (3195)	
	-5 (-20.6)	16400 (4807)	15500 (4543)	14500 (4250)	13600 (3986)	12700 (3722)	11800 (3458)	10900 (3195)	9280 (2720)	
	-10 (-23.3)	14500 (4250)	13600 (3986)	12700 (3722)	11800 (3458)	10900 (3195)	10100 (2960)	9280 (2720)		
TEHD035M6 Compressor Model MTZ44	35 (1.7)	48000 (14068)	45500 (13335)	43100 (12632)	40700 (11928)	38200 (11196)	35700 (10463)	33200 (9730)	30200 (8851)	
	30 (-1.1)	43700 (12808)	41500 (12163)	39300 (11518)	37000 (10844)	34800 (10199)	32500 (9525)	30200 (8851)	27300 (8001)	
	25 (-3.9)	39600 (11606)	37600 (11020)	35600 (10434)	33500 (9818)	31500 (9232)	29400 (8617)	27300 (8001)	24500 (7181)	
	20 (-6.7)	35800 (10492)	33900 (9936)	32000 (9379)	30200 (8851)	28300 (8294)	26400 (7737)	24500 (7181)	21800 (6389)	
	15 (-9.4)	32100 (9408)	30400 (8910)	28700 (8411)	27000 (7913)	25200 (7386)	23500 (6887)	21800 (6389)	19300 (5657)	
	10 (-12.2)	28700 (8411)	27100 (7943)	25500 (7474)	23900 (7005)	22400 (6565)	20800 (6096)	19300 (5657)	16800 (4924)	
	5 (-15.0)	25500 (7474)	24000 (7034)	22600 (6624)	21100 (6184)	19600 (5744)	18200 (5334)	16800 (4924)	14500 (4250)	
	0 (-17.8)	22600 (6624)	21200 (6213)	19800 (5803)	18400 (5393)	17100 (5012)	15800 (4631)	14500 (4250)	12300 (3605)	
	-5 (-20.6)	20000 (5862)	18600 (5451)	17300 (5070)	16000 (4689)	14700 (4308)	13500 (3957)	12300 (3605)	10300 (3019)	
	-10 (-23.3)	17600 (5158)	16300 (4777)	15000 (4396)	13700 (4015)	12600 (3693)	11400 (3341)	10300 (3019)		

--- Outside Operating Range † Max 40°F RGT

**R404 - MEDIUM TEMPERATURE**  
**CAPACITY BTU/H (WATTS)**

CONDENSING UNIT MODEL	SATURATED SUCTION TEMPERATURE		AMBIENT TEMPERATURE °F (°C)							
	°F	°C	80 (26.6)	85 (29.4)	90 (32.2)	95 (35)	100 (37.8)	105 (40.6)	110 (43.3)	
TEHD040M6 Compressor Model MTZ50	35	(1.7)	52800 (15475)	50200 (14713)	47500 (13921)	44800 (13130)	42100 (12339)	39400 (11547)	36600 (10727)	
	30	(-1.1)	48400 (14185)	46000 (13482)	43500 (12749)	41100 (12046)	38600 (11313)	36100 (10580)	33600 (9848)	
	25	(-3.9)	44200 (12954)	41900 (12280)	39700 (11635)	37400 (10961)	35200 (10317)	32900 (9642)	30600 (8968)	
	20	(-6.7)	40100 (11753)	38000 (11137)	36000 (10551)	33900 (9936)	31800 (9320)	29700 (8705)	27700 (8118)	
	15	(-9.4)	36200 (10610)	34300 (10053)	32400 (9496)	30500 (8939)	28600 (8382)	26700 (7825)	24800 (7268)	
	10	(-12.2)	32500 (9525)	30800 (9027)	29000 (8499)	27300 (8001)	25500 (7474)	23800 (6975)	22100 (6477)	
	5	(-15.0)	29100 (8529)	27400 (8030)	25800 (7562)	24200 (7093)	22600 (6624)	21000 (6155)	19500 (5715)	
	0	(-17.8)	25900 (7591)	24300 (7122)	22800 (6682)	21300 (6243)	19800 (5803)	18400 (5393)	17000 (4982)	
	-5	(-20.6)	23000 (6741)	21500 (6301)	20000 (5862)	18600 (5451)	17200 (5041)	15900 (4660)	14600 (4279)	
	-10	(-23.3)	20300 (5950)	18900 (5539)	17500 (5129)	16100 (4719)	14800 (4338)	13500 (3957)	12300 (3605)	
TEHD050M6 Compressor Model MTZ56	35	(1.7)	56500 (16559)	53700 (15739)	50800 (14889)	48000 (14068)	45100 (13248)	42100 (12339)	39200 (11489)	
	30	(-1.1)	52000 (15240)	49500 (14508)	46800 (13716)	44200 (12954)	41500 (12163)	38900 (11401)	36200 (10610)	
	25	(-3.9)	47700 (13980)	45300 (13277)	42900 (12573)	40500 (11870)	38100 (11166)	35600 (10434)	33200 (9730)	
	20	(-6.7)	43500 (12749)	41300 (12104)	39100 (11460)	36900 (10815)	34700 (10170)	32400 (9496)	30200 (8851)	
	15	(-9.4)	39400 (11547)	37400 (10961)	35400 (10375)	33400 (9789)	31300 (9174)	29300 (8587)	27200 (7972)	
	10	(-12.2)	35600 (10434)	33700 (9877)	31800 (9320)	29900 (8763)	28100 (8236)	26200 (7679)	24300 (7122)	
	5	(-15.0)	31900 (9349)	30100 (8822)	28400 (8324)	26600 (7796)	24900 (7298)	23200 (6800)	21500 (6301)	
	0	(-17.8)	28400 (8324)	26800 (7855)	25100 (7356)	23500 (6887)	21900 (6419)	20300 (5950)	18800 (5510)	
	-5	(-20.6)	25100 (7356)	23600 (6917)	22100 (6477)	20500 (6008)	19000 (5569)	17600 (5158)	16100 (4719)	
	-10	(-23.3)	22100 (6477)	20600 (6038)	19200 (5627)	17700 (5188)	16300 (4777)	14900 (4367)	13600 (3986)	
TEHD060M6 Compressor Model MTZ72	35	(1.7)	70600 (20692)	67200 (19695)	63800 (18699)	60300 (17673)	56800 (16647)	53300 (15621)	49700 (14566)	
	30	(-1.1)	65200 (19109)	62100 (18200)	58900 (17263)	55700 (16325)	52500 (15387)	49300 (14449)	45900 (13453)	
	25	(-3.9)	59900 (17556)	57100 (16735)	54200 (15885)	51200 (15006)	48300 (14156)	45300 (13277)	42300 (12397)	
	20	(-6.7)	54800 (16061)	52200 (15299)	49500 (14508)	46800 (13716)	44100 (12925)	41400 (12134)	38600 (11313)	
	15	(-9.4)	49900 (14625)	47500 (13921)	45000 (13189)	42600 (12485)	40100 (11753)	37600 (11020)	35000 (10258)	
	10	(-12.2)	45200 (13247)	43000 (12603)	40700 (11928)	38400 (11254)	36100 (10580)	33800 (9906)	31500 (9232)	
	5	(-15.0)	40800 (11958)	38700 (11342)	36600 (10727)	34500 (10111)	32400 (9496)	30200 (8851)	28100 (8236)	
	0	(-17.8)	36600 (10727)	34600 (10141)	32700 (9584)	30700 (8998)	28700 (8411)	26800 (7855)	24800 (7268)	
	-5	(-20.6)	32700 (9584)	30800 (9027)	29000 (8499)	27100 (7943)	25300 (7415)	23400 (6858)	21600 (6331)	
	-10	(-23.3)	29100 (8529)	27300 (8001)	25500 (7474)	23700 (6946)	22000 (6448)	20300 (5950)	18600 (5451)	
TEHD075M6 Compressor Model MTZ100	35	(1.7)	96100 (28165)	91200 (26729)	86300 (25293)	81300 (23828)	76300 (22362)	71300 (20897)	66200 (19402)	
	30	(-1.1)	88200 (25850)	83700 (24531)	79100 (23183)	74600 (21864)	70000 (20516)	65400 (19168)	60800 (17819)	
	25	(-3.9)	80500 (23593)	76300 (22362)	72100 (21131)	68000 (19930)	63800 (18699)	59600 (17468)	55400 (16237)	
	20	(-6.7)	73100 (21424)	69200 (20281)	65400 (19168)	61600 (18054)	57700 (16911)	53900 (15797)	50100 (14683)	
	15	(-9.4)	66000 (19343)	62500 (18318)	58900 (17263)	55400 (16237)	51900 (15211)	48400 (14185)	45000 (13189)	
	10	(-12.2)	59200 (17351)	56000 (16413)	52700 (15445)	49500 (14508)	46300 (13570)	43100 (12632)	40000 (11723)	
	5	(-15.0)	52900 (15504)	49900 (14625)	46800 (13716)	43900 (12866)	40900 (11987)	38000 (11137)	35100 (10287)	
	0	(-17.8)	47000 (13775)	44100 (12925)	41300 (12104)	38500 (11284)	35800 (10492)	33100 (9701)	30500 (8939)	
	-5	(-20.6)	41500 (12163)	38800 (11372)	36100 (10580)	33500 (9818)	30900 (9056)	28500 (8353)	26100 (7649)	
	-10	(-23.3)	36500 (10698)	33900 (9936)	31300 (9174)	28800 (8441)	26400 (7737)	24100 (7063)	21800 (6389)	

--- Outside Operating Range † Max 40°F RGT

CONDENSING UNIT MODEL	SATURATED SUCTION TEMPERATURE		AMBIENT TEMPERATURE ° F (° C)								
	° F	° C	80	85	90	95	100	105	110		
			(26.6)	(29.4)	(32.2)	(35)	(37.8)	(40.6)	(43.3)		
TEHD015L6 Compressor Model LTZ22	-5	(-20.6)	10100 (2960)	9480 (2778)	8840 (2591)	8200 (2403)	7590 (2225)	6980 (2046)	6410 (1879)		
	-10	(-23.3)	8980 (2632)	8390 (2459)	7810 (2289)	7250 (2125)	6700 (1964)	6160 (1805)	5660 (1659)		
	-15	(-26.1)	7890 (2312)	7360 (2157)	6850 (2008)	6340 (1858)	5860 (1717)	5400 (1583)	4950 (1451)		
	-20	(-28.9)	6880 (2016)	6410 (1879)	5940 (1741)	5500 (1612)	5070 (1486)	4660 (1366)	4280 (1254)		
	-25	(-31.7)	5940 (1741)	5520 (1618)	5110 (1498)	4710 (1380)	4340 (1272)	3980 (1166)	3650 (1070)		
	-30	(-34.4)	5100 (1495)	4710 (1380)	4350 (1275)	3990 (1169)	3650 (1070)	3350 (982)	3070 (900)		
	-35	(-37.2)	4340 (1272)	3990 (1169)	3650 (1070)	3340 (979)	3030 (888)	2760 (809)	2530 (742)		
	-40	(-40.0)	3660 (1073)	3340 (979)	3030 (888)	2740 (803)	2470 (724)	2240 (657)	2030 (595)		
TEHD025L6 Compressor Model LTZ28	-5	(-20.6)	15400 (4513)	14500 (4250)	13600 (3986)	12800 (3751)	11900 (3488)	11000 (3224)	10200 (2989)		
	-10	(-23.3)	13600 (3986)	12900 (3781)	12100 (3546)	11300 (3312)	10500 (3077)	9730 (2852)	8980 (2632)		
	-15	(-26.1)	12000 (3517)	11300 (3312)	10600 (3107)	9900 (2902)	9200 (2696)	8520 (2497)	7830 (2295)		
	-20	(-28.9)	10500 (3077)	9900 (2902)	9260 (2714)	8620 (2526)	7990 (2342)	7380 (2163)	6770 (1984)		
	-25	(-31.7)	9190 (2693)	8610 (2523)	8030 (2353)	7460 (2186)	6890 (2019)	6330 (1855)	5800 (1700)		
	-30	(-34.4)	7970 (2336)	7430 (2178)	6900 (2022)	6370 (1867)	5860 (1717)	5370 (1574)	4880 (1430)		
	-35	(-37.2)	6870 (2013)	6370 (1867)	5880 (1723)	5400 (1583)	4920 (1442)	4470 (1310)	4030 (1181)		
	-40	(-40.0)	5880 (1723)	5420 (1589)	4960 (1454)	4500 (1319)	4060 (1190)	3640 (1067)	3240 (950)		
TEHD030L6 Compressor Model LTZ40	-5	(-20.6)	21500 (6301)	20200 (5920)	19000 (5569)	17700 (5188)	16500 (4836)	15200 (4455)	14000 (4103)		
	-10	(-23.3)	19100 (5598)	18000 (5275)	16800 (4924)	15700 (4601)	14600 (4279)	13500 (3957)	12400 (3634)		
	-15	(-26.1)	16900 (4953)	15800 (4631)	14800 (4338)	13800 (4045)	12800 (3751)	11900 (3488)	10900 (3195)		
	-20	(-28.9)	14800 (4338)	13900 (4074)	13000 (3810)	12100 (3546)	11200 (3283)	10300 (3019)	9490 (2781)		
	-25	(-31.7)	12900 (3781)	12100 (3546)	11300 (3312)	10500 (3077)	9720 (2849)	8950 (2623)	8200 (2403)		
	-30	(-34.4)	11200 (3283)	10500 (3077)	9740 (2855)	9040 (2649)	8340 (2444)	7670 (2248)	7000 (2052)		
	-35	(-37.2)	9670 (2834)	9000 (2638)	8350 (2447)	7700 (2257)	7080 (2075)	6470 (1896)	5890 (1726)		
	-40	(-40.0)	8310 (2436)	7690 (2254)	7080 (2075)	6490 (1902)	5910 (1732)	5370 (1574)	4850 (1421)		
TEHD040L6 Compressor Model LTZ50	-5	(-20.6)	31200 (9144)	29500 (8646)	27800 (8148)	26100 (7649)	24400 (7151)	22700 (6653)	21000 (6155)		
	-10	(-23.3)	27800 (8148)	26300 (7708)	24700 (7239)	23200 (6800)	21700 (6360)	20100 (5891)	18600 (5451)		
	-15	(-26.1)	24500 (7181)	23200 (6800)	21800 (6389)	20500 (6008)	19100 (5598)	17700 (5188)	16400 (4807)		
	-20	(-28.9)	21600 (6331)	20400 (5979)	19200 (5627)	18000 (5275)	16700 (4894)	15500 (4543)	14300 (4191)		
	-25	(-31.7)	18900 (5539)	17800 (5217)	16700 (4894)	15600 (4572)	14600 (4279)	13500 (3957)	12400 (3634)		
	-30	(-34.4)	16400 (4807)	15500 (4543)	14500 (4250)	13500 (3957)	12500 (3664)	11600 (3400)	10600 (3107)		
	-35	(-37.2)	14200 (4162)	13300 (3898)	12400 (3634)	11500 (3370)	10600 (3107)	9780 (2866)	8900 (2608)		
	-40	(-40.0)	12200 (3576)	11400 (3341)	10600 (3107)	9740 (2855)	8930 (2617)	8120 (2380)	7320 (2145)		
TEHD065L6 Compressor Model LTZ88	-5	(-20.6)	48900 (14332)	46500 (13628)	44100 (12925)	41600 (12192)	39000 (11430)	36400 (10668)	33800 (9906)		
	-10	(-23.3)	42900 (12573)	40800 (11958)	38600 (11313)	36400 (10668)	34100 (9994)	31800 (9320)	29500 (8646)		
	-15	(-26.1)	37300 (10932)	35500 (10404)	33600 (9848)	31600 (9261)	29600 (8675)	27600 (8089)	25500 (7474)		
	-20	(-28.9)	32300 (9467)	30700 (8998)	29000 (8499)	27300 (8001)	25500 (7474)	23600 (6917)	21800 (6389)		
	-25	(-31.7)	27700 (8118)	26300 (7708)	24800 (7268)	23300 (6829)	21700 (6360)	20100 (5891)	18400 (5393)		
	-30	(-34.4)	23600 (6917)	22400 (6565)	21000 (6155)	19700 (5774)	18200 (5334)	16800 (4924)	15300 (4484)		
	-35	(-37.2)	20000 (5862)	18800 (5510)	17600 (5158)	16400 (4807)	15100 (4426)	13800 (4045)	12400 (3634)		
	-40	(-40.0)	16700 (4894)	15700 (4601)	14600 (4279)	13400 (3927)	12300 (3605)	11000 (3224)	9800 (2872)		
TEHD075L6 Compressor Model LTZ100	-5	(-20.6)	60400 (17702)	57300 (16794)	54200 (15885)	51000 (14947)	47800 (14009)	44500 (13042)	41100 (12046)		
	-10	(-23.3)	53700 (15739)	51000 (14947)	48100 (14097)	45300 (13277)	42400 (12427)	39400 (11547)	36400 (10668)		
	-15	(-26.1)	47500 (13921)	45000 (13189)	42500 (12456)	39900 (11694)	37300 (10932)	34700 (10170)	32000 (9379)		
	-20	(-28.9)	41700 (12222)	39500 (11577)	37200 (10903)	34900 (10229)	32600 (9555)	30200 (8851)	27800 (8148)		
	-25	(-31.7)	36500 (10698)	34400 (10082)	32400 (9496)	30300 (8880)	28200 (8265)	26000 (7620)	23800 (6975)		
	-30	(-34.4)	31600 (9261)	29800 (8734)	27900 (8177)	26000 (7620)	24000 (7034)	22000 (6448)	20100 (5891)		
	-35	(-37.2)	27200 (7972)	25500 (7474)	23700 (6946)	21900 (6419)	20100 (5891)	18300 (5363)	16500 (4836)		
	-40	(-40.0)	23200 (6800)	21500 (6301)	19900 (5832)	18200 (5334)	16500 (4836)	14800 (4338)	13100 (3839)		

--- Outside Operating Range † Max 40°F RGT

CONDENSING UNIT MODEL	COMPRESSOR MODEL NO.	POWER SUPPLY	COMPRESSOR		CONDENSER FAN MOTOR		UNIT		
			RLA	LRA	QTY	FLA	MCA	MOP	
TEHA005H2-*	-S1A	ART82C1-CAA	115/1/60	10.6	72.0	1	1.2	14.5	25
	-S2A	ART82C1-CAV	208-230/1/60	5.3	30.0	1	0.5	7.1	15
TEHA008H2-*	-S1A	RS64C2-CAA	115/1/60	11.9	59.0	1	1.2	16.1	25
	-S2A	RS64C2-CAV	208-230/1/60	6.9	37.0	1	0.5	9.1	15
TEHA010H2-*	-S1A	RS70C1-PAA	115/1/60	15.0	72.5	1	1.2	20.0	30
	-S2A	RS70C1-PFV	208-230/1/60	6.3	34.2	1	0.5	8.4	15
	-T3A	RS70C1-TFC	208-230/3/60	4.2	31.0	1	0.5	5.8	15
TEHA015H2-*	-S2A	CR18KQ-PFV	208-230/1/60	8.1	41.0	1	1.1	11.2	15
	-T3A	CR18KQ-TF5	208-230/3/60	5.4	49.0	1	1.1	7.9	15
TEHA020H2-*	-S2A	CR24KQ-PFV	208-230/1/60	12.2	70.5	1	1.1	16.3	25
	-T3A	CR24KQ-TF5	208-230/3/60	6.7	51.0	1	1.1	9.5	15
	-T4A	CR24KQ-TFD	460/3/60	3.3	25.0	1	0.6	4.8	15
TEHA025H2-*	-S2A	CR32KQ-PFV	208-230/1/60	15.3	83.0	1	1.1	20.2	35
	-T3A	CR32KQ-TF5	208-230/3/60	8.8	63.0	1	1.1	12.2	20
	-T4A	CR32KQ-TFD	460/3/60	4.6	32.0	1	0.6	6.3	15
TEHA029H2-*	-S2A	CR37KQ-PFV	208-230/1/60	16.7	100.0	1	1.1	21.9	35
	-T3A	CR37KQ-TF5	208-230/3/60	9.9	85.0	1	1.1	13.5	20
	-T4A	CR37KQ-TFD	460/3/60	5.0	39.0	1	0.6	6.9	15
TEHA030H2-*	-S2A	CR37KQ-PFV	208-230/1/60	16.7	100.0	1	2.1	22.9	35
	-T3A	CR37KQ-TF5	208-230/3/60	9.9	85.0	1	2.1	14.5	20
	-T4A	CR37KQ-TFD	460/3/60	5.0	39.0	1	1.1	7.4	15
TEHA035H2-*	-S2A	CR41KQ-PFV	208-230/1/60	17.4	109.6	1	2.1	23.9	40
	-T3A	CR41KQ-TF5	208-230/3/60	11.8	80.0	1	2.1	16.9	25
	-T4A	CR41KQ-TFD	460/3/60	5.3	42.0	1	1.1	7.7	15
	-T5A	CR42K6-TFE	575/3/60	4.7	39.0	1	0.9	6.8	15
TEHA040H2-*	-S2A	CR53KQ-PFV	208-230/1/60	26.0	140.0	1	2.1	34.6	60
	-T3A	CR53KQ-TF5	208-230/3/60	16.3	107.0	1	2.1	22.5	35
	-T4A	CR53KQ-TFD	460/3/60	8.1	55.0	1	1.1	11.3	15
TEHA050H2-*	-S2A	CRN5-0500-PFV	208-230/1/60	30.8	142.0	1	2.1	40.6	70
	-T3A	CRN5-0500-TF5	208-230/3/60	19.2	130.0	1	2.1	26.1	45
	-T4A	CRN5-0500-TFD	460/3/60	8.7	65.0	1	1.1	12.0	20
	-T5A	CRN5-0500-TFE	575/3/60	7.1	52.0	1	0.9	9.8	15

\* I = Indoor, H = Outdoor. Above listed RLA value is based on UL rating method and may differ from published compressor RLA data.



CONDENSING UNIT MODEL	COMPRESSOR MODEL NO.	POWER SUPPLY	COMPRESSOR		CONDENSER FAN MOTOR		UNIT		
			RLA	LRA	QTY	FLA	MCA	MOP	
TEHA006E6-*	-S1A	RS43C2E-CAA	115/1/60	9.1	51.0	1	1.2	12.6	20
	-S2A	RS43C2E-CAV	208-230/1/60	4.8	24.1	1	0.5	6.5	15
TEHA008E6-*	-S1A	RS55C2E-CAA	115/1/60	11.9	60.0	1	1.2	16.1	25
	-S2A	RS55C2E-CAV	208-230/1/60	5.4	40.0	1	0.5	7.3	15
TEHA009E6-*	-S1A	RS64C2E-CAA	115/1/60	10.9	59.0	1	1.2	14.8	25
	-S2A	RS64C2E-CAV	208-230/1/60	6.9	37.0	1	0.5	9.2	15
TEHA010E6-*	-S2A	RS70C1E-PFV	208-230/1/60	6.3	34.2	1	0.5	8.4	15
	-T3A	RS70C1E-TFC	208-230/3/60	4.2	31.0	1	0.5	5.8	15
TEHA015E6-*	-S2A	CS10K6E-PFV	208-230/1/60	9.8	56.0	1	1.1	13.4	20
	-T3A	CS10K6E-TF5	208-230/3/60	6.7	51.0	1	1.1	9.5	15
	-T4A	CS10K6E-TFD	460/3/60	3.2	25.0	1	0.6	4.6	15
TEHA020E6-*	-S2A	CS12K6E-PFV	208-230/1/60	9.8	56.0	1	1.1	13.4	20
	-T3A	CS12K6E-TF5	208-230/3/60	6.7	51.0	1	1.1	9.5	15
TEHA025E6-*	-S2A	CS14K6E-PFV	208-230/1/60	11.2	61.0	1	1.1	15.1	25
	-T3A	CS14K6E-TF5	208-230/3/60	8.2	55.0	1	1.1	11.4	15
	-T4A	CS14K6E-TFD	460/3/60	4.2	28.0	1	0.6	5.9	15
TEHA029E6-*	-S2A	CS18K6E-PFV	208-230/1/60	14.4	82.0	1	1.1	19.0	30
	-T3A	CS18K6E-TF5	208-230/3/60	7.9	65.5	1	1.1	11.0	15
	-T4A	CS18K6E-TFD	460/3/60	4.2	33.0	1	0.6	5.9	15
TEHA030E6-*	-S2A	CS18K6E-PFV	208-230/1/60	14.4	82.0	1	2.1	20.1	30
	-T3A	CS18K6E-TF5	208-230/3/60	7.9	65.5	1	2.1	12.0	15
	-T4A	CS18K6E-TFD	460/3/60	4.2	33.0	1	1.1	6.4	15
TEHA035E6-*	-S2A	CS20K6E-PFV	208-230/1/60	16.7	96.0	1	2.1	23.0	35
	-T3A	CS20K6E-TF5	208-230/3/60	10.2	75.0	1	2.1	14.9	25
	-T4A	CS20K6E-TFD	460/3/60	4.6	40.0	1	1.1	6.9	15
TEHA040E6-*	-S2A	CS27K6E-PFV	208-230/1/60	21.5	95.4	1	2.1	28.9	50
	-T3A	CS27K6E-TF5	208-230/3/60	14.0	82.0	1	2.1	19.6	30
	-T4A	CS27K6E-TFD	460/3/60	7.6	41.0	1	1.1	10.6	15
TEHA050E6-*	-S2A	CS33K6E-PFV	208-230/1/60	27.6	125.0	1	2.1	36.6	60
	-T3A	CS33K6E-TF5	208-230/3/60	16.8	102.0	1	2.1	23.1	35
	-T4A	CS33K6E-TFD	460/3/60	8.8	48.0	1	1.1	12.2	20
TEHA006L6-*	-S1A	AFT22C1E-IAA	115/1/60	8.3	55.0	1	1.2	11.6	15
	-S2A	AFT22C1E-CFV	208-230/1/60	3.3	32.5	1	0.5	4.7	15
TEHA008L6-*	-S1A	AFT26C1E-CFA	115/1/60	7.9	72.0	1	1.2	11.1	15
	-S2A	AFT26C1E-CFV	208-230/1/60	4.1	32.2	1	0.5	5.7	15
TEHA010L6-*	-S2A	CF04K6E-PFV	208-230/1/60	9.9	59.2	1	0.5	12.9	20
	-T3A	CF04K6E-TF5	208-230/3/60	6.1	52.0	1	0.5	8.1	15
TEHA020L6-*	-S2A	CF06K6E-PFV	208-230/1/60	10.3	59.2	1	0.5	13.3	20
	-T3A	CF06K6E-TF5	208-230/3/60	6.3	52.0	1	0.5	8.4	15
TEHA025L6-*	-S2A	CF09K6E-PFV	208-230/1/60	15.0	87.0	1	1.1	19.9	30
	-T3A	CF09K6E-TF5	208-230/3/60	9.2	72.2	1	1.1	12.6	20
	-T4A	CF09K6E-TFD	460/3/60	4.9	35.8	1	0.6	6.8	15
TEHA030L6-*	-S2A	CF12K6E-PFV	208-230/1/60	18.4	105.0	1	1.1	24.1	40
	-T3A	CF12K6E-TF5	208-230/3/60	11.0	85.0	1	1.1	14.9	25
	-T4A	CF12K6E-TFD	460/3/60	5.9	42.0	1	0.6	8.0	15

\* I = Indoor, H = Outdoor. Above listed RLA value is based on UL rating method and may differ from published compressor RLA data.

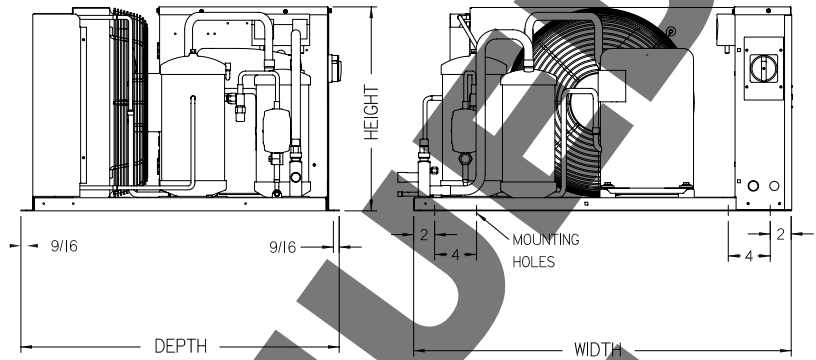
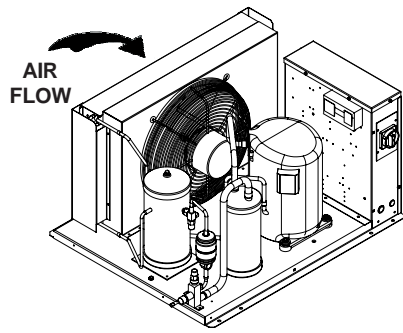
CONDENSING UNIT MODEL	COMPRESSOR MODEL NO.	POWER SUPPLY	COMPRESSOR		CONDENSER FAN MOTOR		UNIT	
			RLA	LRA	QTY	FLA	MCA	MOP
TEHS010H2- * -S2A	H29B14UABC	208-230/1/60	7.7	48.0	1	0.5	10.1	15
TEHS015H2- * -S2A	H29B18UABC	208-230/1/60	9.0	48.0	1	1.1	12.4	20
TEHS020H2- *	-S2A H29B24UABC	208-230/1/60	12.2	61.0	1	1.1	16.3	25
	-T3A H29B24UDBL	208-230/3/60	8.3	58.0	1	1.1	11.5	20
TEHS029H2- *	-S2A H29B35UABC	208-230/1/60	16.7	86.0	1	1.1	21.9	35
	-T3A H29B35UDBL	208-230/3/60	10.3	78.0	1	1.1	13.9	20
	-T4A H29B35UDBE	460/3/60	5.5	40.0	1	0.6	7.5	15
TEHS035H2- *	-S2A H23A423ABC	208-230/1/60	20.0	110.0	1	2.1	27.1	45
	-T3A H23A423DBL	208-230/3/60	12.8	78.0	1	2.1	18.1	30
	-T4A H23A423DBE	460/3/60	6.1	39.0	1	1.1	8.7	15
TEHS040H2- *	-S2A H23A543ABC	208-230/1/60	28.8	138.0	1	2.1	38.2	60
	-T3A H23A543DBL	208-230/3/60	17.3	106.0	1	2.1	23.7	40
	-T4A H23A543DBE	460/3/60	9.0	53.0	1	1.1	12.3	20
TEHS050H2- *	-S2A H23A623ABC	208-230/1/60	30.1	178.0	1	2.1	39.8	60
	-T3A H23A623DBL	208-230/3/60	20.5	124.0	1	2.1	27.7	45
	-T4A H23A623DBE	460/3/60	10.3	62.0	1	1.1	13.9	20

\* I = Indoor, H = Outdoor. Above listed RLA value is based on UL rating method and may differ from published compressor RLA data.

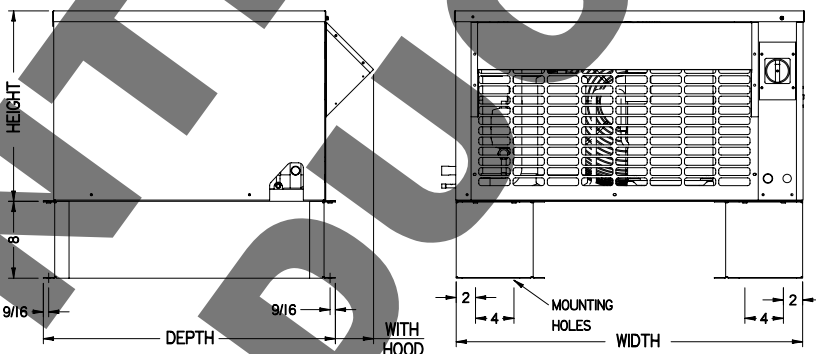
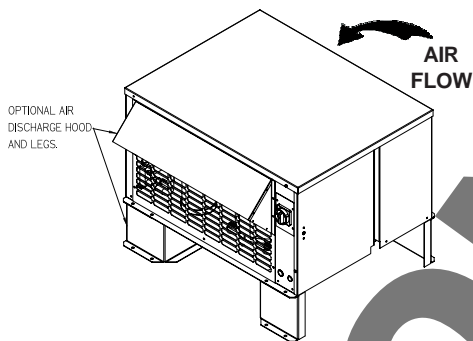
CONDENSING UNIT MODEL	COMPRESSOR MODEL NO.	POWER SUPPLY	COMPRESSOR		CONDENSER FAN MOTOR		UNIT		
			RLA	LRA	QTY	FLA	MCA	MOP	
TEHD015M6-*	-S2A	MTZ18-1VM	208-230/1/60	8.3	51.0	1	1.1	11.5	15
	-T3A	MTZ18-3VM	208-230/3/60	5.8	38.0	1	1.1	8.4	15
TEHD020M6-*	-S2A	MTZ22-1VM	208-230/1/60	10.9	49.3	1	1.1	14.7	25
	-T3A	MTZ22-3VM	208-230/3/60	7.1	38.0	1	1.1	9.9	15
	-T4A	MTZ22-4VM	460/3/60	3.8	16.0	1	0.6	5.4	15
	-T5A	MTZ22-7VM	575/3/60	2.9	16.0	1	0.5	4.1	15
TEHD025M6-*	-S2A	MTZ28-1VM	208-230/1/60	16.0	81.0	1	1.1	21.1	35
	-T3A	MTZ28-3VM	208-230/3/60	10.3	57.0	1	1.1	13.9	20
	-T4A	MTZ28-4VM	460/3/60	4.8	23.0	1	0.6	6.6	15
	-T5A	MTZ28-7VM	575/3/60	3.8	20.0	1	0.5	5.3	15
TEHD030M6-*	-S2A	MTZ36-1VM	208-230/1/60	19.2	84.0	1	2.1	26.1	45
	-T3A	MTZ36-3VM	208-230/3/60	10.9	74.0	1	2.1	15.7	25
	-T4A	MTZ36-4VM	460/3/60	5.8	30.0	1	1.1	8.4	15
	-T5A	MTZ36-7VM	575/3/60	4.5	26.0	1	0.9	6.7	15
TEHD035M6-*	-S2A	MTZ44-1VM	208-230/1/60	19.9	97.0	1	2.1	27.0	45
	-T3A	MTZ44-3VM	208-230/3/60	14.1	115.0	1	2.1	19.7	30
	-T4A	MTZ44-4VM	460/3/60	6.1	42.0	1	1.1	8.7	15
	-T5A	MTZ44-7VM	575/3/60	5.4	44.0	1	0.9	7.7	15
TEHD040M6-*	-S2A	MTZ50-1VM	208-230/1/60	23.1	114.0	1	2.1	30.9	50
	-T3A	MTZ50-3VM	208-230/3/60	16.0	115.0	1	2.1	22.1	35
	-T4A	MTZ50-4VM	460/3/60	7.7	42.0	1	1.1	10.7	15
	-T5A	MTZ50-7VM	575/3/60	6.4	44.0	1	0.9	8.9	15
TEHD050M6-*	-S2A	MTZ56-1VM	208-230/1/60	27.2	136.0	1	2.1	36.2	60
	-T3A	MTZ56-3VM	208-230/3/60	16.7	130.0	1	2.1	22.9	35
	-T4A	MTZ56-4VM	460/3/60	7.7	60.0	1	1.1	10.7	15
	-T5A	MTZ56-7VM	575/3/60	7.1	50.0	1	0.9	9.7	15
TEHD060M6-*	-T3A	MTZ72-3VM	208-230/3/60	19.9	135.0	1	2.1	27.0	45
	-T4A	MTZ72-4VM	460/3/60	9.9	80.0	1	1.1	13.5	20
TEHD075M6-*	-T3A	MTZ100-3VM	208-230/3/60	27.6	157.0	1	2.1	36.6	60
	-T4A	MTZ100-4VM	460/3/60	14.1	90.0	1	1.1	18.7	30
	-T5A	MTZ100-7VM	575/3/60	10.9	62.0	1	0.9	14.5	25
TEHD015L6-*	-S2A	LTZ22-1VM	208-230/1/60	10.9	49.3	1	0.5	14.1	25
	-T3A	LTZ22-3VM	208-230/3/60	7.1	38.0	1	0.5	9.3	15
TEHD025L6-*	-S2A	LTZ28-1VM	208-230/1/60	16.0	81.0	1	1.1	21.1	35
	-T3A	LTZ28-3VM	208-230/3/60	10.3	57.0	1	1.1	13.9	20
	-T4A	LTZ28-4VM	460/3/60	4.8	23.0	1	0.6	6.6	15
	-T5A	LTZ28-7VM	575/3/60	3.8	20.0	1	0.5	5.3	15
TEHD030L6-*	-S2A	LTZ40-1VM	208-230/1/60	19.9	97.0	1	1.1	26.0	45
	-T3A	LTZ40-3VM	208-230/3/60	14.1	115.0	1	1.1	18.7	30
	-T4A	LTZ40-4VM	460/3/60	5.8	42.0	1	0.6	7.8	15
	-T5A	LTZ40-7VM	575/3/60	6.4	44.0	1	0.5	8.5	15
TEHD040L6-*	-S2A	LTZ50-1VM	208-230/1/60	23.1	114.0	1	2.1	30.9	50
	-T3A	LTZ50-3VM	208-230/3/60	14.7	115.0	1	2.1	20.5	35
	-T4A	LTZ50-4VM	460/3/60	7.7	40.0	1	1.1	10.7	15
TEHD065L6-*	-T3A	LTZ88-3VM	208-230/3/60	27.6	157.0	1	2.1	36.6	60
	-T4A	LTZ88-4VM	460/3/60	14.1	90.0	1	1.1	18.7	30
TEHD075L6-*	-T3A	LTZ100-3VM	208-230/3/60	34.6	210.0	1	2.1	45.4	80
	-T4A	LTZ100-4VM	460/3/60	17.3	105.0	1	1.1	22.7	40
TEHD060H2-*	-T3A	MT72-3VM	208-230/3/60	19.9	135.0	1	2.1	27.0	45
	-T4A	MT72-4VM	460/3/60	9.9	80.0	1	1.1	13.5	20
TEHD075H2-*	-T3A	MT100-3VM	208-230/3/60	27.6	157.0	1	2.1	36.6	60
	-T4A	MT100-4VM	460/3/60	14.1	90.0	1	1.1	18.7	30
	-T5A	MT100-7VM	575/3/60	10.9	62.0	1	0.9	14.5	25

\* I = Indoor, H = Outdoor. Above listed RLA value is based on UL rating method and may differ from published compressor RLA data.

# DIMENSIONAL DATA (Models 005 to 030)



## INDOOR DIMENSIONS



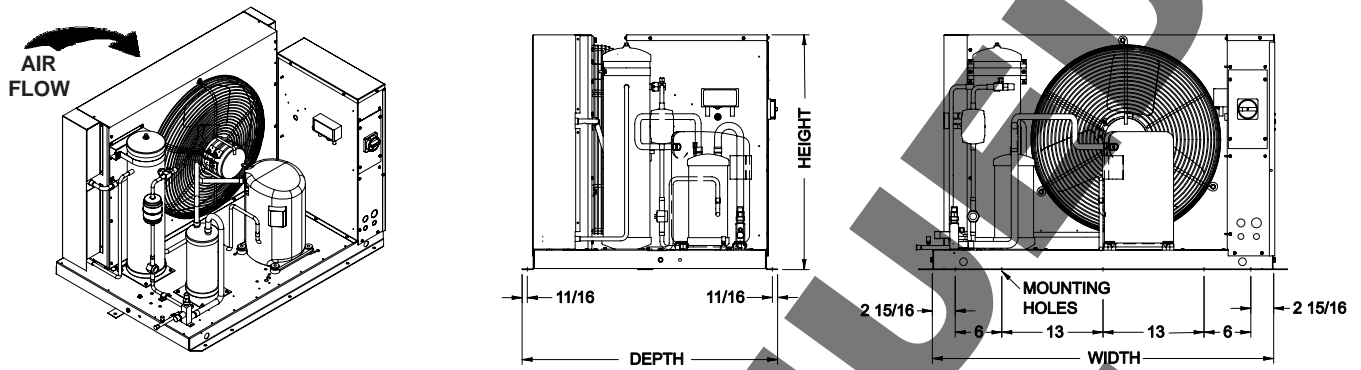
## OUTDOOR DIMENSIONS

CONDENSING UNIT MODEL	WIDTH		DEPTH				HEIGHT *	
			Base		With Hood			
	Inches	mm	Inches	mm	Inches	mm	Inches	mm
TEH A 005	24 7/8	632	30 3/8	772	34 3/8	873	16 7/8	429
TEH A 006	24 7/8	632	30 3/8	772	34 3/8	873	16 7/8	429
TEH A 008	24 7/8	632	30 3/8	772	34 3/8	873	16 7/8	429
TEH A 009	24 7/8	632	30 3/8	772	34 3/8	873	16 7/8	429
TEH A/S 010	24 7/8	632	30 3/8	772	34 3/8	873	16 7/8	429
TEH A/D 015 H2/ E6/M6	36 3/8	924	30 3/8	772	34 3/8	873	19 7/8	505
TEH D 015 L6	24 7/8	632	30 3/8	772	34 3/8	873	16 7/8	429
TEH A/S/D 020 H2/E6/M6	36 3/8	924	30 3/8	772	34 3/8	873	19 7/8	505
TEH A 020 L6	24 7/8	632	30 3/8	772	34 3/8	873	16 7/8	429
TEH A/D 025	36 3/8	924	30 3/8	772	34 3/8	873	19 7/8	505
TEH A/S 029H2	36 3/8	924	30 3/8	772	34 3/8	873	19 7/8	505
TEH A/D 030L6	36 3/8	924	30 3/8	772	34 3/8	873	19 7/8	505

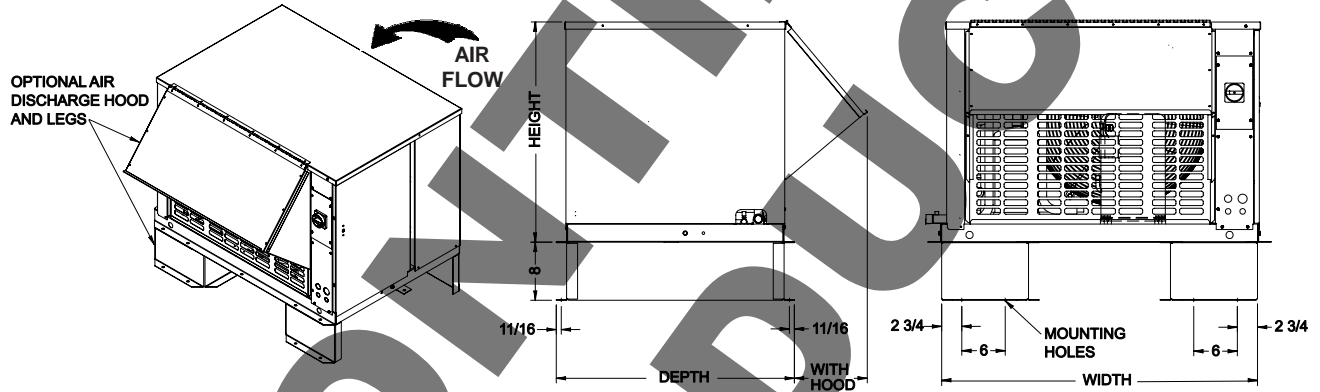
\* Note: Dimensions for indoor models may be smaller by up to 3/8" (10mm)

NOTE: Discharge hood and legs are optional components

## DIMENSIONAL DATA (Models 031 to 075)



### INDOOR DIMENSIONS



### OUTDOOR DIMENSIONS

CONDENSING UNIT MODEL	WIDTH		DEPTH				HEIGHT *	
			Base		With Hood			
	Inches	mm	Inches	mm	Inches	mm	Inches	mm
TEH A/S 030	47 3/8	1203	32 7/8	835	43	1092	30 3/8	772
TEH A/D 031	47 3/8	1203	32 7/8	835	43	1092	30 3/8	772
TEH A/S 035	47 3/8	1203	32 7/8	835	43	1092	30 3/8	772
TEH A/S 040	47 3/8	1203	32 7/8	835	43	1092	30 3/8	772
TEH A/S 050	47 3/8	1203	32 7/8	835	43	1092	30 3/8	772
TEH A/D 051	47 3/8	1203	32 7/8	835	43	1092	30 3/8	772
TEH D 060	47 3/8	1203	32 7/8	835	43	1092	30 3/8	772
TEH D 075	55 5/8	1413	35 7/8	911	50	1270	41 7/8	1064

\* Note: Dimensions for indoor models may be smaller by up to 3/8" (10mm)

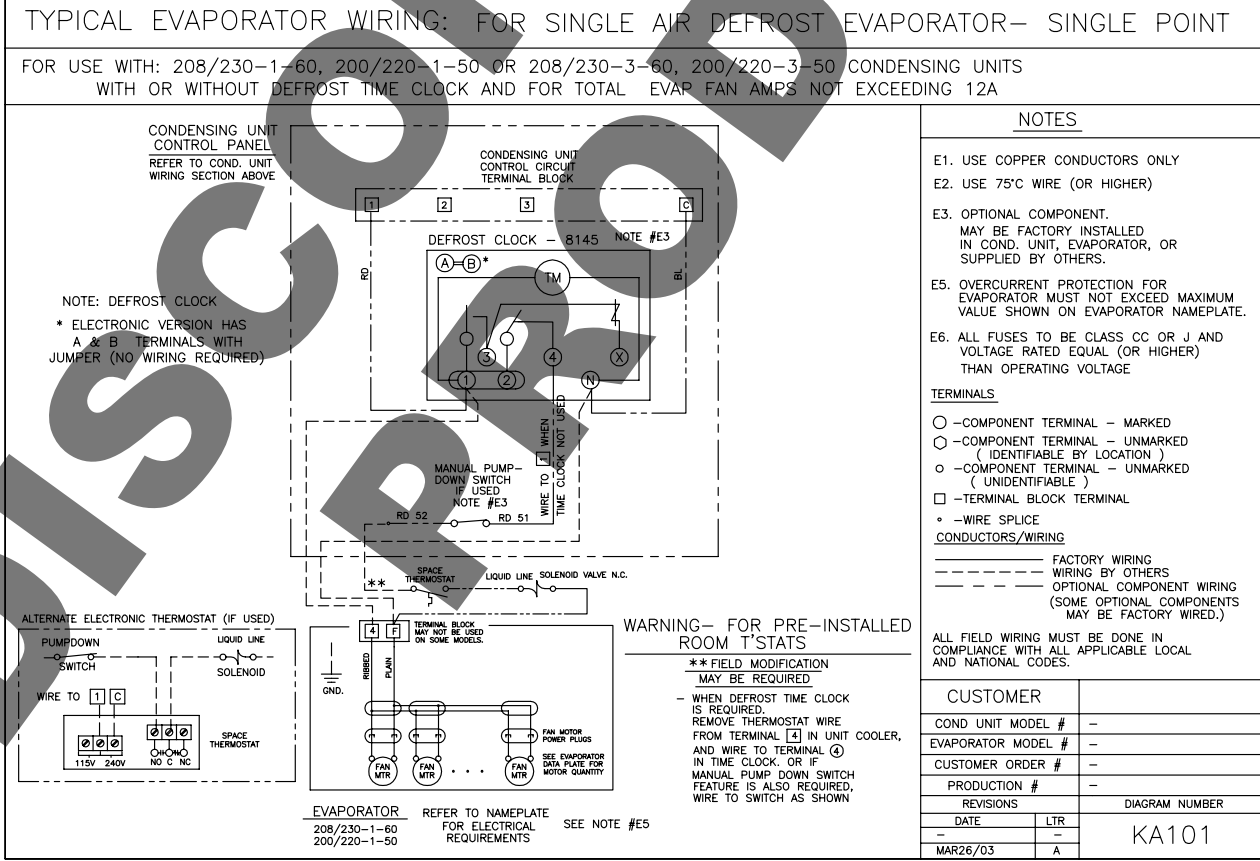
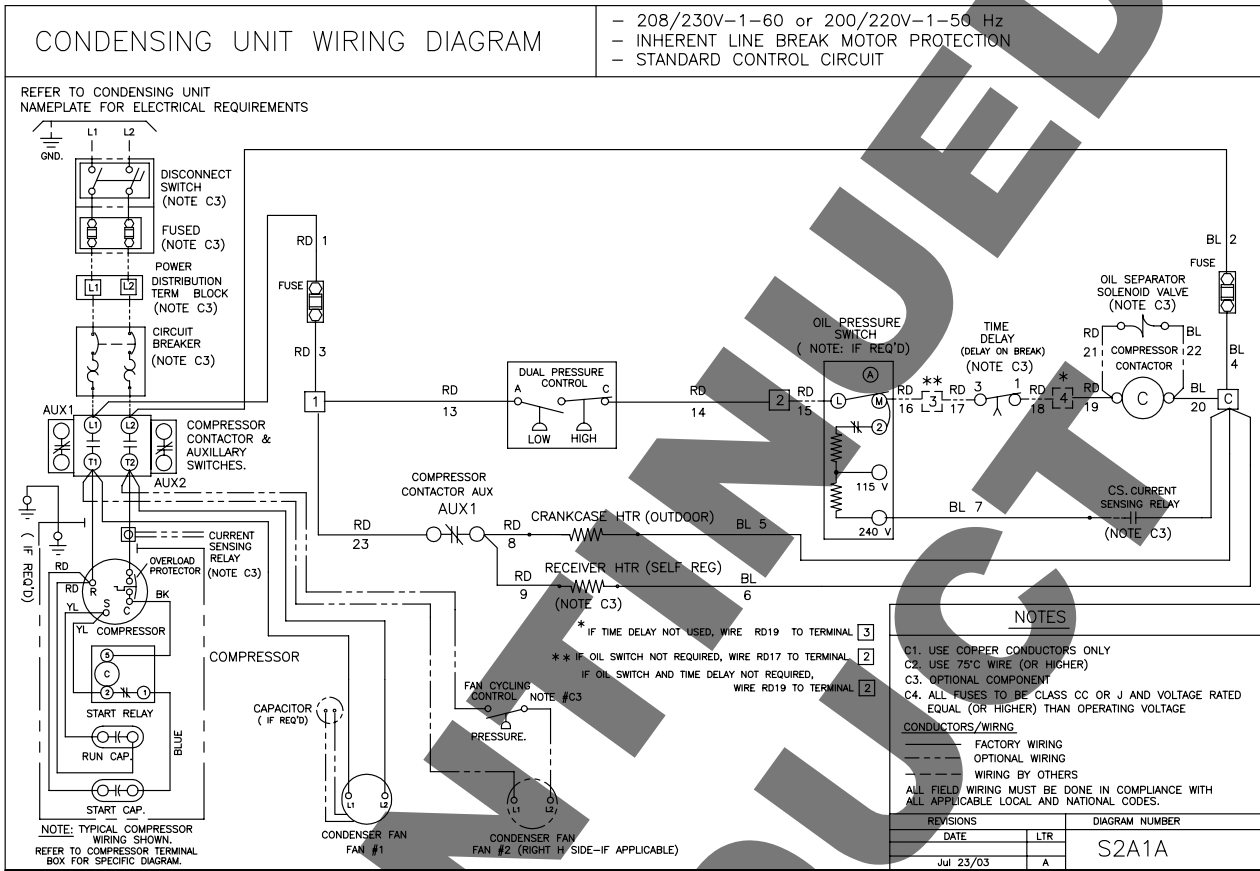
NOTE: Discharge hood and legs are optional components

# SPECIFICATIONS

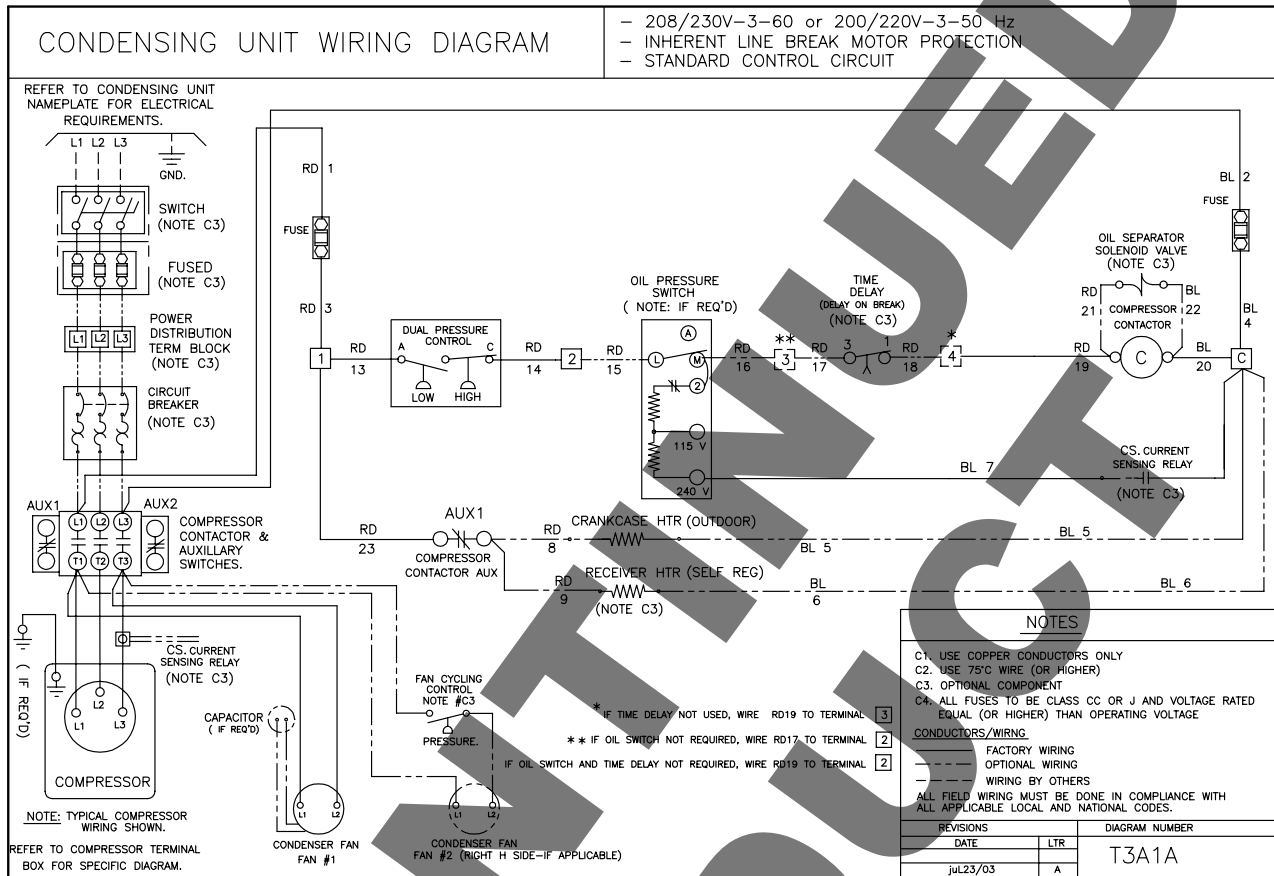
CONDENSING UNIT MODEL	UNIT CONNECTIONS				RECEIVER CAPACITY 90% FULL		APPROX. SHIPPING WEIGHT			
	SUCTION (OD)		LIQUID (OD)				OUTDOOR		INDOOR	
	Inches	mm	Inches	mm	Lbs.	Kgs	Lbs.	Kgs	Lbs.	Kgs
TEH A 005H2	1/2	13	3/8	10	6	2.72	141	64	119	54
TEH A 008H2	5/8	16	3/8	10	6.0	2.72	152	69	130	59
TEH A/S 010H2	5/8	16	3/8	10	6.0	2.72	167	76	145	66
TEH A 015H2	5/8	16	3/8	10	12.5	5.67	277	126	252	114
TEH A/S 020H2	5/8	16	3/8	10	12.5	5.67	282	128	257	117
TEH A 025H2	7/8	22	3/8	10	16.0	7.26	292	132	267	121
TEH A/S 029H2	7/8	22	1/2	13	16.0	7.26	298	135	273	124
TEH A/S 030H2	7/8	22	1/2	13	24.0	10.89	394	179	349	158
TEH A 035H2	7/8	22	1/2	13	24.0	10.89	394	179	349	158
TEH A/S 040H2	1 1/8	29	1/2	13	24.0	10.89	405	184	360	163
TEH A/S 050H2	1 1/8	29	1/2	13	24.0	10.89	415	188	370	168
TEH D 060H2	1 1/8	29	5/8	16	24.0	10.89	427	194	382	173
TEH D 075H2	1 1/8	29	5/8	16	34.5	15.65	577	262	517	235
TEH A 006E6	5/8	16	3/8	10	5.4	2.45	149	68	127	58
TEH A 008E6	5/8	16	3/8	10	5.4	2.45	149	68	127	58
TEH A 009E6	5/8	16	3/8	10	5.4	2.45	152	69	130	59
TEH A 010E6	5/8	16	3/8	10	5.4	2.45	167	76	145	66
TEH A/D 015 E6/M6	5/8	16	3/8	10	11.3	5.13	279	127	257	117
TEH A/D 020 E6/M6	5/8	16	3/8	10	11.3	5.13	282	128	255	116
TEH A/D 025 E6/M6	7/8	22	1/2	13	14.4	6.53	286	130	259	117
TEH A 029E6	7/8	22	1/2	13	14.4	6.53	292	132	265	120
TEH A/D 030 E6/M6	7/8	22	1/2	13	21.5	9.75	388	176	343	156
TEH A/D 035 E6/M6	7/8	22	1/2	13	21.5	9.75	389	176	344	156
TEH A/D 040 E6/M6	7/8	22	1/2	13	21.5	9.75	389	176	344	156
TEH A/D 050 E6/M6	7/8	22	1/2	13	21.5	9.75	398	181	353	160
TEH D 060M6	1 1/8	29	1/2	13	21.5	9.75	427	194	382	173
TEH D 075M6	1 1/8	29	5/8	16	31.0	14.06	577	262	517	235
TEH A 006L6	1/2	13	3/8	10	5.4	2.45	141	64	119	54
TEH A 010L6	5/8	16	3/8	10	5.4	2.45	165	64	165	75
TEH D 015L6	7/8	22	3/8	10	5.4	2.45	190	86	168	76
TEH A 020L6	7/8	22	3/8	10	5.4	2.45	194	88	172	78
TEH A/D 025L6	7/8	22	3/8	10	11.3	5.13	281	127	254	115
TEH A/D 030L6	7/8	22	1/2	13	14.4	6.53	292	132	265	120
TEH D 040L6	1 1/8	29	1/2	13	21.5	9.75	389	176	344	156
TEH D 065L6	1 1/8	29	1/2	13	21.5	9.75	427	194	382	173
TEH D075 L6	1 1/8	29	5/8	16	31.0	14.06	577	262	517	235

# TYPICAL SYSTEM WIRING DIAGRAM

208-230/1/60

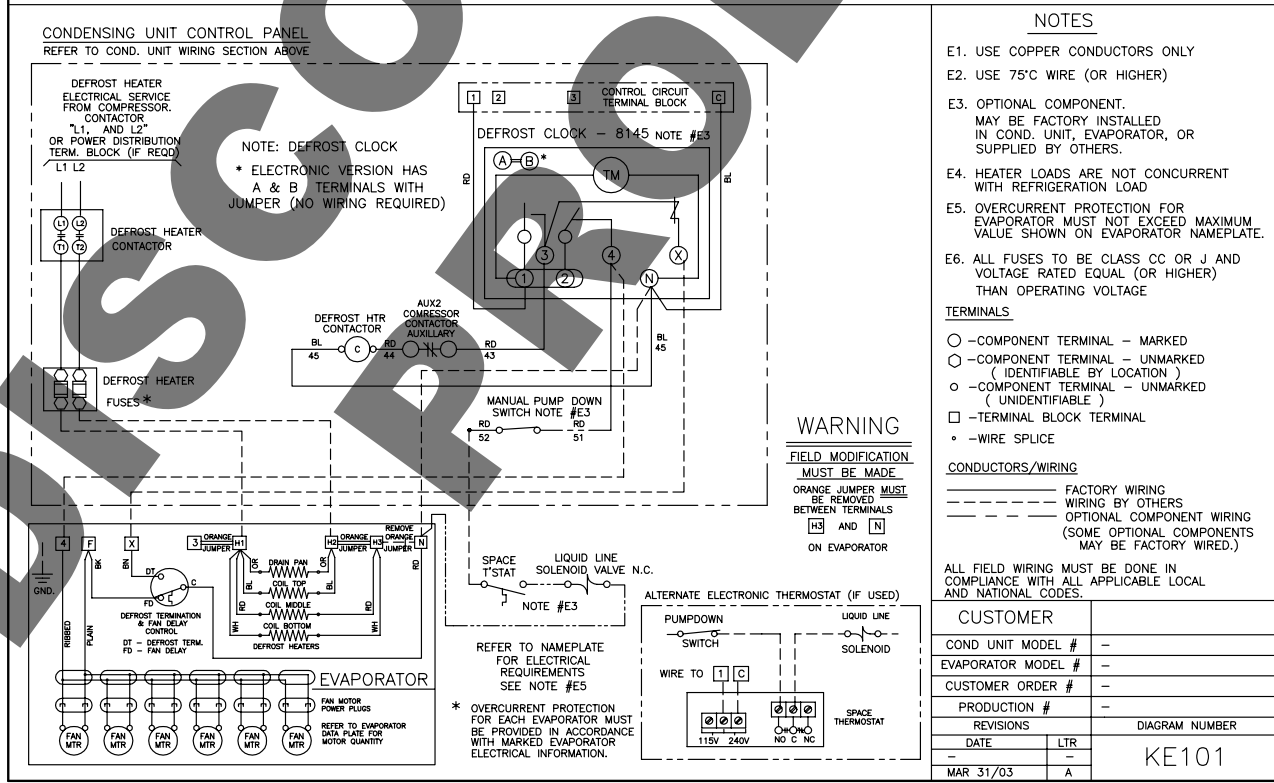


# TYPICAL SYSTEM WIRING DIAGRAM (208-230/3/60)



## TYPICAL EVAPORATOR WIRING: FOR SINGLE LOW PROFILE ELECT DEFROST EVAPORATOR- SINGLE POINT

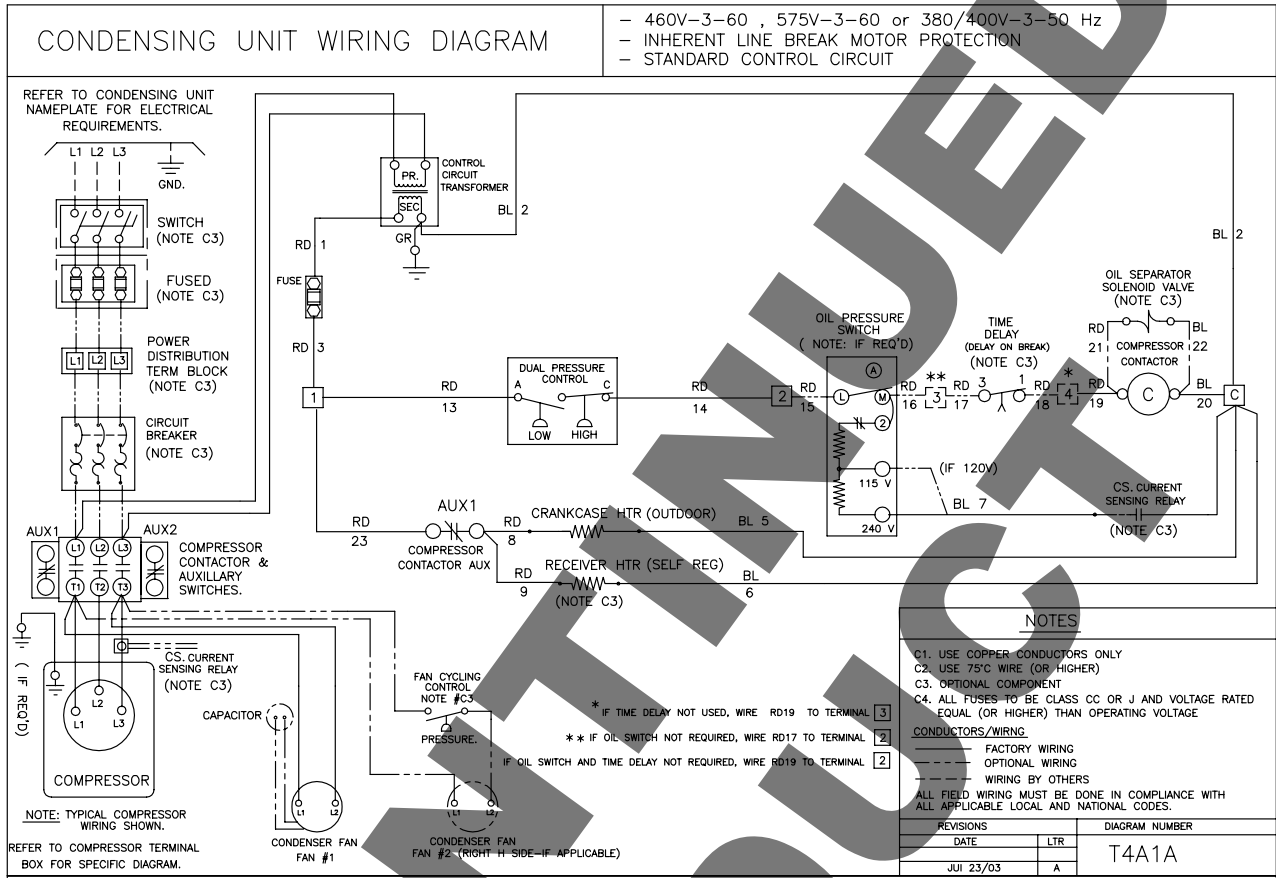
FOR USE WITH: 230V SINGLE OR THREE PHASE CONDENSING UNITS WITH DEFROST TIME CLOCK, AND DEFR. HTR. CONTACTOR.





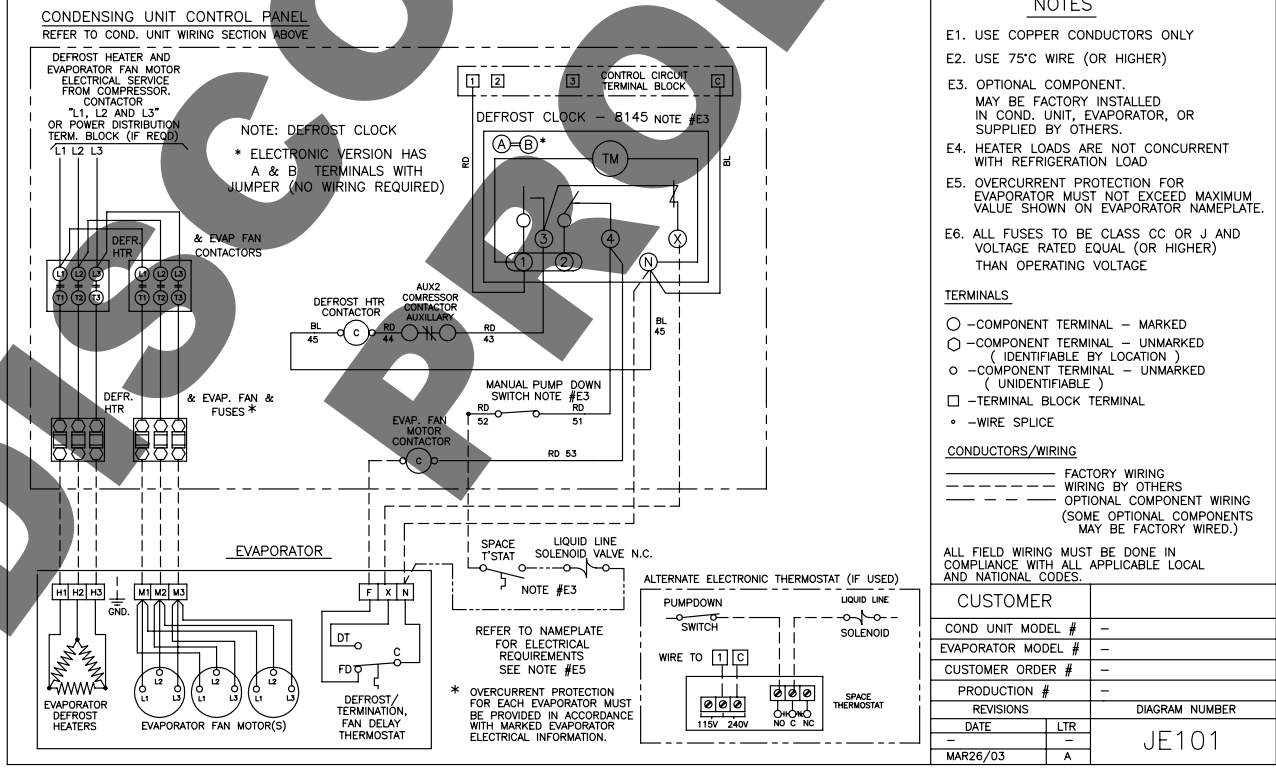
# TYPICAL SYSTEM WIRING DIAGRAM

## (460/3/60, 575/3/60)



### TYPICAL EVAPORATOR WIRING: FOR SINGLE MED PROFILE ELECT DEFROST EVAPORATOR- SINGLE POINT

FOR USE WITH: THREE PHASE CONDENSING UNITS WITH DEFROST TIME CLOCK, & EVAP FAN AND DEFR. HTR. CONTACTORS.



**DISCONTINUED  
PRODUCT**

NOTES

**DISCONTINUED  
PRODUCT**

DISCONTINUED PRODUCT

System	
Model Number	Date of Start-Up
Serial Number	Service Contractor
Refrigerant	Phone
Electrical Supply	Fax



**NATIONAL REFRIGERATION & AIR CONDITIONING CANADA CORP.**

159 Roy Blvd. • Brantford • Ontario, Canada N3T 5Y6

PHONE: (519) 751-0444 • 800-463-9517 • FAX (519) 753-1140



*Due to National Refrigeration's policy of continuous product improvement, we reserve the right to make changes without notice.*