



TPLP **New Generation "D"** Pre-Assembled Low Profile Evaporators

PRODUCT DATA & INSTALLATION

Bulletin T30-TPLPD-PDI-3E
Part #1109294

PRODUCT SUPPORT
 web: www.t-rp.com/tplp
 email: evaps@t-rp.com
 call: 1-844-893-3222 x520

scan:

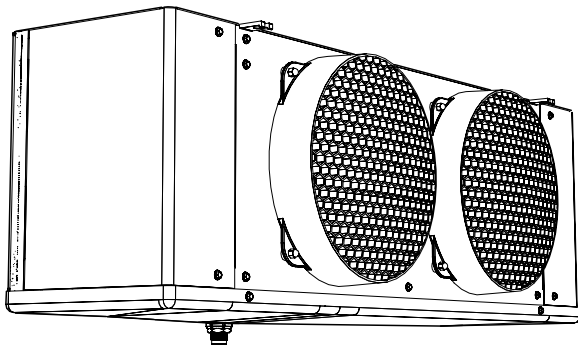
Air & Electric Defrost

Medium Temperature Applications: 35°F
 Low Temperature Applications: -10°F

Electrical: 115/1/60, 208-230/1/60, 208-230/3/60



**INCLUDES MODELS FOR DOE & NRCAN
AWEF-COMPLIANT APPLICATIONS**



SMARTSPEED™
FAN MOTOR TECHNOLOGY
STANDARD ON ALL MODELS

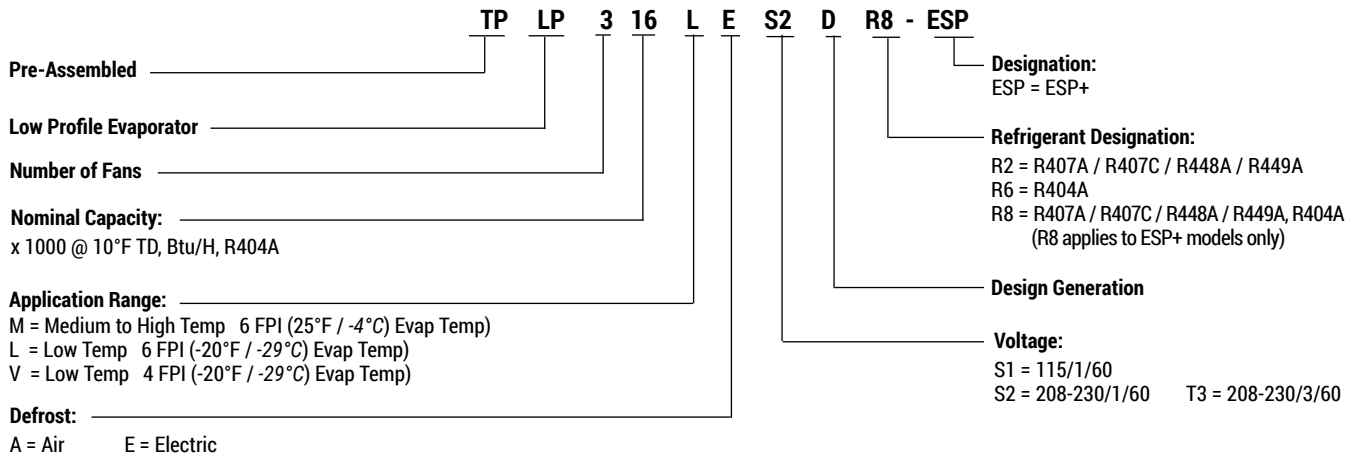
ESP+
 see page 12 for details

CONTENTS

	Page
Nomenclature.....	2
Standard Features (All Models).....	2
Available Configurations.....	3
Selection Data.....	4 - 6
Electrical Data.....	7 - 8
Navigating the Basic Menu.....	9
Wiring Diagrams - Models with standard SMARTSPEED™ EC Motors.....	10 - 12
Wiring Diagrams - Models with ESP+	13 - 18
Annual Walk-In Energy Factor (AWEF) Ratings.....	19
Dimensional Data/Specifications.....	20
Shipping Weights.....	21
Expansion Valve Selections - Electro-Mechanical Models.....	22
Expansion Valve Selections - Models with ESP+	23
Defrost Kit and Fuse Package Selections / Details	24 - 27
Installation Instructions.....	28 - 29
Project Information.....	30
Product Support Resources: Service Parts, Troubleshooting, Warranty, etc.....	31
"As Built" Service Parts.....	Back

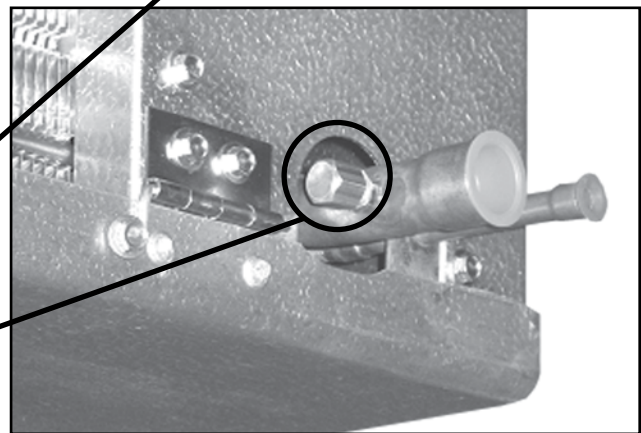
NOMENCLATURE

TPLP - PRE-ASSEMBLED EVAPORATORS



STANDARD FEATURES

- EC motors with patented SmartSpeed® Technology
- Compatible with Low GWP Refrigerants
- High efficiency and high strength fan guard
- Front access
- Internally enhanced tubing
- Convenient mounting brackets
- Ample electrical and header compartments
- Positive slope, hinged drain pan
- Centrally located, universal drain connection
- Large 3/4" ID (3/4" MPT) drain hole
- Schrader valve on suction header, located outside of cabinet



ESP+ (R8) MODELS

Include factory installed:

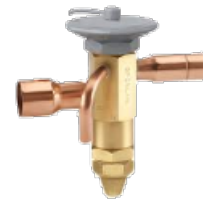
- ESP+ Adaptive Defrost Control
- ESP+ Remote Display
- EEV Electronic Expansion Valve
- Solenoid Valve



ELECTRO-MECHANICAL (R2 and R6) MODELS

Include factory installed:

- TX Valve
- Solenoid Valve
- Thermostat



R407A R407C R448A R449A

Medium Temperature - 6 FPI Models

Model TPLP	Qty. Fans	Evaporator Temperature Selection Capacity BTU/h			Air Flow		Refrig. Charge R407A **	
		20/25°F (-4/-7°C)	15°F (-9°C)	10°F (-12°C)	CFM	L/S	LB.	KG
104M	1	4310	4270	4220	750	350	0.7	0.3
106M		5910	5850	5790	705	330	1.1	0.5
107M		7000	6930	6860	680	320	1.5	0.7
209M	2	8700	8610	8530	1500	710	1.3	0.6
211M		11400	11300	11170	1410	670	1.4	0.6
214M		13700	13600	13430	1360	640	2.0	0.9
317M	3	16900	16700	16560	2115	1000	3.0	1.4
320M		20300	20100	19890	2040	960	4.0	1.8
422M	4	22400	22200	21950	2820	1330	3.3	1.5
427M		27000	26700	26460	2720	1280	3.9	1.8
534M	5	33700	33400	33030	3400	1600	6.5	2.9
640M	6	40400	40000	39590	4080	1930	7.8	3.5

- Capacities at other TD within a range of 8 to 15 °F (4.4 to 8.3°C) are directly proportional to TD, or use formula:

Capacity = Rated capacity ÷ 10 x TD.

** For R448A/R449A, use conversion factor 0.96

R404A R507

Medium Temperature - 6 FPI Models

Model TPLP	Qty. Fans	Evaporator Temperature Selection Capacity BTU/h			Air Flow		Refrig. Charge R404A R507	
		20/25°F (-4/-7°C)	15°F (-9°C)	10°F (-12°C)	CFM	L/S	LB.	KG
104M	1	4200	4160	4120	750	350	0.6	0.3
106M		5770	5710	5650	705	330	1.0	0.5
107M		6830	6760	6690	680	320	1.4	0.6
209M	2	8500	8420	8330	1500	710	1.2	0.5
211M		11100	10990	10880	1410	670	1.3	0.6
214M		13300	13200	13030	1360	640	1.8	0.8
317M	3	16600	16400	16270	2115	1000	2.8	1.3
320M		19800	19600	19400	2040	960	3.7	1.7
422M	4	21800	21600	21360	2820	1330	3.0	1.4
427M		26400	26100	25870	2720	1280	3.6	1.6
534M	5	32900	32600	32240	3400	1600	6.0	2.7
640M	6	39400	39000	38610	4080	1930	7.2	3.3

The above capacities were rated based on nominal 10 TD

Capacities at other TD within a range of 8 to 15 °F (4.4 to 8.3°C) are directly proportional to TD, or use formula:

Capacity = Rated capacity ÷ 10 x TD.

R407A R448A R449A

Low Temperature - 6 FPI Models

Model TPLP	Qty. Fans	Evaporator Temperature Selection Capacity BTU/h					Air Flow		Refrig. Charge R407A **	
		0°F (-18°C)	-10°F (-23°C)	-20°F (-29°C)	-30°F (-34°C)	-40°F (-40°C)	CFM	L/S	LB.	KG
104L	1	4310	4190	4070	3740	3460	750	350	0.7	0.3
105L		5190	5050	4900	4510	4170	705	330	1.1	0.5
106L		6710	6520	6330	5820	5380	680	320	1.5	0.7
207L	2	7590	7370	7160	6590	6090	1500	710	1.3	0.6
209L		9950	9670	9390	8640	7980	1410	670	1.4	0.6
211L		11980	11600	11300	10400	9610	1360	640	2.0	0.9
314L	3	14730	14300	13900	12800	11800	2115	1000	3.0	1.4
316L		17170	16700	16200	14900	13800	2040	960	4.0	1.8
418L	4	19500	19000	18400	16900	15600	2820	1330	3.3	1.5
421L		22470	21800	21200	19500	18000	2720	1280	3.9	1.8
526L	5	27670	26900	26100	24000	22200	3400	1600	6.5	2.9
631L	6	32970	32000	31100	28600	26400	4080	1930	7.8	3.5

- Capacities at other TD within a range of 8 to 15 °F (4.4 to 8.3°C) are directly proportional to TD, or use formula:

Capacity = Rated capacity ÷ 10 x TD.

** For R448A/R449A, use conversion factor 0.96

R404A R507

Low Temperature - 6 FPI Models

Model TPLP	Qty. Fans	Evaporator Temperature Selection Capacity BTU/h					Air Flow		Refrig. Charge R404A R507	
		0°F (-18°C)	-10°F (-23°C)	-20°F (-29°C)	-30°F (-34°C)	-40°F (-40°C)	CFM	L/S	LB.	KG
104L	1	4210	4090	3970	3650	3370	750	350	0.6	0.3
105L		5070	4920	4780	4400	4060	705	330	1.0	0.5
106L		6540	6360	6170	5680	5240	680	320	1.4	0.6
207L	2	7400	7190	6980	6420	5930	1500	710	1.2	0.5
209L		9710	9430	9160	8430	7790	1410	670	1.3	0.6
211L		11660	11330	11000	10120	9350	1360	640	1.8	0.8
314L	3	14420	14000	13600	12500	11560	2115	1000	2.8	1.3
316L		16750	16300	15800	14500	13430	2040	960	3.7	1.7
418L	4	18970	18400	17900	16500	15220	2820	1330	3.0	1.4
421L		21840	21200	20600	19000	17510	2720	1280	3.6	1.6
526L	5	27140	26400	25600	23600	21760	3400	1600	6.0	2.7
631L	6	32220	31300	30400	28000	25840	4080	1930	7.2	3.3

The above capacities were rated based on nominal 10 TD

Capacities at other TD within a range of 8 to 15 °F (4.4 to 8.3°C) are directly proportional to TD, or use formula:

Capacity = Rated capacity ÷ 10 x TD.

R407A R448A R449A

Low Temperature - 4 FPI Models

Model TPLP	Qty. Fans	Evaporator Temperature Selection Capacity BTU/h					Air Flow		Refrig. Charge R407A **	
		0°F (-18°C)	-10°F (-23°C)	-20°F (-29°C)	-30°F (-34°C)	-40°F (-40°C)	CFM	L/S	LB.	KG
103V	1	3880	3770	3660	3370	3110	750	350	0.7	0.3
104V		4610	4480	4350	4000	3700	705	330	1.1	0.5
106V		5880	5720	5550	5110	4720	680	320	1.5	0.7
207V	2	7070	6870	6670	6140	5670	1500	710	1.3	0.6
208V		8590	8340	8100	7450	6890	1410	670	1.4	0.6
211V		11200	10900	10600	9750	9010	1360	640	2.0	0.9
313V	3	13400	13000	12600	11600	10700	2115	1000	3.0	1.4
316V		16500	16100	15600	14400	13300	2040	960	4.0	1.8
418V	4	18800	18200	17700	16300	15000	2820	1330	3.3	1.5
421V		22300	21600	21000	19300	17900	2720	1280	3.9	1.8
524V	5	25300	24600	23900	22000	20300	3400	1600	6.5	2.9
627V	6	28400	27600	26800	24700	22800	4080	1930	7.8	3.5

- Capacities at other TD within a range of 8 to 15 °F (4.4 to 8.3°C) are directly proportional to TD, or use formula:

Capacity = Rated capacity ÷ 10 x TD.

** For R448A/R449A, use conversion factor 0.96

R404A R507

Low Temperature - 4 FPI Models

Model TPLP	Qty. Fans	Evaporator Temperature Selection Capacity BTU/h					Air Flow		Refrig. Charge R404A R507	
		0°F (-18°C)	-10°F (-23°C)	-20°F (-29°C)	-30°F (-34°C)	-40°F (-40°C)	CFM	L/S	LB.	KG
103V	1	3640	3530	3430	3160	2920	750	350	0.6	0.3
104V		4300	4180	4060	3740	3450	705	330	1.0	0.5
106V		5500	5350	5190	4770	4410	680	320	1.4	0.6
207V	2	6600	6420	6230	5730	5300	1500	710	1.2	0.5
208V		8020	7800	7570	6960	6430	1410	670	1.3	0.6
211V		10460	10170	9870	9080	8390	1360	640	1.8	0.8
313V	3	12400	12100	11700	10760	9950	2115	1000	2.8	1.3
316V		15370	14900	14500	13300	12330	2040	960	3.7	1.7
418V	4	17600	17100	16600	15300	14110	2820	1330	3.0	1.4
421V		20880	20300	19700	18100	16750	2720	1280	3.6	1.6
524V	5	23640	23000	22300	20500	18960	3400	1600	6.0	2.7
627V	6	26610	25900	25100	23100	21340	4080	1930	7.2	3.3

The above capacities were rated based on nominal 10 TD

Capacities at other TD within a range of 8 to 15 °F (4.4 to 8.3°C) are directly proportional to TD, or use formula:

Capacity = Rated capacity ÷ 10 x TD.

115/1/60: Air Defrost Models

Model TPLP	FPI	FAN MOTORS					
		Qty.	Standard SMARTSPEED [®] EC Motors				
			HP	FLA Total	Watts	MCA (A)	Max. Fuse (AMPS)
104MA-S1D	6	1	1/15	1.0	60	1.3	15
106MA-S1D		1	1/15	1.0	60	1.3	15
107MA-S1D		1	1/15	1.0	60	1.3	15
209MA-S1D		2	1/15	2.0	120	2.3	15
211MA-S1D		2	1/15	2.0	120	2.3	15
214MA-S1D		2	1/15	2.0	120	2.3	15
317MA-S1D		3	1/15	3.0	180	3.3	15
320MA-S1D		3	1/15	3.0	180	3.3	15
422MA-S1D		4	1/15	4.0	240	4.3	15
427MA-S1D		4	1/15	4.0	240	4.3	15
534MA-S1D		5	1/15	5.0	300	5.3	15
640MA-S1D		6	1/15	6.0	360	6.3	15

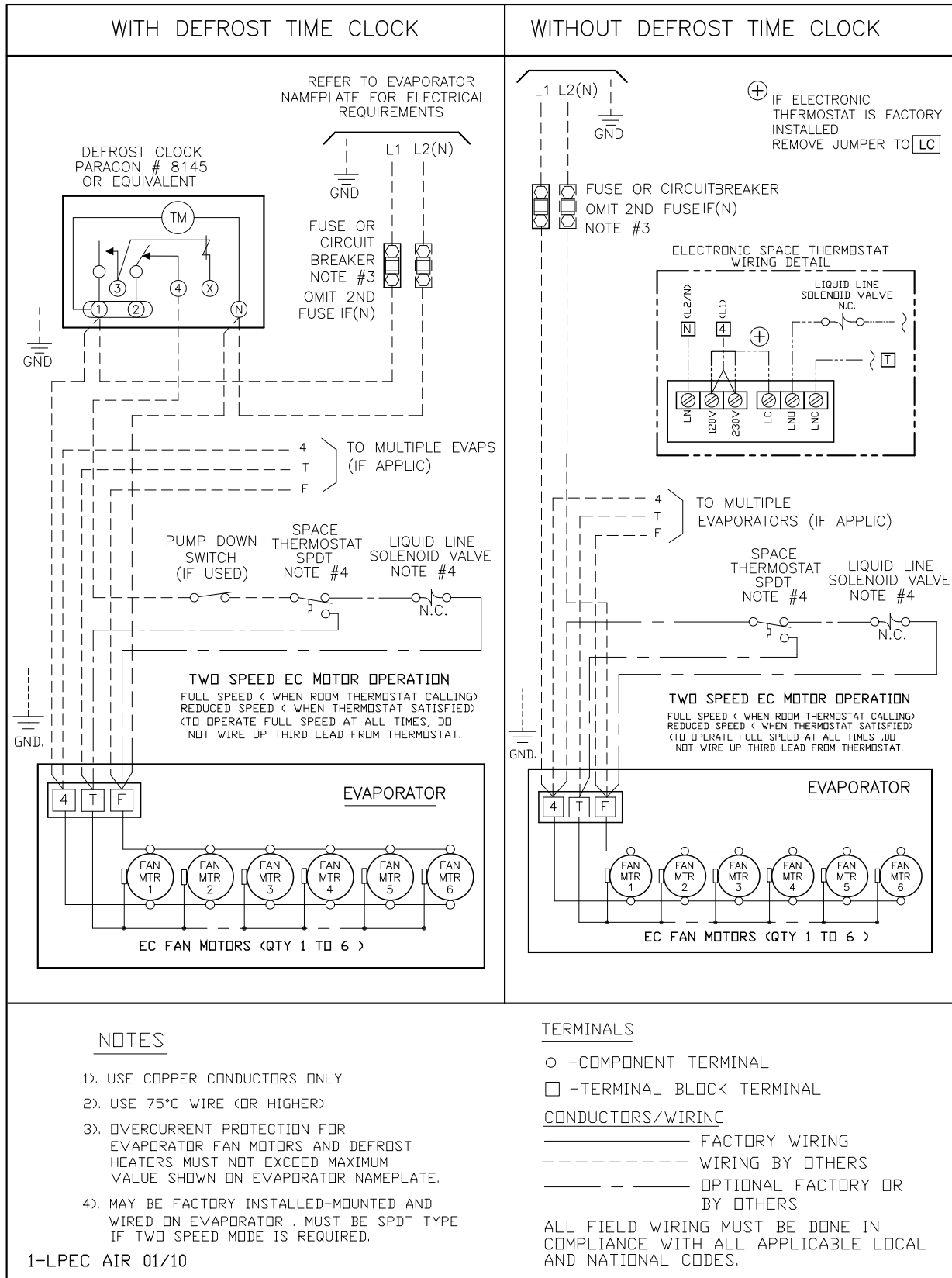
Model TPLP	FPI	FAN MOTORS					
		Qty.	Standard SMARTSPEED [®] EC Motors				
			HP	FLA Total	Watts	MCA (A)	Max. Fuse (AMPS)
104MA-S2D	6	1	1/15	0.6	60	0.8	15
106MA-S2D		1	1/15	0.6	60	0.8	15
107MA-S2D		1	1/15	0.6	60	0.8	15
209MA-S2D		2	1/15	1.2	120	1.4	15
211MA-S2D		2	1/15	1.2	120	1.4	15
214MA-S2D		2	1/15	1.2	120	1.4	15
317MA-S2D		3	1/15	1.8	180	2.0	15
320MA-S2D		3	1/15	1.8	180	2.0	15
422MA-S2D		4	1/15	2.4	240	2.6	15
427MA-S2D		4	1/15	2.4	240	2.6	15
534MA-S2D		5	1/15	3.0	300	3.2	15
640MA-S2D		6	1/15	3.6	360	3.8	15

208-230/1/60 & 208-230/3/60: Electric Defrost Models

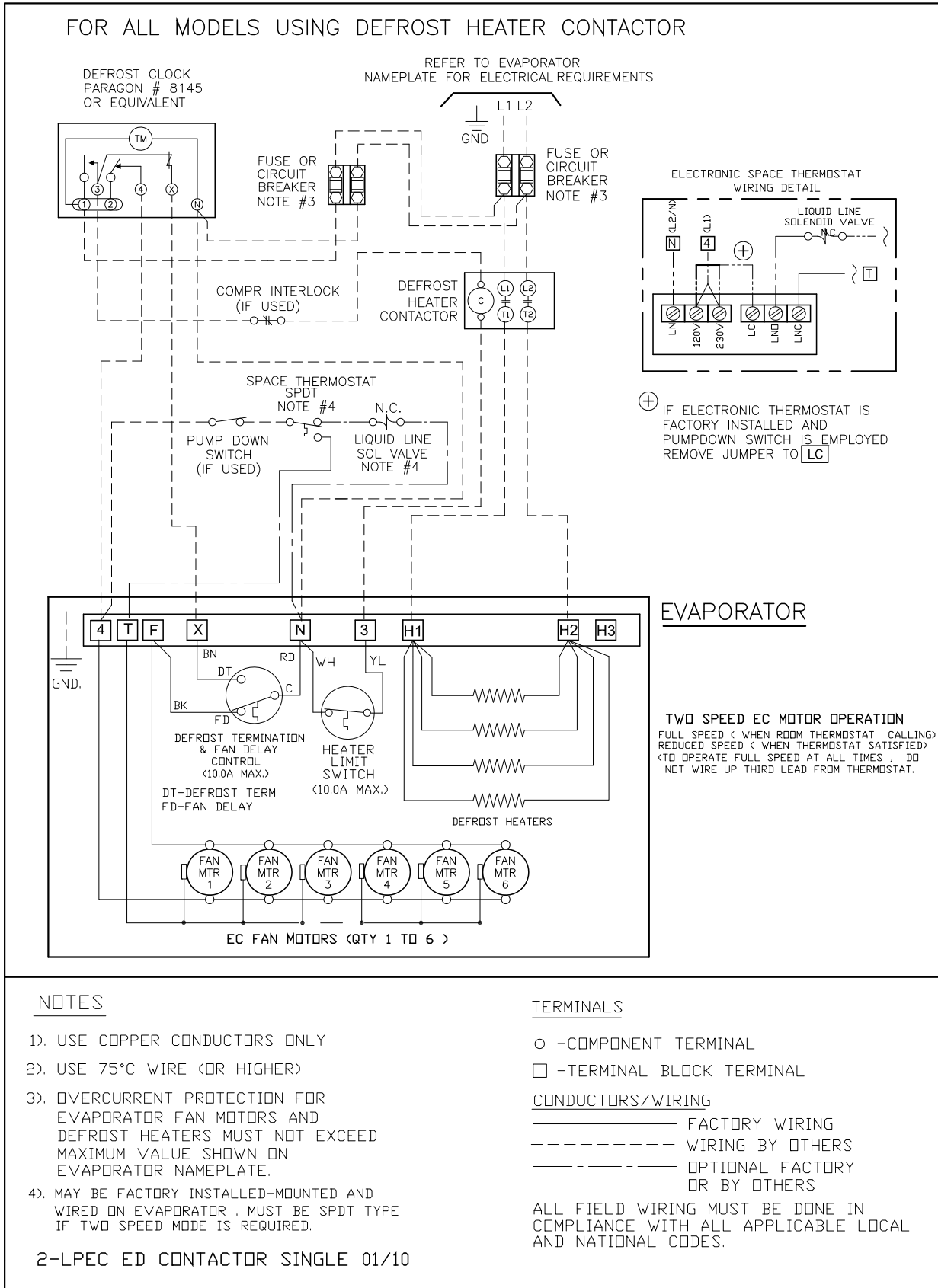
Model TLP	FPI	FAN MOTORS						DEFROST HEATERS							
		Qty.	Standard SMARTSPEED [®] EC Motors					Total WATTS	208-230/1/60			208-230/3/60			
			HP	FLA Total	Watts	MCA (A)	Max. Fuse (AMPS)		Total AMPS	MCA (A)	Max. Fuse (AMPS)	Total AMPS	MCA (A)	Max. Fuse (AMPS)	
104ME-*	6	1	1/15	0.6	60	0.8	15	1060	4.6	5.8	15	3.0	3.8	15	
106ME-*		1	1/15	0.6	60	0.8	15	1060	4.6	5.8	15	3.0	3.8	15	
107ME-*		1	1/15	0.6	60	0.8	15	1060	4.6	5.8	15	3.0	3.8	15	
209ME-*		2	1/15	1.2	120	1.4	15	1890	8.2	10.3	15	5.3	6.7	15	
211ME-*		2	1/15	1.2	120	1.4	15	1890	8.2	10.3	15	5.3	6.7	15	
214ME-*		2	1/15	1.2	120	1.4	15	1890	8.2	10.3	15	5.3	6.7	15	
317ME-*		3	1/15	1.8	180	2.0	15	2730	11.9	14.8	15	7.7	10.0	15	
320ME-*		3	1/15	1.8	180	2.0	15	2730	11.9	14.8	15	7.7	10.0	15	
422ME-*		4	1/15	2.4	240	2.6	15	3560	15.5	19.3	20	10.0	12.0	15	
427ME-*		4	1/15	2.4	240	2.6	15	3560	15.5	19.3	20	10.0	12.0	15	
534ME-*		5	1/15	3.0	300	3.2	15	4400	19.1	23.9	25	12.0	15.0	20	
640ME-*		6	1/15	3.6	360	3.8	15	5230	22.7	28.4	30	15.0	18.0	20	
104LE-*		6	1	1/15	0.6	60	0.8	15	1060	4.6	5.8	15	3.0	3.8	15
105LE-*			1	1/15	0.6	60	0.8	15	1060	4.6	5.8	15	3.0	3.8	15
106LE-*	1		1/15	0.6	60	0.8	15	1060	4.6	5.8	15	3.0	3.8	15	
207LE-*	2		1/15	1.2	120	1.4	15	1890	8.2	10.3	15	5.3	6.7	15	
209LE-*	2		1/15	1.2	120	1.4	15	1890	8.2	10.3	15	5.3	6.7	15	
211LE-*	2		1/15	1.2	120	1.4	15	1890	8.2	10.3	15	5.3	6.7	15	
314LE-*	3		1/15	1.8	180	2.0	15	2730	11.9	14.8	15	7.7	10.0	15	
316LE-*	3		1/15	1.8	180	2.0	15	2730	11.9	14.8	15	7.7	10.0	15	
418LE-*	4		1/15	2.4	240	2.6	15	3560	15.5	19.3	20	10.0	12.0	15	
421LE-*	4		1/15	2.4	240	2.6	15	3560	15.5	19.3	20	10.0	12.0	15	
526LE-*	5		1/15	3.0	300	3.2	15	4400	19.1	23.9	25	12.0	15.0	20	
631LE-*	6		1/15	3.6	360	3.8	15	5230	22.7	28.4	30	15.0	18.0	20	
103VE-*	4		1	1/15	0.6	60	0.8	15	1060	4.6	5.8	15	3.0	3.8	15
104VE-*			1	1/15	0.6	60	0.8	15	1060	4.6	5.8	15	3.0	3.8	15
106VE-*		1	1/15	0.6	60	0.8	15	1060	4.6	5.8	15	3.0	3.8	15	
207VE-*		2	1/15	1.2	120	1.4	15	1890	8.2	10.3	15	5.3	6.7	15	
208VE-*		2	1/15	1.2	120	1.4	15	1890	8.2	10.3	15	5.3	6.7	15	
211VE-*		2	1/15	1.2	120	1.4	15	1890	8.2	10.3	15	5.3	6.7	15	
313VE-*		3	1/15	1.8	180	2.0	15	2730	11.9	14.8	15	7.7	10.0	15	
316VE-*		3	1/15	1.8	180	2.0	15	2730	11.9	14.8	15	7.7	10.0	15	
418VE-*		4	1/15	2.4	240	2.6	15	3560	15.5	19.3	20	10.0	12.0	15	
421VE-*		4	1/15	2.4	240	2.6	15	3560	15.5	19.3	20	10.0	12.0	15	
524VE-*		5	1/15	3.0	300	3.2	15	4400	19.1	23.9	25	12.0	15.0	20	
627VE-*		6	1/15	3.6	360	3.8	15	5230	22.7	28.4	30	15.0	18.0	20	

* = S2 or T3. Refer to nomenclature for details.

115/1/60, 208-230/1/60: Air Defrost Models

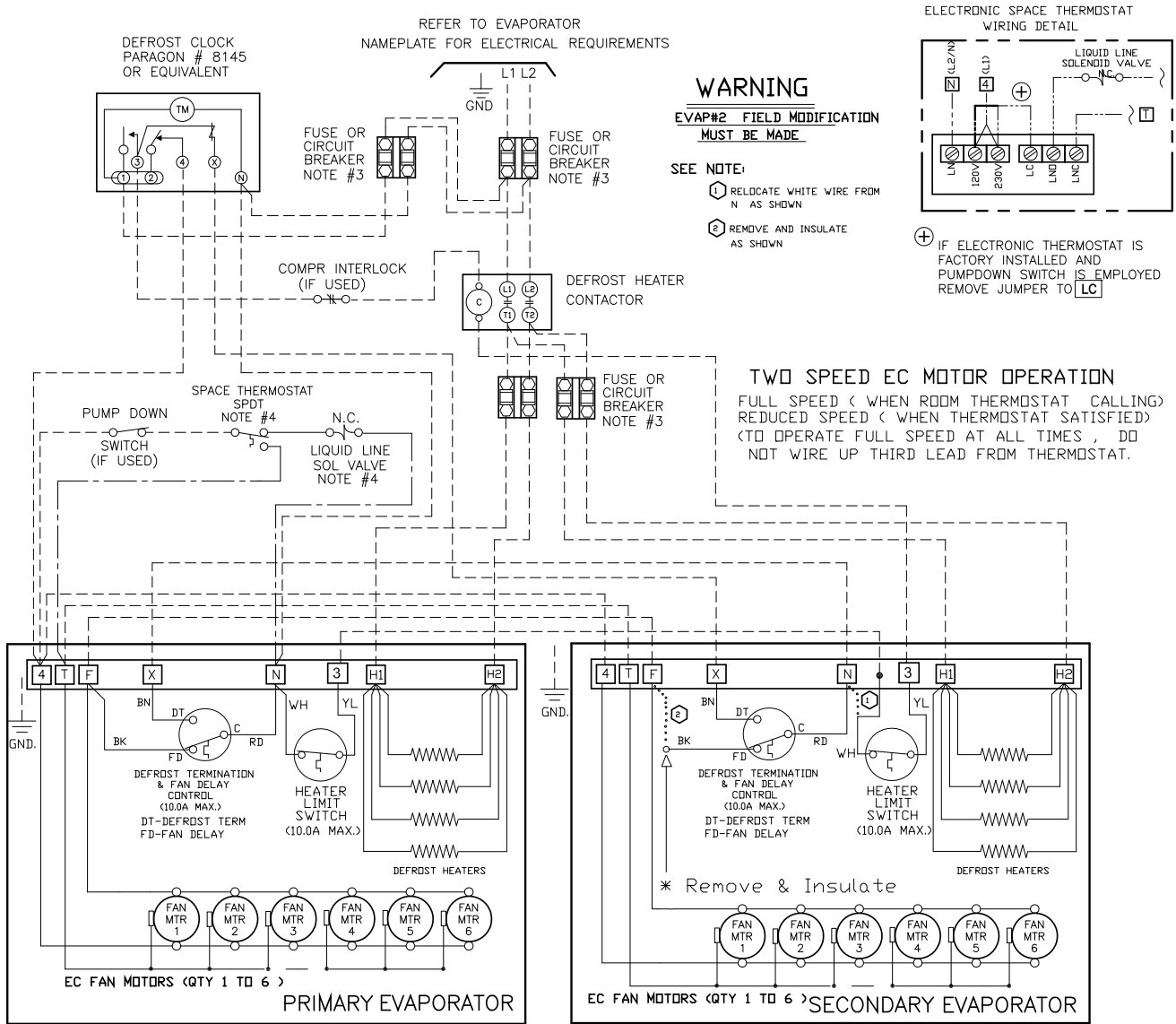


208-230/1/60: Electric Defrost Models



208-230/1/60: Electric Defrost Models with Multiple Evaporators

FOR ALL MODELS USING DEFROST HEATER CONTACTOR



* Fan delay not used on second evap / use fan contactor if total fan amps exceeds 10A

NOTES

- 1). USE COPPER CONDUCTORS ONLY
- 2). USE 75°C WIRE (OR HIGHER)
- 3). OVERCURRENT PROTECTION FOR EVAPORATOR FAN MOTORS AND DEFROST HEATERS MUST NOT EXCEED MAXIMUM VALUE SHOWN ON EVAPORATOR NAMEPLATE.
- 4). MAY BE FACTORY INSTALLED-MOUNTED AND WIRED ON EVAPORATOR . MUST BE SPDT TYPE IF TWO SPEED MODE IS REQUIRED.

3-LPEC ED CONTACTOR MULTI 01/10

TERMINALS

- -COMPONENT TERMINAL
- -TERMINAL BLOCK TERMINAL

CONDUCTORS/WIRING

- FACTORY WIRING
- WIRING BY OTHERS
- OPTIONAL FACTORY OR BY OTHERS

ALL FIELD WIRING MUST BE DONE IN COMPLIANCE WITH ALL APPLICABLE LOCAL AND NATIONAL CODES.

ESP+ INTUITIVE EVAPORATOR CONTROL TECHNOLOGY

What is ESP+?

Trenton Refrigeration's ESP+ intuitive evaporator control technology is designed to replace traditional electro-mechanical refrigeration controls typically used on medium and low temperature applications. By combining award winning adaptive technology along with an electronic expansion valve, Trenton Refrigeration continues Leading The Way with innovative, state-of-the-art designs.

Installing an evaporator utilizing the ESP+ intuitive evaporator control technology is simple. Two pipes, two wires and you're done. No interconnecting control wiring between the evaporator and the condensing unit is required.

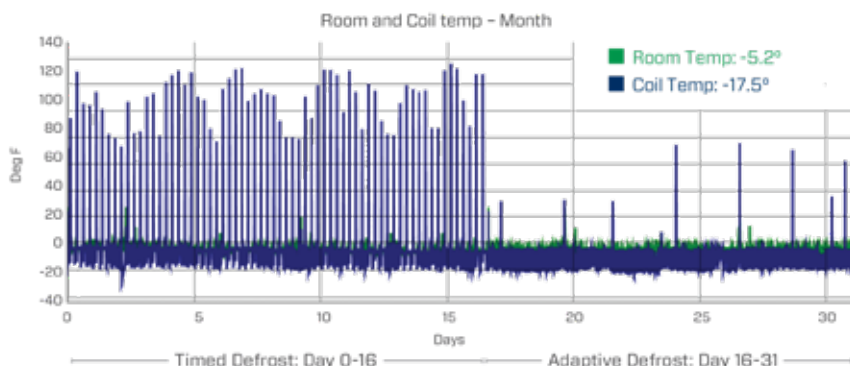
- Quick simple installation
- Improved evaporator performance by minimizing excessive frost on the evaporator
 - Eliminates ice build up on surfaces and product
 - Energy savings through evaporator fan management
 - Energy savings with reduction in the number of defrost cycles
 - Defrost heater management
- Improved system diagnostics and service through advanced alarm notification text/email
 - Remote monitoring & system control
 - User friendly interface
 - Precise temperature control for prolonged product shelf life
 - Improved product integrity with less potential for spoilage
 - Downloadable data provides system history for prior 30 days
- Remotely view and change system parameters and alarm settings
 - Manually control system
 - Easily troubleshoot issues

ESP+ controls:

- Box Temperature
- Superheat
- Liquid Line Solenoid
- Defrost Initiation
- Defrost Termination
- Fan Motors
- Defrost Heater (Electric Defrost Models)

Plus - User can access operating data directly from the system interface

15-20% System Energy Savings over a Properly Commissioned System!



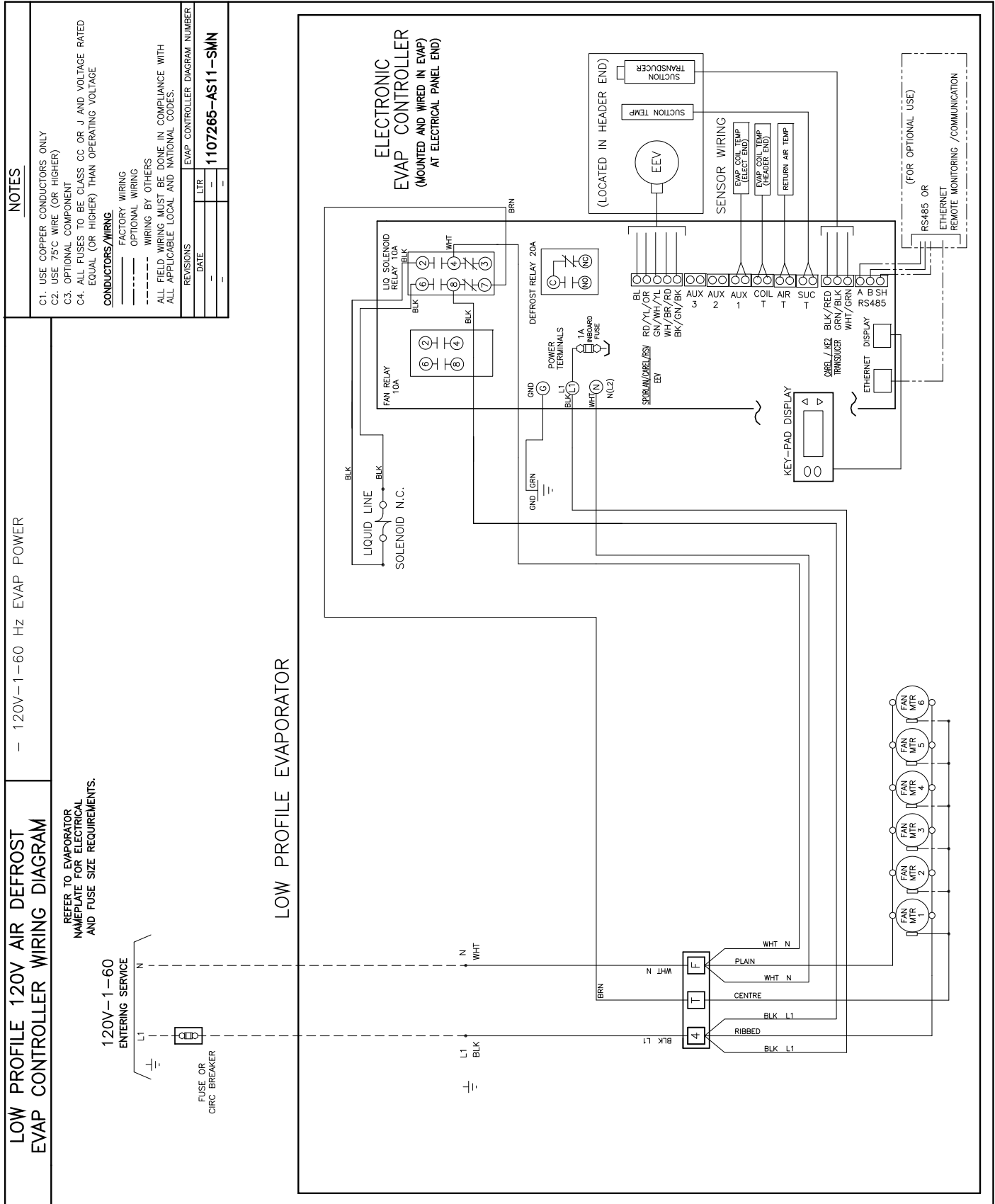
86% Fewer Defrost Cycles*

- Enhanced system performance
- Energy Savings
- Improved product integrity

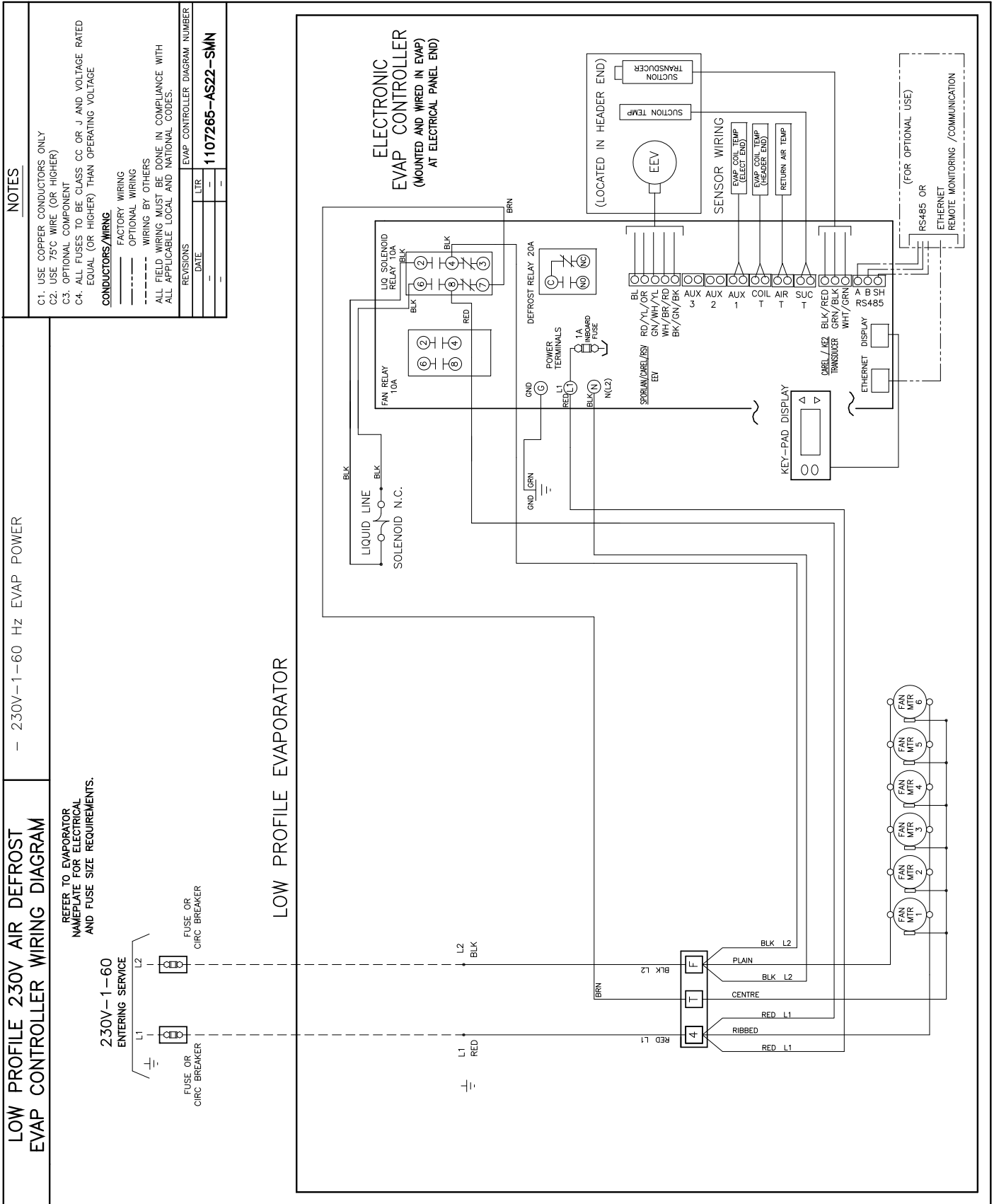
* Data may vary depending on application

Visit www.t-rp.com/esp for details

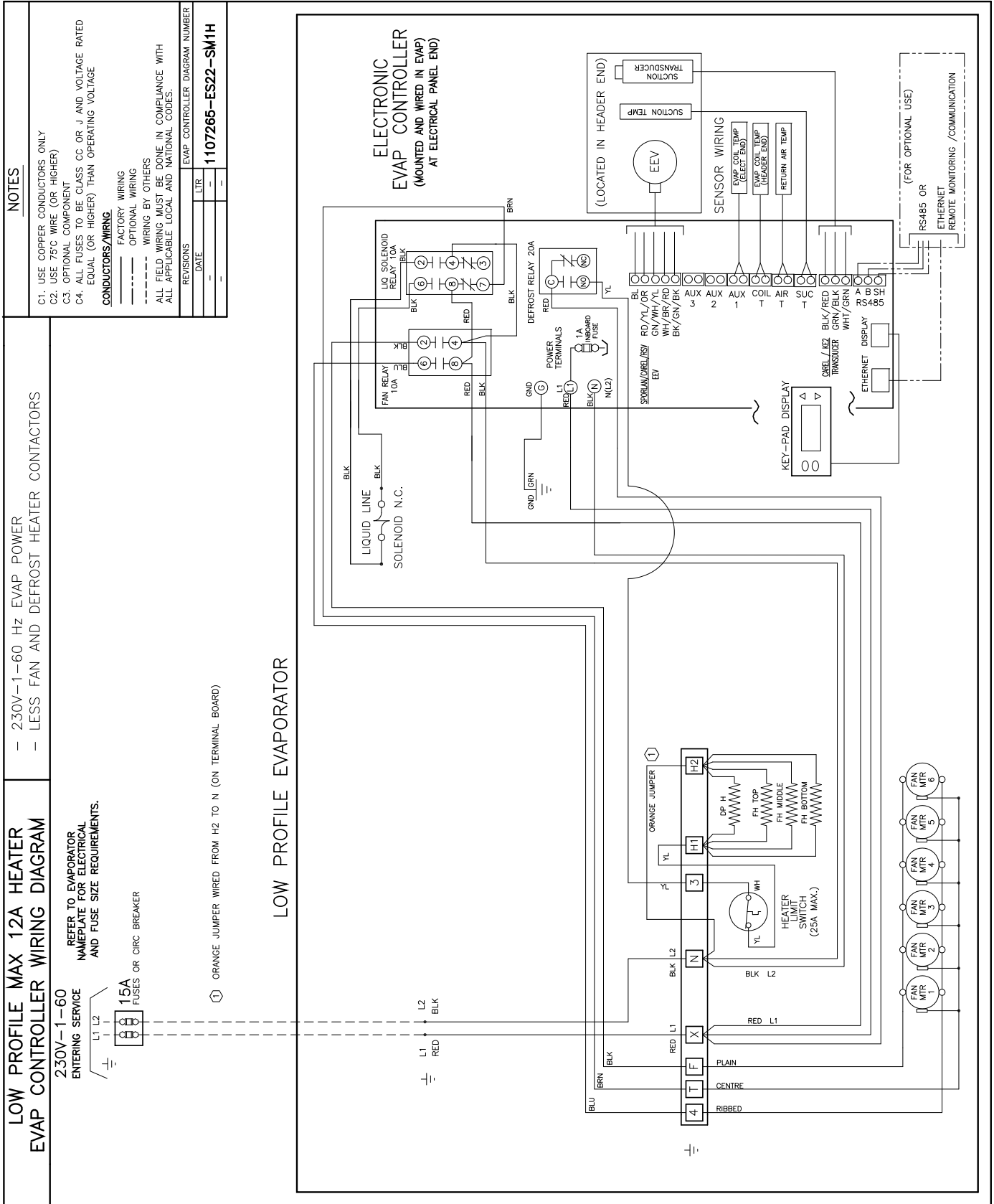
115/1/60: Air Defrost Models with ESP



208-230/1/60: Air Defrost Models with ESP



208-230/1/60: 1-3 Fan Electric Defrost Models with ESP Max.12A



208-230/1/60: 4-5 Fan Electric Defrost Models with ESP 16A to 20A

LOW PROFILE 16A TO 20A HEATER EVAP CONTROLLER WIRING DIAGRAM

230V-1-60 ENTERING SERVICE
 REFER TO EVAPORATOR NAMEPLATE FOR ELECTRICAL AND FUSE SIZE REQUIREMENTS.

FUSES OR CIRCUIT BREAKER
 20A FOR 16A HEATERS
 25A FOR 20A HEATERS

NOTES

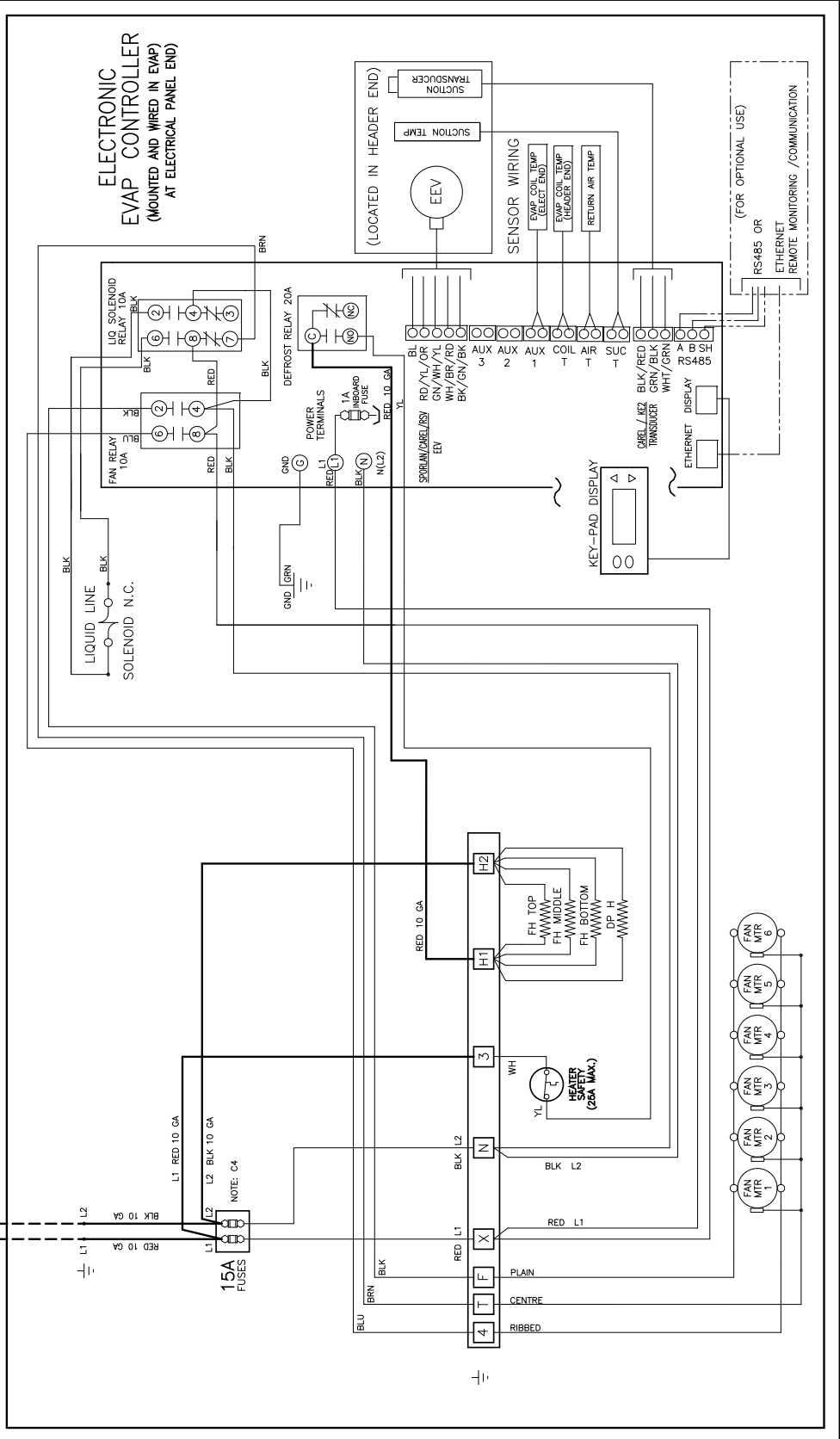
- C1. USE COPPER CONDUCTORS ONLY
- C2. USE 75°C WIRE (OR HIGHER)
- C3. OPTIONAL COMPONENT
- C4. ALL FUSES TO BE CLASS CC OR J AND VOLTAGE RATED EQUAL (OR HIGHER) THAN OPERATING VOLTAGE

CONDUCTORS/WIRING

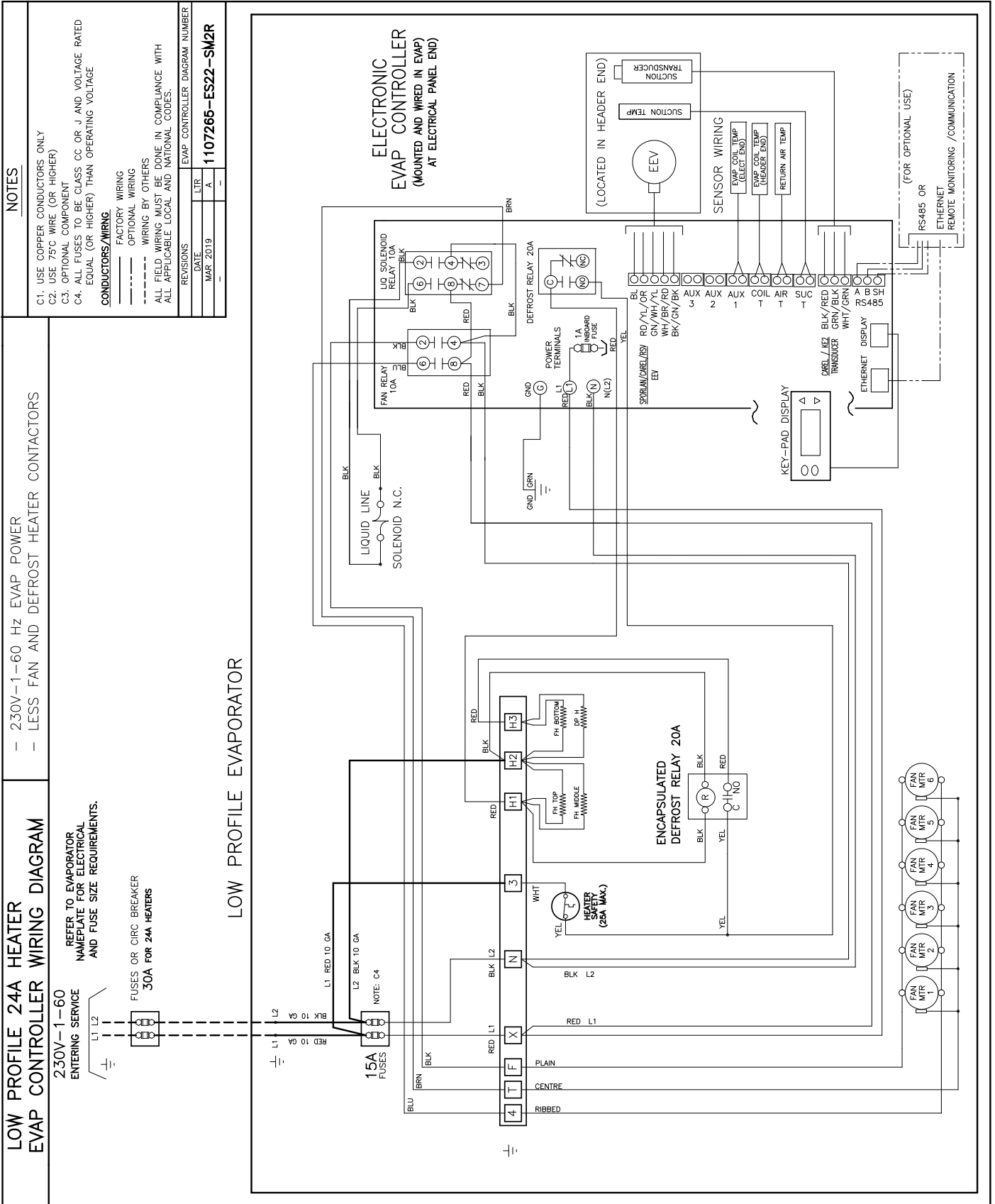
- FACTORY WIRING
 - - - - - OPTIONAL WIRING
 - WIRING BY OTHERS
- ALL FIELD WIRING MUST BE DONE IN COMPLIANCE WITH ALL APPLICABLE LOCAL AND NATIONAL CODES.

REVISIONS	EVAP CONTROLLER DIAGRAM NUMBER
DATE	LTR
MAR 2019	A
	1107265-ES22-SM2F

LOW PROFILE EVAPORATOR



208-230/1/60: 6 Fan Electric Defrost Models with ESP 24A



Annual Walk-In Energy Factor Ratings - Medium Temperature

If a numerical value is listed in the table below, the following statement applies to that corresponding model: "This refrigeration system is designed and certified for use in walk-in cooler applications."

Model TPLP	R404A	R407A	R448A
	R507	R407C	R449A
104M	9.00	9.00	9.00
106M	9.00	9.00	9.00
107M	9.00	9.00	9.00
209M	9.00	9.00	9.00
211M	9.00	9.00	9.00
214M	9.00	9.00	9.00
317M	9.00	9.00	9.00
320M	9.00	9.00	9.00
422M	9.00	9.00	9.00
427M	9.00	9.00	9.00
534M	9.00	9.00	9.00
640M	9.00	9.00	9.00

Annual Walk-In Energy Factor Ratings - Low Temperature

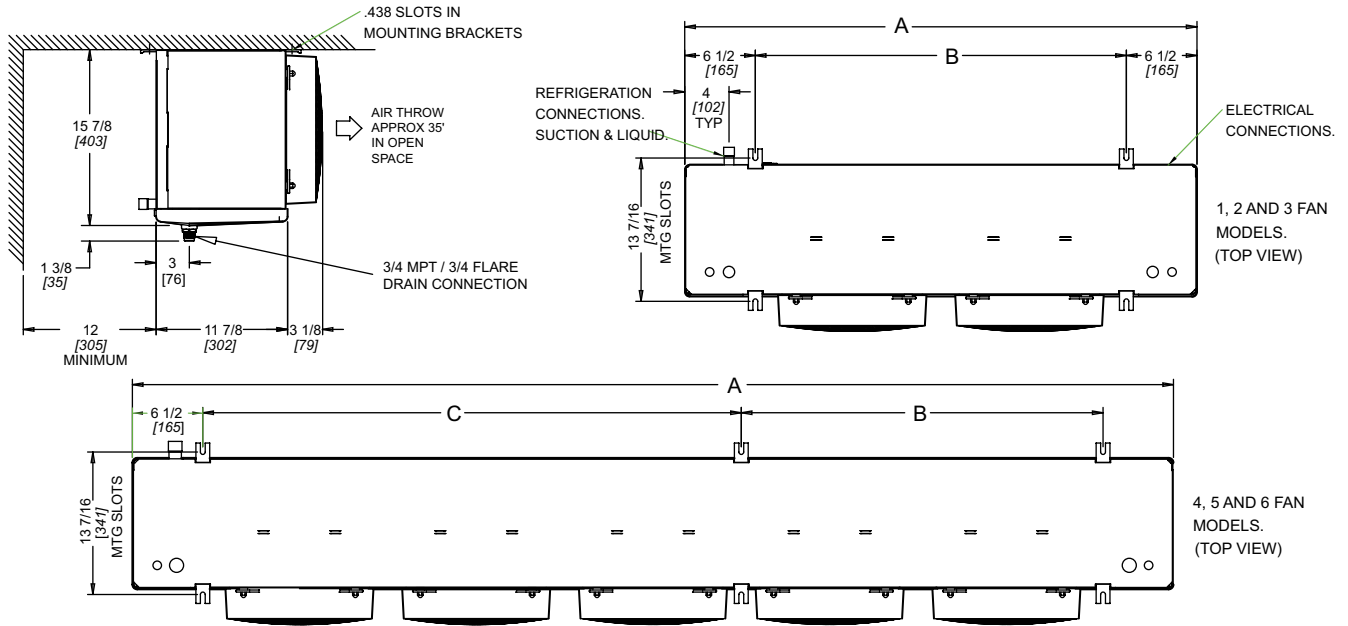
If a numerical value is listed in the table below, the following statement applies to that corresponding model: "This refrigeration system is designed and certified for use in walk-in freezer applications."

Model TPLP	R404A	R407A	R448A
	R507		R449A
104L	3.96	3.96	3.96
105L	3.97	3.97	3.97
106L	3.99	3.99	3.99
207L	3.99	3.99	3.99
209L	4.02	4.02	4.02
211L	4.04	4.04	4.04
314L	4.07	4.07	4.07
316L	4.10	4.10	4.10
418L	4.13	4.13	4.13
421L	4.15	4.15	4.15
526L	4.15	4.15	4.15
631L	4.15	4.15	4.15

Model TPLP	R404A	R407A	R448A
	R507		R449A
103V	3.95	3.95	3.95
104V	3.96	3.96	3.96
106V	3.98	3.98	3.98
207V	3.99	3.99	3.99
208V	4.01	4.01	4.01
211V	4.04	4.04	4.04
313V	4.06	4.06	4.06
316V	4.10	4.10	4.10
418V	4.13	4.13	4.13
421V	4.15	4.15	4.15
524V	4.15	4.15	4.15
627V	4.15	4.15	4.15

DIMENSIONAL DATA / SPECIFICATIONS

TPLP - PRE-ASSEMBLED EVAPORATORS



MODEL TPLP	NO. OF FANS	A		B		C		SUCTION CONNECTION (ID) SWEAT
		IN	mm	IN	mm	IN	mm	
104M	1	30 1/4	768	17 1/4	438	N/A	N/A	5/8
106M		30 1/4	768	17 1/4	438	N/A	N/A	5/8
107M		30 1/4	768	17 1/4	438	N/A	N/A	5/8
209M	2	46 1/4	1175	33 1/4	845	N/A	N/A	7/8
211M		46 1/4	1175	33 1/4	845	N/A	N/A	7/8
214M		46 1/4	1175	33 1/4	845	N/A	N/A	7/8
317M	3	62 1/4	1581	49 1/4	1251	N/A	N/A	7/8
320M		62 1/4	1581	49 1/4	1251	N/A	N/A	7/8
422M	4	78 1/4	1988	32 5/8	829	32 5/8	829	1 1/8
427M		78 1/4	1988	32 5/8	829	32 5/8	829	1 1/8
534M	5	94 1/4	2394	32 5/8	829	48 5/8	1235	1 3/8
640M	6	110 1/4	2800	48 5/8	1235	48 5/8	1235	1 3/8
104L	1	30 1/4	768	17 1/4	438	N/A	N/A	5/8
105L		30 1/4	768	17 1/4	438	N/A	N/A	5/8
106L		30 1/4	768	17 1/4	438	N/A	N/A	5/8
207L	2	46 1/4	1175	33 1/4	845	N/A	N/A	7/8
209L		46 1/4	1175	33 1/4	845	N/A	N/A	7/8
211L		46 1/4	1175	33 1/4	845	N/A	N/A	7/8
314L	3	62 1/4	1581	49 1/4	1251	N/A	N/A	7/8
316L		62 1/4	1581	49 1/4	1251	N/A	N/A	1 1/8
418L	4	78 1/4	1988	32 5/8	829	32 5/8	829	1 1/8
421L		78 1/4	1988	32 5/8	829	32 5/8	829	1 1/8
526L	5	94 1/4	2394	32 5/8	829	48 5/8	1235	1 3/8
631L	6	110 1/4	2800	48 5/8	1235	48 5/8	1235	1 3/8
103V	1	30 1/4	768	17 1/4	438	N/A	N/A	5/8
104V		30 1/4	768	17 1/4	438	N/A	N/A	5/8
106V		30 1/4	768	17 1/4	438	N/A	N/A	5/8
207V	2	46 1/4	1175	33 1/4	845	N/A	N/A	7/8
208V		46 1/4	1175	33 1/4	845	N/A	N/A	7/8
211V		46 1/4	1175	33 1/4	845	N/A	N/A	7/8
313V	3	62 1/4	1581	49 1/4	1251	N/A	N/A	7/8
316V		62 1/4	1581	49 1/4	1251	N/A	N/A	1 1/8
418V	4	78 1/4	1988	32 5/8	829	32 5/8	829	1 1/8
421V		78 1/4	1988	32 5/8	829	32 5/8	829	1 1/8
524V	5	94 1/4	2394	32 5/8	829	48 5/8	1235	1 3/8
627V	6	110 1/4	2800	48 5/8	1235	48 5/8	1235	1 3/8

Air Defrost Models

MODEL NUMBER TPLP							SHIPPING WEIGHT	
							LB.	kg
104MA							45	20
106MA	N/A	N/A	N/A	N/A	N/A	N/A	47	21
107MA							49	22
209MA	209MT	209MG	207LG	207LT	207VG	207VT	70	32
211MA	211MT	211MG	209LG	209LT	208VG	208VT	74	33
214MA	214MT	214MG	211LG	211LT	211VG	211VT	78	35
317MA	317MT	317MG	314LG	314LT	313VG	313VT	101	46
320MA	320MT	320MG	316LG	316LT	316VG	316VT	107	48
422MA	422MT	422MG	418LG	418LT	418VG	418VT	117	53
427MA	427MT	427MG	421LG	421LT	421VG	421VT	135	61
534MA	534MT	534MG	526LG	526LT	524VG	524VT	163	74
640MA	640MT	640MG	631LG	631LT	627VG	627VT	192	87

Electric Defrost Models

MODEL NUMBER TPLP			SHIPPING WEIGHT	
			LB.	kg
104ME	104LE	103VE	49	22
106ME	105LE	104VE	51	23
107ME	106LE	106VE	53	24
209ME	207LE	207VE	76	35
211ME	209LE	208VE	80	36
214ME	211LE	211VE	84	38
317ME	314LE	313VE	109	49
320ME	316LE	316VE	115	52
422ME	418LE	418VE	127	58
427ME	421LE	421VE	145	66
534ME	526LE	524VE	176	80
640ME	631LE	627VE	207	94

**FACTORY INSTALLED
THERMAL EXPANSION VALVE SELECTIONS**

TPLP - PRE-ASSEMBLED EVAPORATORS

Medium Temperature Models

Model TPLP	R404A R507		R407A R407C R448A R449A	
	SPORLAN	SOLENOID VALVES	SPORLAN	SOLENOID VALVES
104MA-S1D	EBQSE-AA-C	3	EBQVE-AAA-C	3
106MA-S1D	EBQSE-A-C	3	EBQVE-AA-C	3
107MA-S1D	EBQSE-A-C	3	EBQVE-AA-C	3
209MA-S1D	EBQSE-A-C	3	EBQVE-A-C	3
211MA-S1D	EBQSE-B-C	3	EBQVE-A-C	3
214MA-S1D	EBQSE-B-C	5	EBQVE-A-C	3
317MA-S1D	EBQSE-B-C	5	EBQVE-A-C	3
320MA-S1D	EBQSE-B-C	5	EBQVE-B-C	5
422MA-S1D	EBQSE-C-C	6	EBQVE-B-C	5
427MA-S1D	EBQSE-C-C	6	EBQVE-B-C	5
534MA-S1D	EBSSE-6-C	6	EBQVE-C-C	6
640MA-S1D	EBSSE-6-C	6	EBQVE-C-C	6

Above selections based on: 1) 100°F (38°C) vapor free liquid entering expansion valve,
2) 110°F (43°C) condensing temperature, 3) 9-12°F (4.4-6.7C) evaporator TD

Low Temperature 6FPI Models

Model TPLP	R404A R507		R407A R448A R449A	
	SPORLAN	SOLENOID VALVES	SPORLAN	SOLENOID VALVES
104LE-S2D	EBQSE-AA-ZP	3	EBQVE-AA-ZP	3
105LE-S2D	EBQSE-A-ZP	3	EBQVE-AA-ZP	3
106LE-S2D	EBQSE-A-ZP	3	EBQVE-AA-ZP	3
207LE-S2D	EBQSE-A-ZP	3	EBQVE-A-ZP	3
209LE-S2D	EBQSE-A-ZP	3	EBQVE-A-ZP	3
211LE-S2D	EBQSE-B-ZP	3	EBQVE-A-ZP	3
314LE-S2D	EBQSE-B-ZP	5	EBQVE-B-ZP	3
316LE-S2D	EBQSE-C-ZP	5	EBQVE-B-ZP	5
418LE-S2D	EBQSE-C-ZP	5	EBQVE-B-ZP	5
421LE-S2D	EBQSE-C-ZP	6	EBQVE-C-ZP	5
526LE-S2D	EBSSE-6-ZP	6	EBQVE-C-ZP	5
631LE-S2D	EBSSE-6-ZP	6	EBQVE-C-ZP	6

Above selections based on: 1) 100°F (38°C) vapor free liquid entering expansion valve,
2) 110°F (43°C) condensing temperature, 3) 9-12°F (4.4-6.7C) evaporator TD

Low Temperature 4FPI Models

Model TPLP	R404A R507		R407A R448A R449A	
	SPORLAN	SOLENOID VALVES	SPORLAN	SOLENOID VALVES
103VE-S2D	EBQSE-AA-ZP	3	EBQVE-AA-ZP	3
104VE-S2D	EBQSE-AA-ZP	3	EBQVE-AA-ZP	3
106VE-S2D	EBQSE-A-ZP	3	EBQVE-AA-ZP	3
207VE-S2D	EBQSE-A-ZP	3	EBQVE-A-ZP	3
208VE-S2D	EBQSE-A-ZP	3	EBQVE-A-ZP	3
211VE-S2D	EBQSE-A-ZP	3	EBQVE-A-ZP	3
313VE-S2D	EBQSE-B-ZP	5	EBQVE-B-ZP	3
316VE-S2D	EBQSE-B-ZP	5	EBQVE-B-ZP	3
418VE-S2D	EBQSE-C-ZP	5	EBQVE-B-ZP	3
421VE-S2D	EBQSE-C-ZP	6	EBQVE-B-ZP	5
524VE-S2D	EBSSE-6-ZP	6	EBQVE-C-ZP	5
627VE-S2D	EBSSE-6-ZP	6	EBQVE-C-ZP	5

Above selections based on: 1) 100°F (38°C) vapor free liquid entering expansion valve,
2) 110°F (43°C) condensing temperature, 3) 9-12°F (4.4-6.7C) evaporator TD

Models with ESP 

**Medium Temperature Air Or Electric Defrost
All Refrigerants**

MODEL TPLP	FACTORY INSTALLED NOZZLE	FACTORY INSTALLED EXPANSION VALVE	FACTORY INSTALLED LIQUID LINE SOLENOID VALVE
104M***	N/A	E2V9	E3
106M***	L1/2	E2V11	E3
107M***	L1/2	E2V14	E3
209M***	L3/4	E2V14	E3
211M***	L1	E2V14	E3
214M***	L1	E2V18	E3
317M***	L1-1/2	E2V18	E5
320M***	L1-1/2	E2V24	E5
422M***	L2	E2V24	E5
427M***	L2	E2V24	E5
534M***	L2-1/2	E2V35	E6
640M***	G3	E2V35	E6

*** Insert Air or Electric Defrost type. See nomenclature for details.

**Low Temperature Electric Defrost 6 FPI
All Refrigerants**

MODEL TPLP	FACTORY INSTALLED NOZZLE	FACTORY INSTALLED EXPANSION VALVE	FACTORY INSTALLED LIQUID LINE SOLENOID VALVE
104LE	L1/2	E2V9	E3
105LE	L3/4	E2V9	E3
106LE	L1	E2V11	E3
207LE	L1	E2V11	E3
209LE	L1-1/2	E2V11	E3
211LE	L2	E2V14	E3
314LE	L2	E2V14	E5
316LE	L3	E2V18	E5
418LE	L3	E2V18	E5
421LE	G4	E2V24	E5
526LE	G4	E2V24	E6
631LE	G5	E2V24	E6

**Low Temperature Electric Defrost 4 FPI
All Refrigerants**

MODEL TPLP	FACTORY INSTALLED NOZZLE	FACTORY INSTALLED E2V EXPANSION VALVE	FACTORY INSTALLED LIQUID LINE SOLENOID VALVE
103VE	L1/2	E2V9	E3
104VE	L3/4	E2V9	E3
106VE	L1	E2V9	E3
207VE	L1	E2V11	E3
208VE	L1-1/2	E2V11	E3
211VE	L2	E2V11	E3
313VE	L2	E2V14	E3
316VE	L2-1/2	E2V14	E5
418VE	J2-1/2	E2V18	E5
421VE	G3	E2V18	E5
524VE	G4	E2V24	E5
627VE	G5	E2V24	E6

Medium Temperature, 6 FPI

TEMP	FPI	# of Fans	Model TPLP	Voltage	1 X EVAPORATOR		2 X EVAPORATOR	
					Defrost Kit	Fuse Package	Defrost Kit	Fuse Package
ME - MEDIUM TEMPERATURE	6	1	104ME-S2D	208-230/1/60	DFK-02	FP-004	DFK-06	FP-008
			104ME-T3D	208-230/3/60	DFK-03	FP-013	DFK-07	FP-018
			106ME-S2D	208-230/1/60	DFK-02	FP-004	DFK-06	FP-008
			106ME-T3D	208-230/3/60	DFK-03	FP-013	DFK-07	FP-018
			107ME-S2D	208-230/1/60	DFK-02	FP-004	DFK-06	FP-008
			107ME-T3D	208-230/3/60	DFK-03	FP-013	DFK-07	FP-018
		2	209ME-S2D	208-230/1/60	DFK-02	FP-004	DFK-06	FP-008
			209ME-T3D	208-230/3/60	DFK-03	FP-013	DFK-07	FP-018
			211ME-S2D	208-230/1/60	DFK-02	FP-004	DFK-06	FP-008
			211ME-T3D	208-230/3/60	DFK-03	FP-013	DFK-07	FP-018
			214ME-S2D	208-230/1/60	DFK-02	FP-004	DFK-06	FP-008
			214ME-T3D	208-230/3/60	DFK-03	FP-013	DFK-07	FP-018
		3	317ME-S2D	208-230/1/60	DFK-02	FP-004	DFK-06	FP-008
			317ME-T3D	208-230/3/60	DFK-03	FP-013	DFK-07	FP-018
			320ME-S2D	208-230/1/60	DFK-02	FP-004	DFK-06	FP-008
			320ME-T3D	208-230/3/60	DFK-03	FP-013	DFK-07	FP-018
		4	422ME-S2D	208-230/1/60	DFK-02	FP-006	DFK-06	FP-015
			422ME-T3D	208-230/3/60	DFK-03	FP-013	DFK-07	FP-018
			427ME-S2D	208-230/1/60	DFK-02	FP-006	DFK-06	FP-015
			427ME-T3D	208-230/3/60	DFK-03	FP-013	DFK-07	FP-018
		5	534ME-S2D	208-230/1/60	DFK-02	FP-007	DFK-06	FP-010
			534ME-T3D	208-230/3/60	DFK-03	FP-014	DFK-07	FP-019
		6	640ME-S2D	208-230/1/60	DFK-02	FP-020	DFK-09	FP-021
			640ME-T3D	208-230/3/60	DFK-03	FP-014	DFK-07	FP-019

Low Temperature, 6 FPI

TEMP	FPI	# of Fans	Model TPLP	Voltage	1 X EVAPORATOR		2 X EVAPORATOR	
					Defrost Kit	Fuse Package	Defrost Kit	Fuse Package
LE - LOW TEMPERATURE	6	1	104LE-S2D	208-230/1/60	DFK-02	FP-004	DFK-06	FP-008
			104LE-T3D	208-230/3/60	DFK-03	FP-013	DFK-07	FP-018
			105LE-S2D	208-230/1/60	DFK-02	FP-004	DFK-06	FP-008
			105LE-T3D	208-230/3/60	DFK-03	FP-013	DFK-07	FP-018
			106LE-S2D	208-230/1/60	DFK-02	FP-004	DFK-06	FP-008
			106LE-T3D	208-230/3/60	DFK-03	FP-013	DFK-07	FP-018
		2	207LE-S2D	208-230/1/60	DFK-02	FP-004	DFK-06	FP-008
			207LE-T3D	208-230/3/60	DFK-03	FP-013	DFK-07	FP-018
			209LE-S2D	208-230/1/60	DFK-02	FP-004	DFK-06	FP-008
			209LE-T3D	208-230/3/60	DFK-03	FP-013	DFK-07	FP-018
			211LE-S2D	208-230/1/60	DFK-02	FP-004	DFK-06	FP-008
			211LE-T3D	208-230/3/60	DFK-03	FP-013	DFK-07	FP-018
		3	314LE-S2D	208-230/1/60	DFK-02	FP-004	DFK-06	FP-008
			314LE-T3D	208-230/3/60	DFK-03	FP-013	DFK-07	FP-018
			316LE-S2D	208-230/1/60	DFK-02	FP-004	DFK-06	FP-008
			316LE-T3D	208-230/3/60	DFK-03	FP-013	DFK-07	FP-018
		4	418LE-S2D	208-230/1/60	DFK-02	FP-006	DFK-06	FP-015
			418LE-T3D	208-230/3/60	DFK-03	FP-013	DFK-07	FP-018
			421LE-S2D	208-230/1/60	DFK-02	FP-006	DFK-06	FP-015
			421LE-T3D	208-230/3/60	DFK-03	FP-013	DFK-07	FP-018
		5	526LE-S2D	208-230/1/60	DFK-02	FP-007	DFK-06	FP-010
			526LE-T3D	208-230/3/60	DFK-03	FP-014	DFK-07	FP-019
		6	631LE-S2D	208-230/1/60	DFK-02	FP-020	DFK-09	FP-021
			631LE-T3D	208-230/3/60	DFK-03	FP-014	DFK-07	FP-019

Low Temperature, 4 FPI

TEMP	FPI	# of Fans	Model TPLP	Voltage	1 X EVAPORATOR		2 X EVAPORATOR	
					Defrost Kit	Fuse Package	Defrost Kit	Fuse Package
VE - LOW TEMPERATURE	4	1	103VE-S2D	208-230/1/60	DFK-02	FP-004	DFK-06	FP-008
			103VE-T3D	208-230/3/60	DFK-03	FP-013	DFK-07	FP-018
			104VE-S2D	208-230/1/60	DFK-02	FP-004	DFK-06	FP-008
			104VE-T3D	208-230/3/60	DFK-03	FP-013	DFK-07	FP-018
			106VE-S2D	208-230/1/60	DFK-02	FP-004	DFK-06	FP-008
			106VE-T3D	208-230/3/60	DFK-03	FP-013	DFK-07	FP-018
		2	207VE-S2D	208-230/1/60	DFK-02	FP-004	DFK-06	FP-008
			207VE-T3D	208-230/3/60	DFK-03	FP-013	DFK-07	FP-018
			208VE-S2D	208-230/1/60	DFK-02	FP-004	DFK-06	FP-008
			208VE-T3D	208-230/3/60	DFK-03	FP-013	DFK-07	FP-018
			211VE-S2D	208-230/1/60	DFK-02	FP-004	DFK-06	FP-008
			211VE-T3D	208-230/3/60	DFK-03	FP-013	DFK-07	FP-018
		3	313VE-S2D	208-230/1/60	DFK-02	FP-004	DFK-06	FP-008
			313VE-T3D	208-230/3/60	DFK-03	FP-013	DFK-07	FP-018
			316VE-S2D	208-230/1/60	DFK-02	FP-004	DFK-06	FP-008
			316VE-T3D	208-230/3/60	DFK-03	FP-013	DFK-07	FP-018
		4	418VE-S2D	208-230/1/60	DFK-02	FP-006	DFK-06	FP-015
			418VE-T3D	208-230/3/60	DFK-03	FP-013	DFK-07	FP-018
			421VE-S2D	208-230/1/60	DFK-02	FP-006	DFK-06	FP-015
			421VE-T3D	208-230/3/60	DFK-03	FP-013	DFK-07	FP-018
		5	524VE-S2D	208-230/1/60	DFK-02	FP-007	DFK-06	FP-010
			524VE-T3D	208-230/3/60	DFK-03	FP-014	DFK-07	FP-019
		6	627VE-S2D	208-230/1/60	DFK-02	FP-020	DFK-09	FP-021
			627VE-T3D	208-230/3/60	DFK-03	FP-014	DFK-07	FP-019

**For info on matched
Trenton condensing units,
visit
www.t-rp.com/cu**

**Defrost Kit &
Fuse Package
Online Selection Tool:
www.t-rp.com/dfk**

Defrost Kits

Number of Evaps.	Kit Part Number	Description
1	DFK-01	Time Clock, HtrCont - 1x 40A (3P), FB 1x 30A (1P)
1	DFK-02	Time Clock, HtrCont - 1x 40A (3P), FB 1x 30A (2P)
1	DFK-03	Time Clock, HtrCont - 1x 40A (3P), FB 1x 30A (3P)
1	DFK-04	Time Clock, HtrCont - 1x 40A (3P), FB 1x 60A (2P)
2	DFK-05	Time Clock, HtrCont - 1x 40A (3P), FB 2x 30A (1P)
2	DFK-06	Time Clock, HtrCont - 1x 40A (3P), FB 2x 30A (2P)
2	DFK-07	Time Clock, HtrCont - 1x 40A (3P), FB 2x 30A (3P)
2	DFK-08	Time Clock, HtrCont - 1x 50A (3P), FB 2x 60A (2P)
2	DFK-09	Time Clock, HtrCont - 1x 50A (3P), FB 2x 30A (2P)
1	DFK-10	Time Clock, HtrCont - 1x 40A (3P), FanCont - 1x 40A (3P), FB 2x 30A (2P)
1	DFK-11	Time Clock, HtrCont - 1x 40A (3P), FanCont - 1x 40A (3P), FB 2x 30A (3P)
2	DFK-12	Time Clock, HtrCont - 1x 40A (3P), FanCont - 1x 40A (3P), FB 4x 30A (2P)
2	DFK-13	Time Clock, HtrCont - 1x 40A (3P), FanCont - 1x 40A (3P), FB 4x 30A (3P)
1	DFK-14	Time Clock, HtrCont - 1x 40A (3P), FanCont - 1x 40A (3P), FB 1x 30A (2P), FB 1x 30A (3P)
1	DFK-15	Time Clock, HtrCont - 1x40A (3P), FanCont - 1x 40A (3P), FB 1x 30A (2P), FB 1x 60A (2P)
1	DFK-16	Time Clock, HtrCont - 1x 40A (3P), FanCont - 1x 40A (3P), FB 1x 30A (2P), FB 1x 60A (3P)
1	DFK-17	Time Clock, HtrCont - 1x 40A (3P), FanCont - 1x 40A (3P), FB 1x 30A (3P), FB 1x 60A (3P)
2	DFK-18	Time Clock, HtrCont - 1x 40A (3P), FanCont - 1x 40A (3P), FB 2x 30A (2P), FB 2x 30A (3P)
2	DFK-19	Time Clock, HtrCont - 1x 50A (3P), FanCont - 1x 40A (3P), FB 4x 30A (2P)
2	DFK-20	Time Clock, HtrCont - 1x 50A (3P), FanCont - 1x 40A (3P), FB 4x 30A (3P)
1	DFK-21	Time Clock, HtrCont - 1x 50A (3P), FanCont - 1x 40A (3P), FB 1x 30A (2P), FB 1x 60A (2P)
1	DFK-22	Time Clock, HtrCont - 1x 50A (3P), FanCont - 1x 40A (3P), FB 1x 30A (3P), FB 1x 60A (3P)
2	DFK-23	Time Clock, HtrCont - 1x 50A (3P), FanCont - 1x 40A (3P), FB 2x 30A (2P), FB 2x 30A (3P)
2	DFK-24	Time Clock, HtrCont - 1x 50A (3P), FanCont - 1x 40A (3P), FB 2x 30A (3P), FB 2x 60A (3P)
1	DFK-25	Time Clock, HtrCont - 2x 40A (3P), FanCont - 1x 40A (3P), FB 1x 30A (2P), FB 2x 60A (2P)
1	DFK-26	Time Clock, HtrCont - 2x 40A (3P), FanCont - 1x 40A (3P), FB 1x 30A (3P), FB 2x 60A (3P)
2	DFK-27	Time Clock, HtrCont - 2x 40A (3P), FanCont - 1x 40A (3P), FB 2x 30A (2P), FB 2x 60A (2P)
2	DFK-28	Time Clock, HtrCont - 2x 40A (3P), FanCont - 1x 40A (3P), FB 2x 30A (2P), FB 2x 60A (3P)
2	DFK-29	Time Clock, HtrCont - 2x 40A (3P), FanCont - 1x 40A (3P), FB 2x 30A (3P), FB 2x 60A (3P)
2	DFK-30	Time Clock, HtrCont - 2x 40A (3P), FanCont - 1x 50A (3P), FB 2x 30A (2P), FB 2x 60A (3P)
1	DFK-31	Time Clock, HtrCont - 2x 50A (3P), FanCont - 1x 40A (3P), FB 1x 30A (3P), FB 2x 60A (3P)
2	DFK-32	Time Clock, HtrCont - 2x 50A (3P), FanCont - 1x 40A (3P), FB 2x 30A (2P), FB 2x 60A (2P)
2	DFK-33	Time Clock, HtrCont - 2x 50A (3P), FanCont - 1x 40A (3P), FB 2x 30A (3P), FB 2x 60A (3P)
2	DFK-34	Time Clock, HtrCont - 4x 40A (3P), FanCont - 1x 40A (3P), FB 2x 30A (2P), FB 4x 60A (2P)
2	DFK-35	Time Clock, HtrCont - 4x 40A (3P), FanCont - 1x 40A (3P), FB 2x 30A (3P), FB 4x 60A (3P)
2	DFK-36	Time Clock, HtrCont - 4x 40A (3P), FanCont - 1x 50A (3P), FB 2x 30A (2P), FB 4x 60A (2P)
2	DFK-37	Time Clock, HtrCont - 4x 40A (3P), FanCont - 1x 50A (3P), FB 2x 30A (3P), FB 4x 60A (3P)
2	DFK-38	Time Clock, HtrCont - 4x 50A (3P), FanCont - 1x 50A (3P), FB 2x 30A (3P), FB 4x 60A (3P)
1	DFK-39	Time Clock, HtrCont1 - 1x 40A (3P), HtrCont2 - 2x 50A (3P), FanCont - 1x 40A (3P), FB 4x 60A (3P)

NOTE: HtrCont = Heater Contactor, FanCont = Fan Contactor, FB = Fuse Block, (1P), (2P), (3P) = Number of Poles

Fuse Packages

Package Part Number	Description
FP-001	FUSES (1) 15AMP
FP-002	FUSES (1) 20AMP
FP-003	FUSES (1) 25AMP
FP-004	FUSES (2) 15AMP
FP-006	FUSES (2) 20AMP
FP-007	FUSES (2) 25AMP
FP-008	FUSES (4) 15AMP
FP-010	FUSES (4) 25AMP
FP-012	FUSES (2) 35AMP
FP-013	FUSES (3) 15AMP
FP-014	FUSES (3) 20AMP
FP-015	FUSES (4) 20AMP
FP-016	FUSES (4) 20AMP (6) 45AMP
FP-017	FUSES (4) 35AMP
FP-018	FUSES (6) 15AMP
FP-019	FUSES (6) 20AMP
FP-020	FUSES (2) 30AMP
FP-021	FUSES (4) 30AMP
FP-022	FUSES (8) 15AMP
FP-023	FUSES (2) 25AMP (3) 50AMP
FP-024	FUSES (2) 20AMP (3) 45AMP
FP-025	FUSES (6) 20AMP (6) 60AMP
FP-026	FUSES (6) 15AMP (12) 40AMP
FP-027	FUSES (6) 15AMP (6) 40AMP
FP-028	FUSES (6) 20AMP (12) 40AMP
FP-029	FUSES (6) 15AMP (6) 50AMP
FP-030	FUSES (6) 15AMP (6) 45AMP
FP-031	FUSES (6) 15AMP (6) 35AMP
FP-032	FUSES (6) 15AMP (6) 30AMP
FP-033	FUSES (6) 25AMP (12) 50AMP
FP-034	FUSES (6) 20AMP (12) 35AMP
FP-035	FUSES (4) 25AMP (6) 50AMP
FP-036	FUSES (6) 25AMP (12) 60AMP
FP-037	FUSES (6) 20AMP (12) 60AMP
FP-038	FUSES (6) 20AMP (12) 50AMP
FP-039	FUSES (6) 20AMP (12) 45AMP
FP-040	FUSES (6) 15AMP (12) 45AMP
FP-041	FUSES (5) 15AMP
FP-042	FUSES (10) 15AMP
FP-043	FUSES (3) 25AMP (6) 60AMP
FP-044	FUSES (3) 20AMP (6) 60AMP
FP-045	FUSES (3) 20AMP (6) 50AMP
FP-046	FUSES (3) 25AMP (6) 45AMP
FP-047	FUSES (3) 15AMP (6) 45AMP
FP-048	FUSES (4) 15AMP (4) 45AMP
FP-049	FUSES (4) 15AMP (4) 40AMP
FP-050	FUSES (3) 15AMP (3) 60AMP
FP-051	FUSES (4) 20AMP (6) 50AMP
FP-052	FUSES (4) 15AMP (6) 45AMP
FP-053	FUSES (4) 15AMP (6) 30AMP

Package Part Number	Description
FP-054	FUSES (3) 15AMP (6) 35AMP
FP-055	FUSES (2) 15AMP (2) 45AMP
FP-056	FUSES (2) 15AMP (2) 40AMP
FP-057	FUSES (2) 20AMP (3) 50AMP
FP-058	FUSES (2) 15AMP (3) 45AMP
FP-059	FUSES (2) 15AMP (3) 30AMP
FP-060	FUSES (2) 15AMP (2) 35AMP
FP-061	FUSES (2) 15AMP (2) 50AMP
FP-062	FUSES (2) 15AMP (2) 60AMP
FP-063	FUSES (2) 15AMP (3) 25AMP
FP-064	FUSES (2) 15AMP (3) 35AMP
FP-065	FUSES (2) 15AMP (3) 40AMP
FP-066	FUSES (2) 15AMP (3) 20AMP
FP-067	FUSES (4) 15AMP (4) 35AMP
FP-068	FUSES (4) 15AMP (4) 50AMP
FP-069	FUSES (4) 15AMP (4) 60AMP
FP-070	FUSES (4) 15AMP (6) 25AMP
FP-071	FUSES (4) 15AMP (6) 35AMP
FP-072	FUSES (4) 15AMP (6) 40AMP
FP-073	FUSES (4) 15AMP (6) 20AMP
FP-074	FUSES (3) 20AMP (3) 60AMP
FP-075	FUSES (3) 20AMP (6) 35AMP
FP-076	FUSES (3) 25AMP (6) 50AMP
FP-077	FUSES (3) 35AMP (9) 45AMP
FP-078	FUSES (3) 15AMP (3) 35AMP
FP-079	FUSES (3) 15AMP (3) 45AMP
FP-080	FUSES (3) 15AMP (3) 50AMP
FP-081	FUSES (3) 20AMP (6) 40AMP
FP-082	FUSES (3) 15AMP (3) 40AMP
FP-083	FUSES (3) 15AMP (6) 40AMP
FP-084	FUSES (6) 15AMP (6) 60AMP
FP-085	FUSES (6) 15AMP (12) 35AMP
FP-086	FUSES (3) 35AMP (3) 45AMP (6) 60AMP
FP-087	FUSES (4) 20AMP (4) 40AMP (4) 50AMP
FP-088	FUSES (4) 15AMP (4) 35AMP (4) 40AMP
FP-089	FUSES (2) 20AMP (2) 40AMP (2) 50AMP
FP-090	FUSES (2) 15AMP (2) 35AMP (2) 40AMP
FP-091	FUSES (2) 20AMP (2) 35AMP (2) 40AMP
FP-092	FUSES (2) 25AMP (2) 40AMP (2) 50AMP
FP-093	FUSES (4) 20AMP (4) 35AMP (4) 40AMP
FP-094	FUSES (6) 15AMP (6) 25AMP
FP-095	FUSES (3) 15AMP (3) 25AMP
FP-096	FUSES (3) 15AMP (3) 30AMP
FP-097	FUSES (4) 15AMP (4) 30AMP
FP-098	FUSES (4) 15AMP (4) 25AMP
FP-099	FUSES (4) 15AMP (4) 20AMP
FP-100	FUSES (2) 15AMP (2) 20AMP
FP-101	FUSES (2) 15AMP (2) 25AMP
FP-102	FUSES (2) 15AMP (2) 30AMP
FP-103	FUSES (4) 25AMP (4) 40AMP (4) 50AMP

NOTE: FUSES 30AMP and Below - Class CC Type, FUSES 35AMP and Above - Class J Type

INSTALLATION

The installation and start-up of evaporators should only be performed by qualified refrigeration mechanics. This equipment should be installed in accordance with all applicable codes, ordinances and local by-laws.

INSPECTION

Inspect all equipment before unpacking for visible signs of damage or loss. Check shipping list against material received to ensure shipment is complete.

IMPORTANT: Remember, you, the consignee, must make any claim necessary against the transportation company. Shipping damage or missing parts, when discovered at the outset, will prevent later unnecessary and costly delays.

If damage or loss during transport is evident, make claim to carrier, as this will be their responsibility, not the manufacturer's. Should carton be damaged, but damage to equipment is not obvious, a claim should be filed for "concealed damage" with the carrier.

IMPORTANT: The electrical characteristics of the unit should be checked at this time to make sure they correspond to those ordered and to electrical power available at the job site.

Save all shipping papers, tags and instruction sheets for reference by installer and owner.

APPLICATION

TPLP evaporators are designed for walker-in cooler and freezer applications used with a wide range of refrigerants. For room temperatures above 35°F (2°C) AND evaporating temperatures above 26°F (-3°C), positive defrosting means (electric) may not be required, otherwise, electric defrost defrost models should be used. Electric defrost models come with defrost termination and fan delay as standard to control the defrost cycle termination and fan delay, while defrost initiation means (e.g. defrost timer) is not included.

The coil must not be exposed to any abnormal atmospheric or acidic environments. This may result in corrosion to the cabinet and possible coil failure (leaks).

LOCATION

The unit location in the room should be selected to ensure uniform air distribution throughout the entire space to be refrigerated. Be sure that the product does not obstruct the free circulation of air. Allow a minimum of 24" clearance at each end. Do not locate evaporators over doors. Consideration should be given to the coil location in order to minimize the piping run length to the condensing unit and floor drain.

EXPANSION VALVE (TXV) PRE-SELECTED

Locate the expansion valve bulb on a horizontal length of suction line preferably 3 to 6 inches from the suction header. Locate the bulb at 4 or 8 o'clock position and insulate with a waterproof type of insulation. Clamp the bulb to ensure 100% contact of the bulb with the suction line.

After following the manufacturer's installation instructions and after the room has reached the desired temperature the valve superheat should be checked. This will confirm that the evaporator is operating properly and performing to maximum efficiency. The superheat should be around 6 (3.3°C) to 8°F (4.4°C) for a 10 to 12°F T.D (5.6 to 6.7°C). Too high or low a super heat will result in unsatisfactory system performance and possible compressor problems.

MOUNTING

Refer to dimensional drawing for recommended mounting arrangements. Ensure adequate clearance is provided behind the coil as well as each end. The evaporators may be mounted flush with ceiling with bolts, or hanging down with rod hangers. When using rod hangers, allow adequate space between the top of the unit and the ceiling for cleaning to comply with NSF Standard 7.

Ensure that the ceiling is level since the drain pan has been sloped for drainage during the defrost cycle.

DRAIN LINE

The drain line should be run from the drain connection, sloping at least 1" (25 mm) per foot and should have the size at least as large as the drain connection. A P-Trap in a warm area outside the room must be provided to allow proper draining through the tubing. Connection should be made to proper drainage facilities that comply with local regulations.

To prevent freeze-up when the temperature of the refrigerated space is 35°F (2°C) or lower, the drain line should be heated along its run inside the cold room. The heated drain line should be insulated. It is recommended that the heater be energized at all times. A heat input of 20 watts per foot in a 28°F (-2°C) room and 30 watts per foot for -20°F (-29°C) rooms, is satisfactory. Drain line heaters are not required for constant room temperature above 35°F (2°C). Always trap evaporator drain line individually to prevent vapor migration.

Ensure that the drain line has sufficient slope for proper drainage (prevention of ice build up/blockage in pan).

PIPING

Refrigeration grade piping must be used for all field refrigeration piping. Refrigerant line sizes are important and **may not** be the same size as the coil connections. Consult ASHRAE handbook or other similar reference book for proper line sizing.

Refrigerant piping and control system should be designed to prevent possible liquid slugging (from oil or refrigerant) of the compressors on start-up after the defrost cycle. Also, it should prevent oil logging and minimize refrigerant pressure drop.

WIRING

Wire system in accordance with governing standards and local codes. See data and wiring diagrams on pages 4 to 20 for typical wiring arrangement. Electrical wiring is to be sized in accordance with minimum circuit ampacity rating (MCA). Size fuses used must not exceed the Maximum Fuse Size ratings.

For ease of identifying the proper wiring terminal, unit wiring is color coded and terminal block connections are identified.

When **fan delay thermostats** (combination fan delay and defrost termination) are installed, on start-up, the fans do not operate until the coil temperature is reduced to approximately 25°F (-4°C). It is normal for the fans to cycle a few times until the room temperature is brought down. At higher evaporating temperatures this control may not close and therefore should either be by-passed temporarily or replaced with an adjustable type. (set for a higher temperature cut-in point).

MAINTENANCE

The unit should be periodically inspected for any dirt or ice build-up on the fin surface and cleaned if necessary with a soft whisk or brush. Also ensure coils inner (and outer) drain pans do not have any ice build-up from improper defrost operation. When replacing heater elements first remove heater retainer brackets and heater clips.

SYSTEM CHECK

Before Start-Up:

1. All wiring should be in accordance with local codes.
2. Refrigerant lines should be properly sized.
3. Thorough evacuation and dehydration has been performed.
4. The suction, discharge, and receiver service valves must be open.
5. The system preferably include a liquid line filter drier moisture indicator and suction filter.
6. Pour enough water into the drain pan to allow a good check on drainage and seal the trap.

After Start-Up:

1. Check the oil level to be sure the oil charge is correct.
2. On initial start up the fans do not start until coil temperature is pulled down to approximately 25°F (-4°C) on the coil. Also, it is normal for the fan to cycle a few times until the room temperature is pulled down.
3. If necessary, temporarily by-pass fan delay control (to run fans until room temp is lowered).
4. Be sure that the expansion valve is properly set to provide the correct amount of superheat.
5. After the box temperature is close to reaching the desired temperature, the evaporator superheat must be checked and adjustment made if necessary. In general, evaporators running with a TD of 10°F (5.6°C) should have a superheat reading of 6° to 8°F (3.3°C to 4.4°C). For evaporators with another T.D., the general rule is that the superheat should be around 60 to 80% of T.D.
6. Heavy moisture loads are usually encountered when starting the system for the first time. This may cause a rapid build-up of frost on the evaporator. During the initial pull down, we suggest that the frost build-up be watched and defrosted manually as required.
7. Observe that the system goes through at least one complete DEFROST CYCLE.



Visit
www.t-rp.com/esp
 for Quick Start Guide, Operation Manual, etc

System	
Model Number	Date of Start-Up
Serial Number	Service Contractor
Refrigerant	Phone
Electrical Supply	E-mail



PRODUCT SUPPORT

web: www.t-rp.com/tplp
email: evaps@t-rp.com
call: 1-844-893-3222 x520




TROUBLESHOOTING

email: troubleshooting@t-rp.com
call: 1-844-893-3222 x529




SERVICE PARTS

web: www.t-rp.com/parts
email: parts@t-rp.com
call: 1-844-893-3222 x504




WARRANTY

web: www.t-rp.com/warranty
email: warranty@t-rp.com
call: 1-844-893-3222 x507



ORDERS

email: orders@t-rp.com
call: 1-844-893-3222 x501



SHIPPING

email: shipping@t-rp.com
call: 1-844-893-3222 x503

HOW CAN WE HELP YOU?
visit www.t-rp.com/contact

Service Parts List Label To Be Attached *HERE*



Trenton Refrigeration
Brantford, ON • Longview, TX
1-800-463-9517 info@t-rp.com www.t-rp.com

